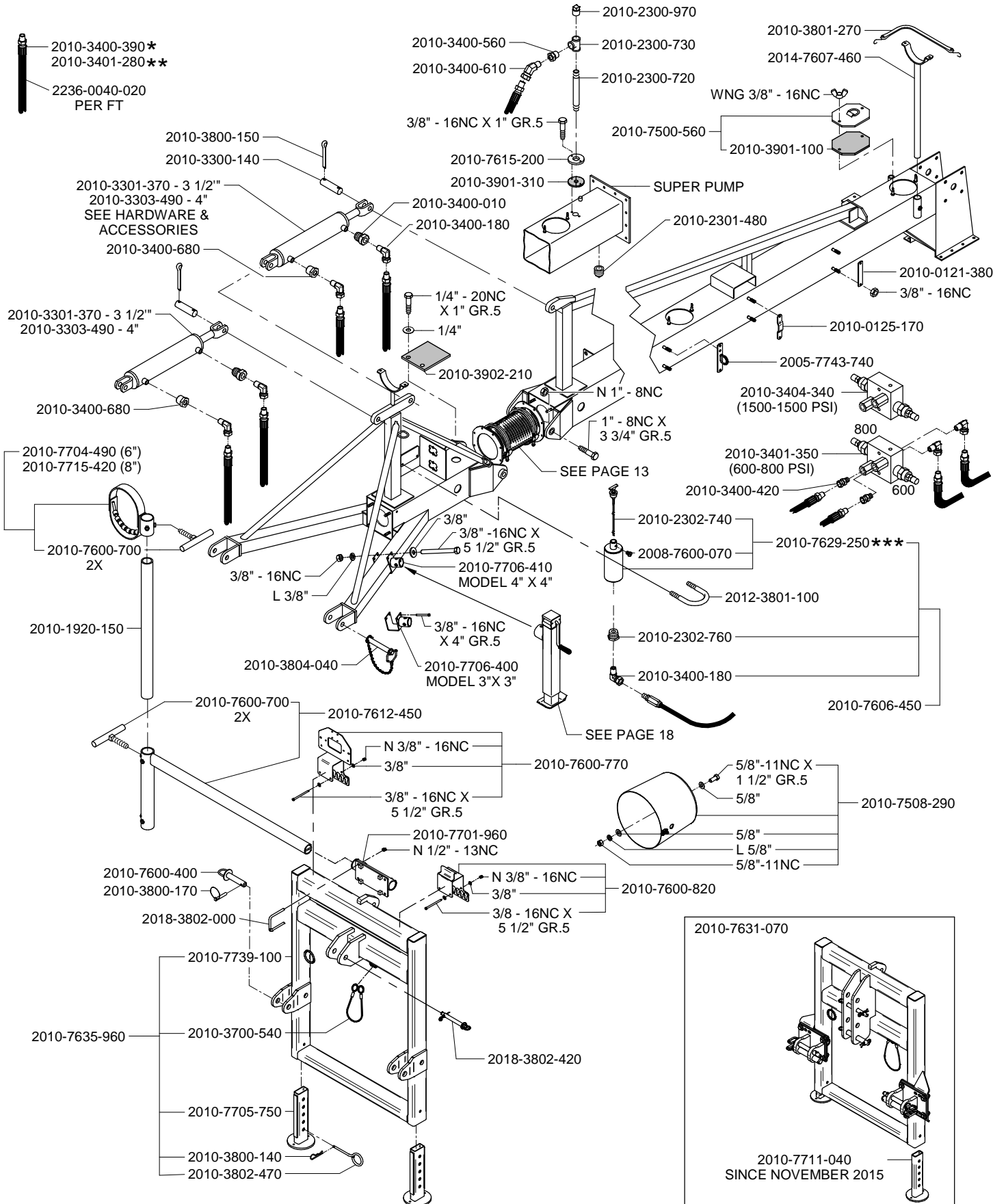


Table of contents.....	01
3-Point Hitch Articulated Pump.....	03
Drive Shaft.....	04
Drive Shaft - Old models.....	05
Gear Box #300 - 3-Point Hitch articulated Agi-pompe.....	06
Bearing Housing - 3-Point Hitch articulated Super Pump.....	07
Propeller, Impeller, Housing & Bottom Plate - 26" - Agi-pompe.....	08
Impeller, Housing & Bottom Plate - Super Pump.....	09
6" Directional Valve & Agitation Nozzle.....	10
6" Directional Valve & Agitation Nozzle - Old Model.....	11
8" Directional Valve & Agitation Nozzle.....	12
3-Point Hitch articulated 32' Super Pump.....	13
Drive Shaft - 3-Point Hitch articulated 32' Super Pump.....	14
Impeller, Housing & Bottom Plate - 3-Point Hitch articulated 32' Super Pump.....	15
3-Point Hitch articulated 32' Super Pump.....	16
Articulated agi pompe.....	17
Articulated housing.....	18
Option Wheels and Tow Bar Kit.....	19
Jacks.....	20
Hydraulic Control and Solenoid Valves.....	21
Remotes.....	22
Gear Box #350.....	23
Timing Belt Speed Reducer.....	24
Oil cooling.....	25
Lubrication Oil Tank.....	A
Hydraulic motor.....	B
Remotes before february 2017.....	C

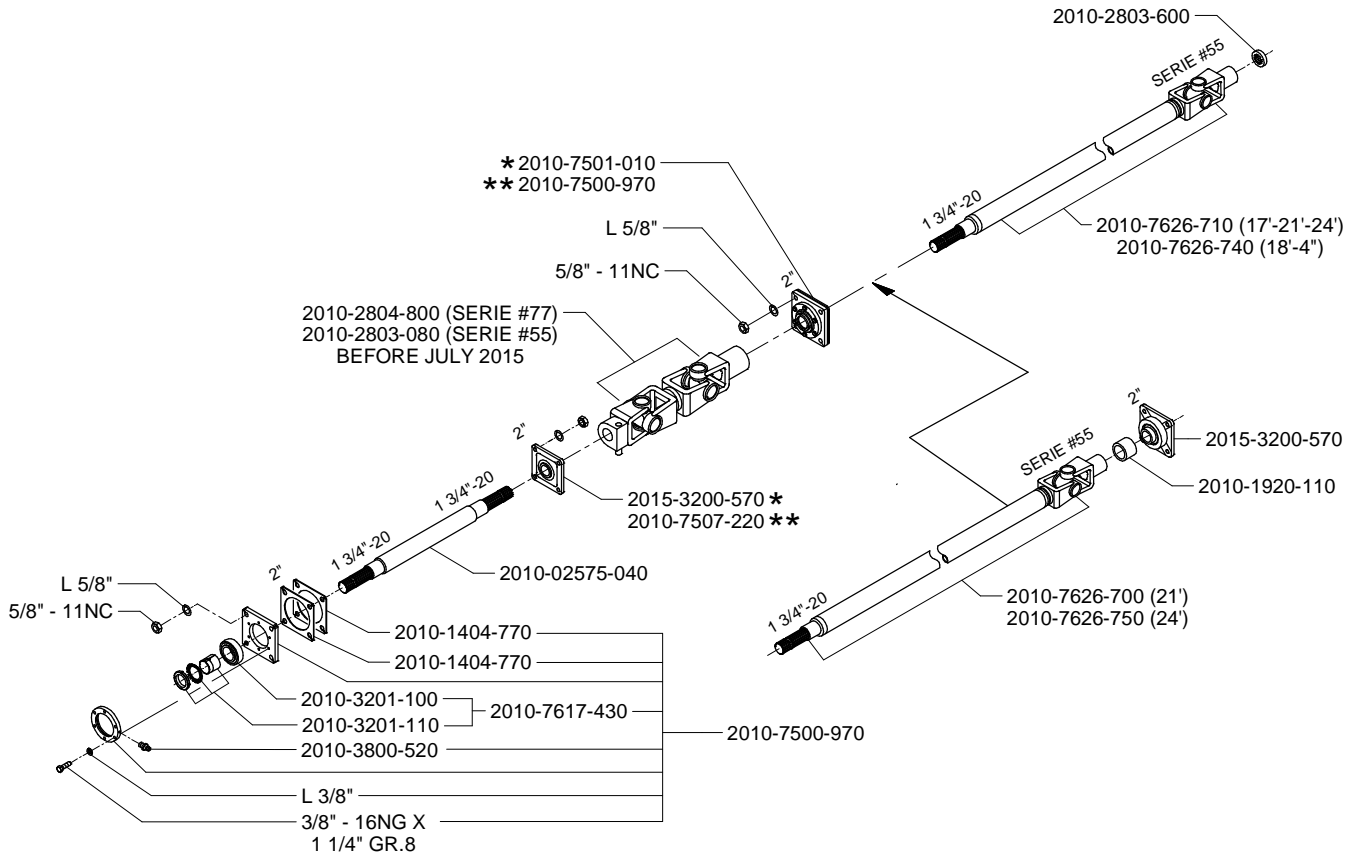
Hardware Identification	
Type	Designation
Hexagonal bolt	-
Carriage bolt	CB
Square head bolt	SB
Socket head cap screw	SCS
Socket head set screw	SSS
Flat head cap screw	FCS
Hexagon nut	-
Hexagon nylon lock nut	N
Hexagon oval lock nut	OVL
Hexagon tri-lock nut	TRI
Castle nut	CSL
Flange nut	FLN
Wing nut	WNG
Flat washer	-
Lock washer	L
SAE washer	SAE
Large ext. dia. washer	LD
Small ext. dia. washer	SD
Stainless steel bolts parts	SS

ARTICULATED PUMP

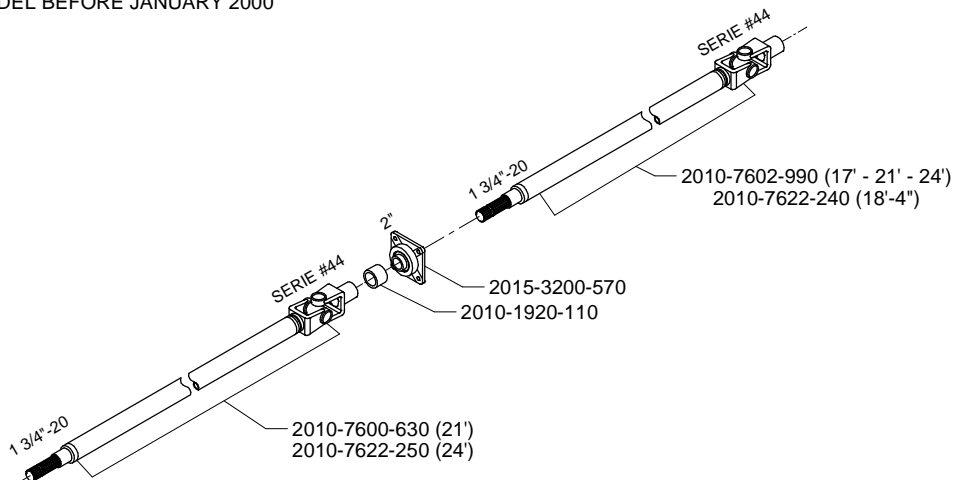


- * SCREW-ON COUPLING
- ** CRIMPED COUPLING (FACTORY MOUNTED)
- *** REPLACES OLD MODEL (SEE APPENDICE A)

SEE HARDWARE & ACCESSORIES FOR DRIVE SHAFT SPARE PARTS

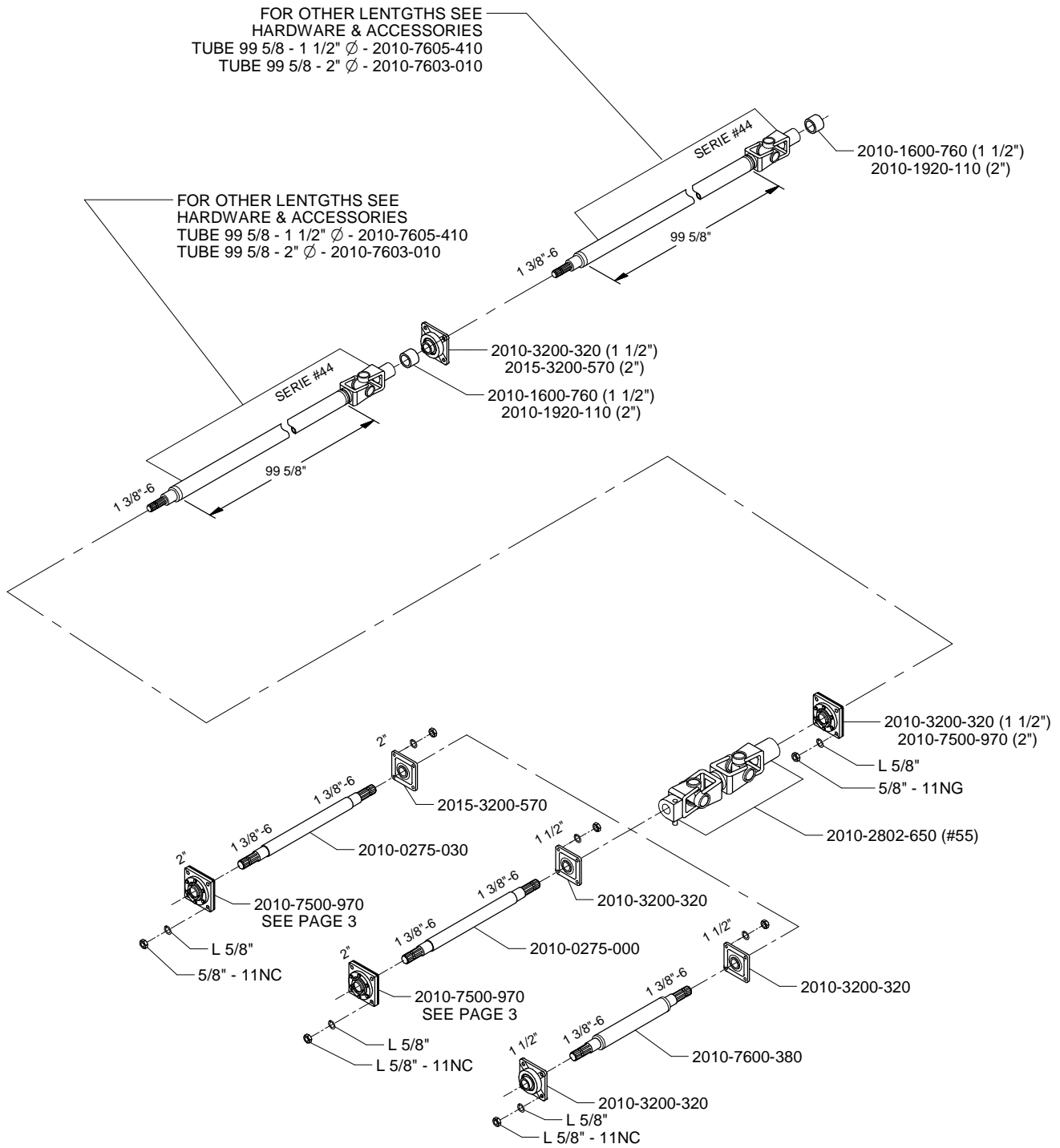


OLD MODEL BEFORE JANUARY 2000

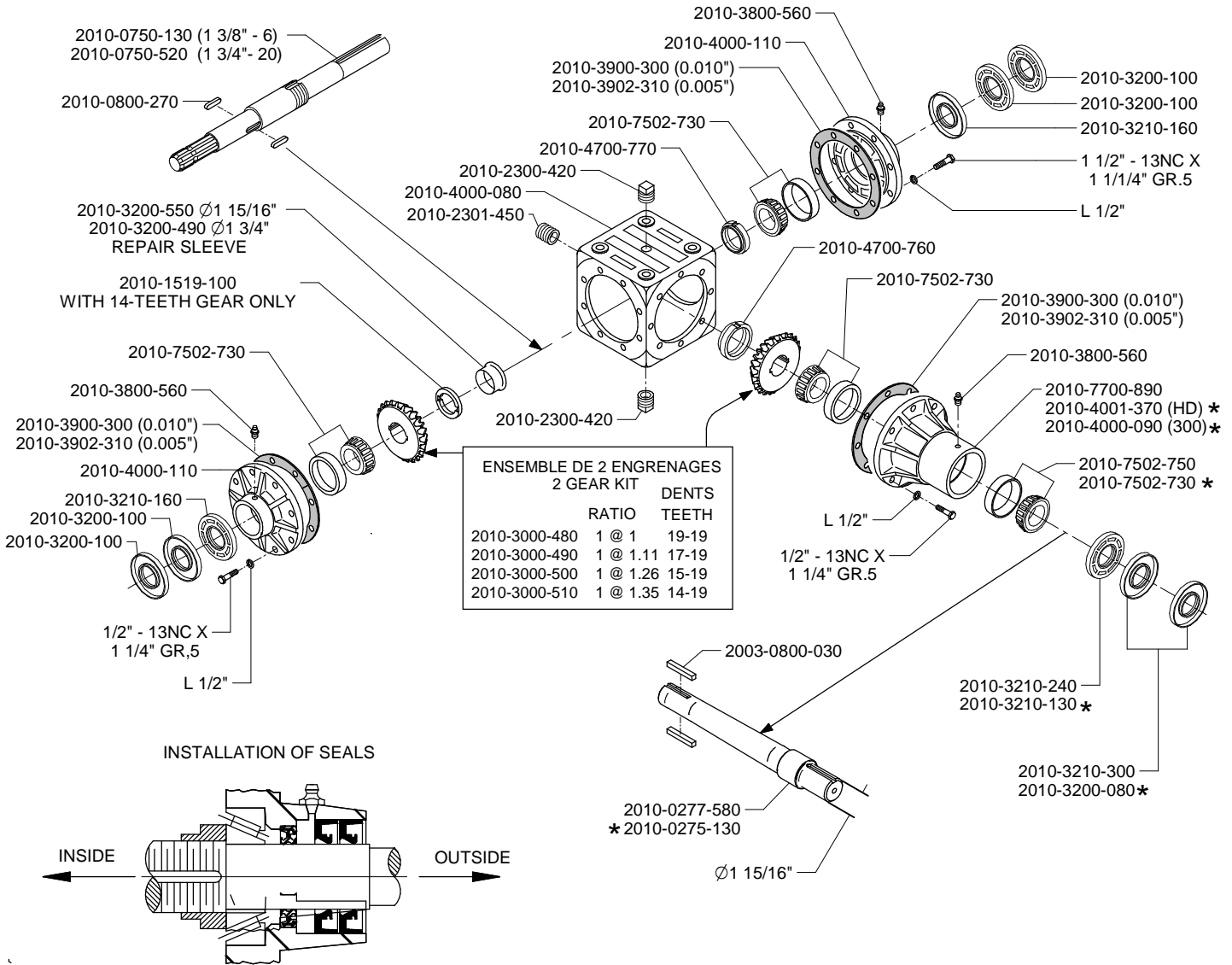


* WITH OIL BATH
 ** WITHOUT OIL BATH

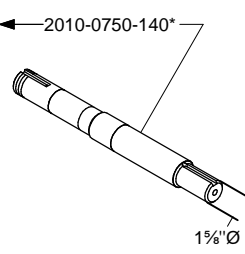
SEE HARDWARE & ACCESSORIES FOR DRIVE SHAFT SPARE PARTS



GEAR BOX #300 - Articulated Agi-Pompe

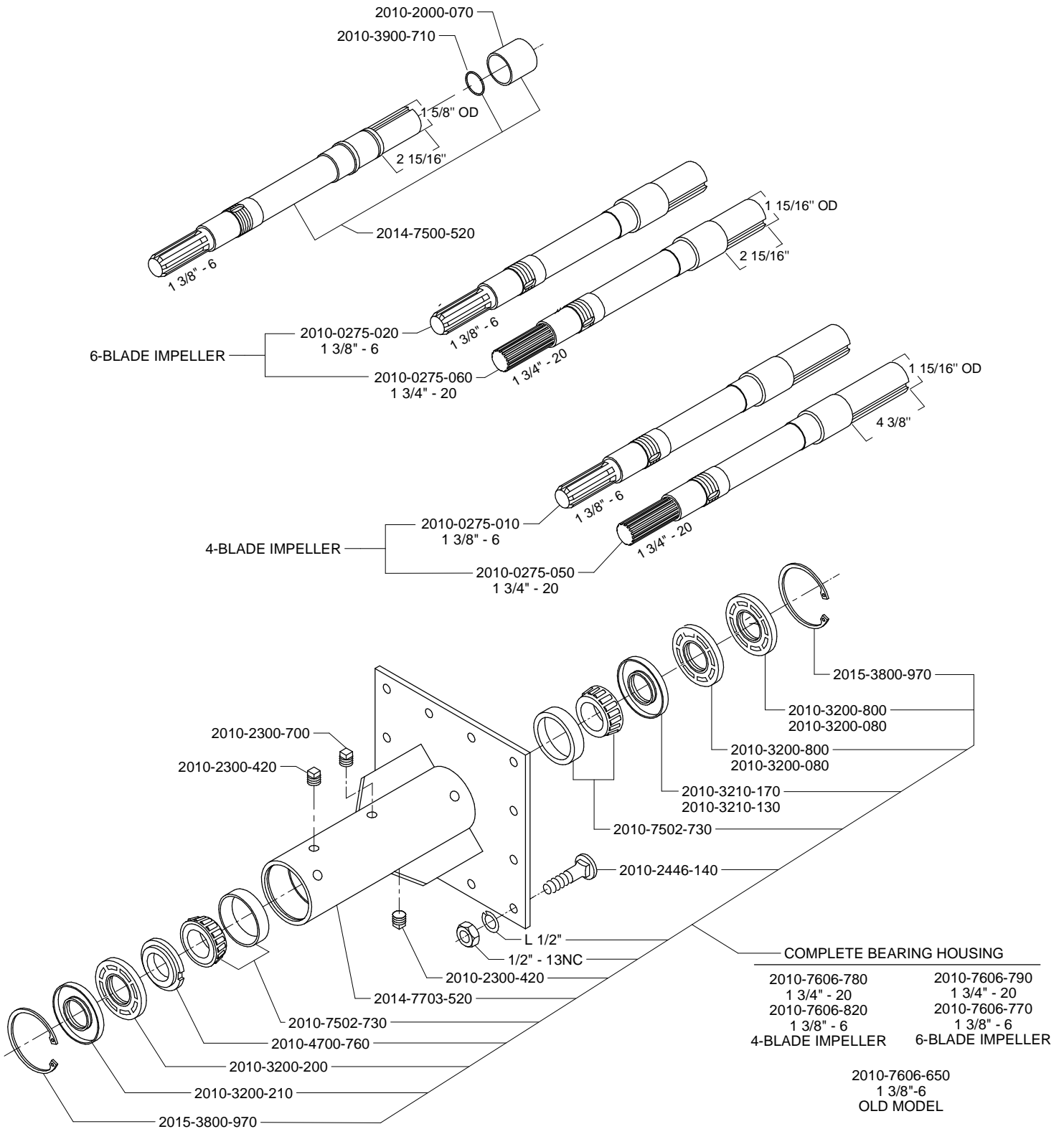


Complete gearbox since August 2012				
SHAFT Ø	RATIO 1 @ 1	RATIO 1 @ 1.11	RATIO 1 @ 1.26	RATIO 1 @ 1.35
1 3/8"	2010-2805-400	2010-2805-710 (+10%)	2010-2805-750 (+26%)	
1 3/4"	2010-2805-410	2010-2805-720 (+10%)	2010-2805-760 (+26%)	
1 3/8"		2010-2805-730 (-10%)	2010-2805-770 (-26%)	
1 3/4"		2010-2805-740 (-10%)	2010-2805-780 (-26%)	
Complete gearbox from April 2005 until August 2012				
1 3/8"	2010-2805-280	2010-2805-300 (+10%)	2010-2805-340 (+26%)	2010-2805-380 (-35%)
1 3/4"	2010-2805-290	2010-2805-310 (+10%)	2010-2805-350 (+26%)	2010-2805-390 (-35%)
1 3/8"		2010-2805-320 (-10%)	2010-2805-360 (-26%)	
1 3/4"		2010-2805-330 (-10%)	2010-2805-370 (-26%)	
Complete gearbox before April 2005				
1 3/8"	2010-2804-470	2010-2802-120 (+10%)	2010-2800-440 (+26%)	2010-2804-500 (-35%)
1 3/4"	2010-2804-510	2010-2804-520 (+10%)	2010-2804-540 (+26%)	2010-2804-560 (-35%)
1 3/8"		2010-2804-480 (-10%)	2010-2804-490 (-26%)	
1 3/4"		2010-2804-530 (-10%)	2010-2804-550 (-26%)	
Replacement kit (fixing plate for housing and complete gearbox) for model from April 2005 until August 2012				
1 3/8"	2010-7500-400	2010-7500-420 (+10%)	2010-7500-460 (+26%)	
1 3/4"	2010-7500-410	2010-7500-430 (+10%)	2010-7500-470 (+26%)	
1 3/8"		2010-7500-440 (-10%)	2010-7500-480 (-26%)	
1 3/4"		2010-7500-450 (-10%)	2010-7500-490 (-26%)	



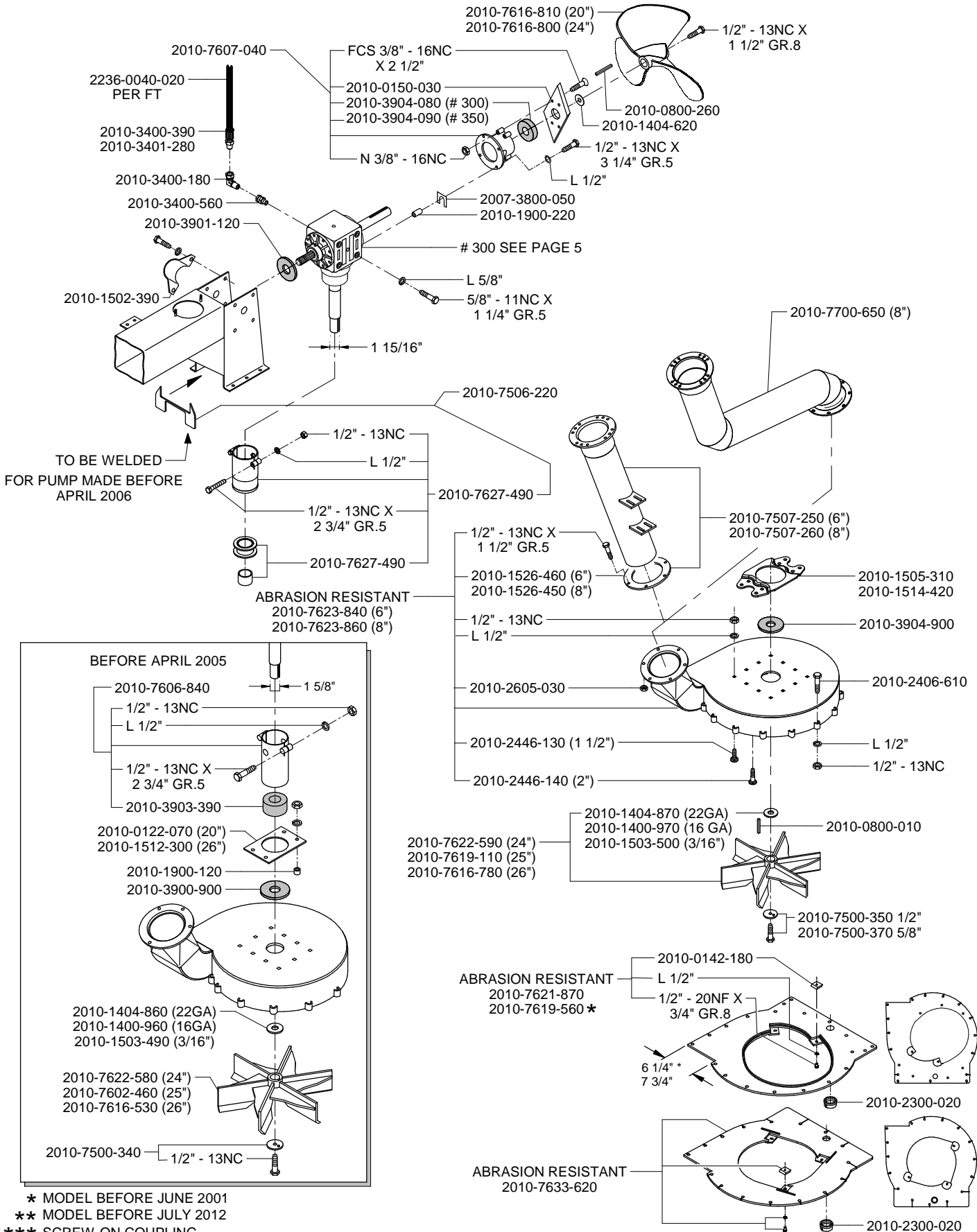
* MODEL BEFORE APRIL 2005

BEARING HOUSING - 3-point Hitch Articulated Super Pump



BEFORE APRIL 1992

PROPELLER, IMPELLER, HOUSING & BOTTOM PLATE - 26" - Agi-pompe

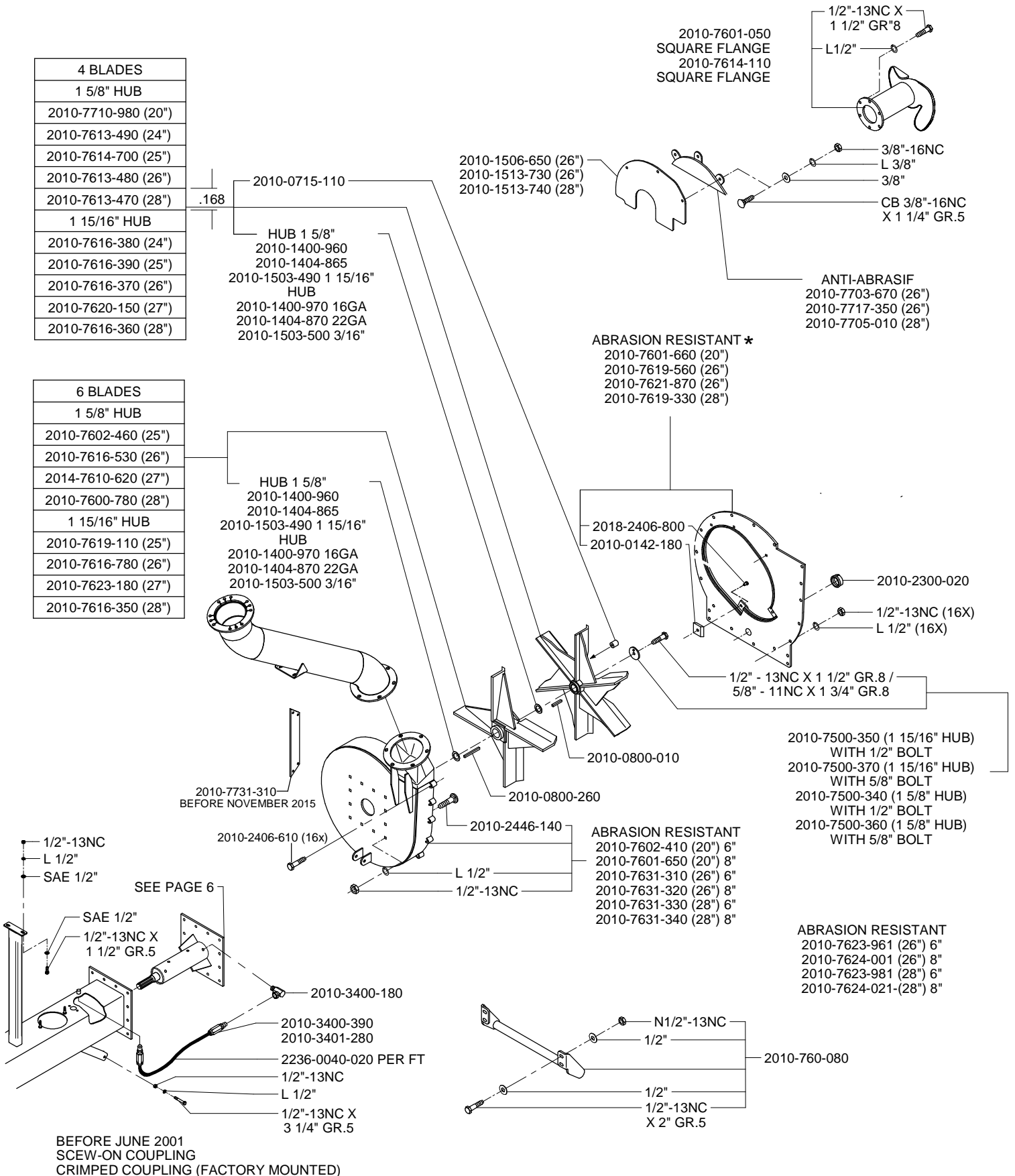


* MODEL BEFORE JUNE 2001
 ** MODEL BEFORE JULY 2012
 *** SCREW-ON COUPLING
 **** CRIMPED COUPLING (FACTORY MOUNTED)

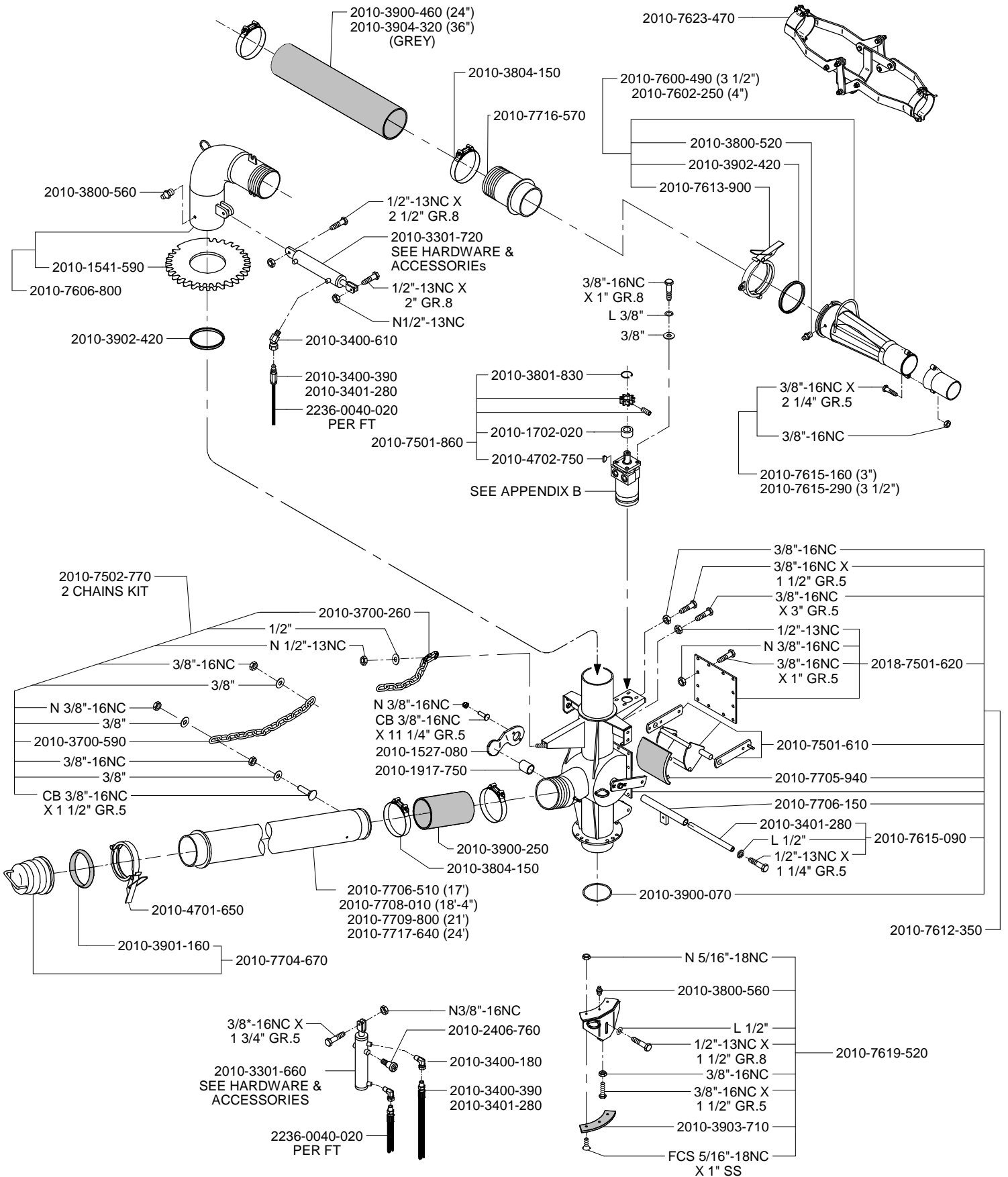
IMPELLER, HOUSING & BOTTOM PLATE - Super Pump

4 BLADES
1 5/8" HUB
2010-7710-980 (20")
2010-7613-490 (24")
2010-7614-700 (25")
2010-7613-480 (26")
2010-7613-470 (28")
1 15/16" HUB
2010-7616-380 (24")
2010-7616-390 (25")
2010-7616-370 (26")
2010-7620-150 (27")
2010-7616-360 (28")

6 BLADES
1 5/8" HUB
2010-7602-460 (25")
2010-7616-530 (26")
2014-7610-620 (27")
2010-7600-780 (28")
1 15/16" HUB
2010-7619-110 (25")
2010-7616-780 (26")
2010-7623-180 (27")
2010-7616-350 (28")

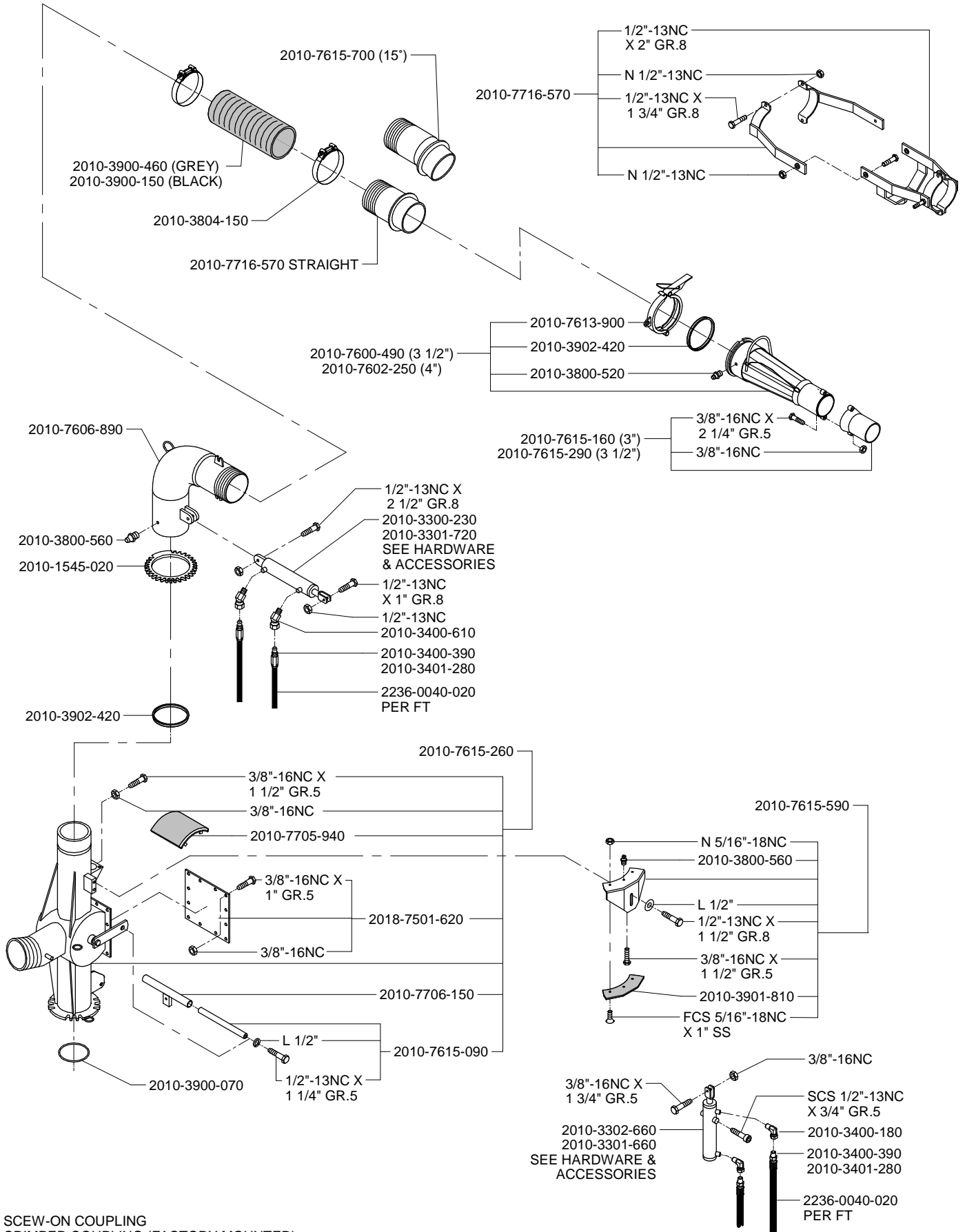


6" DIRECTIONAL VALVE & AGITATION NOZZLE



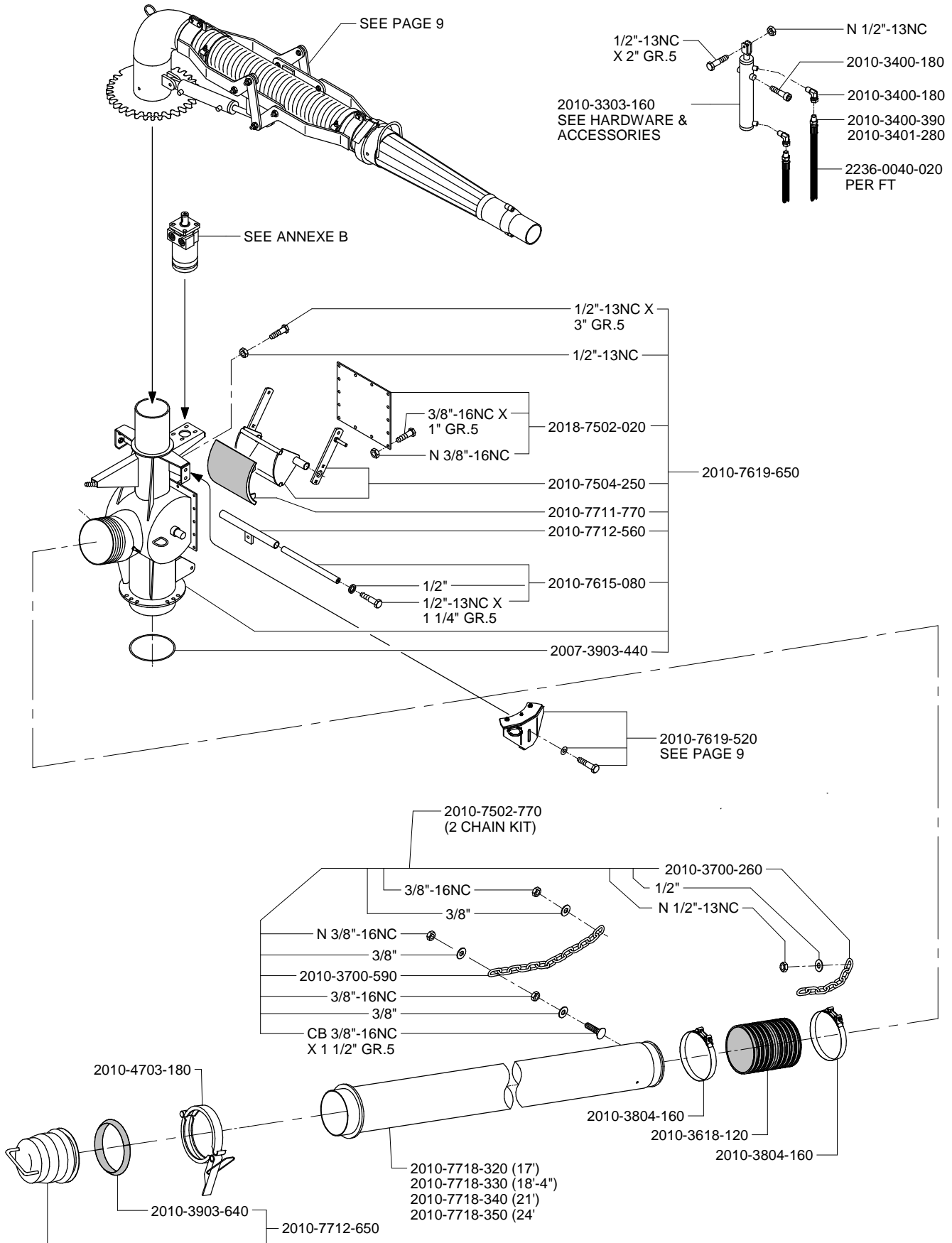
SCEW-ON COUPLING
CRIMPED COUPLING (FACTORY MOUNTED)

6" DIRECTIONAL VALVE & AGITATION NOZZLE - Old Model



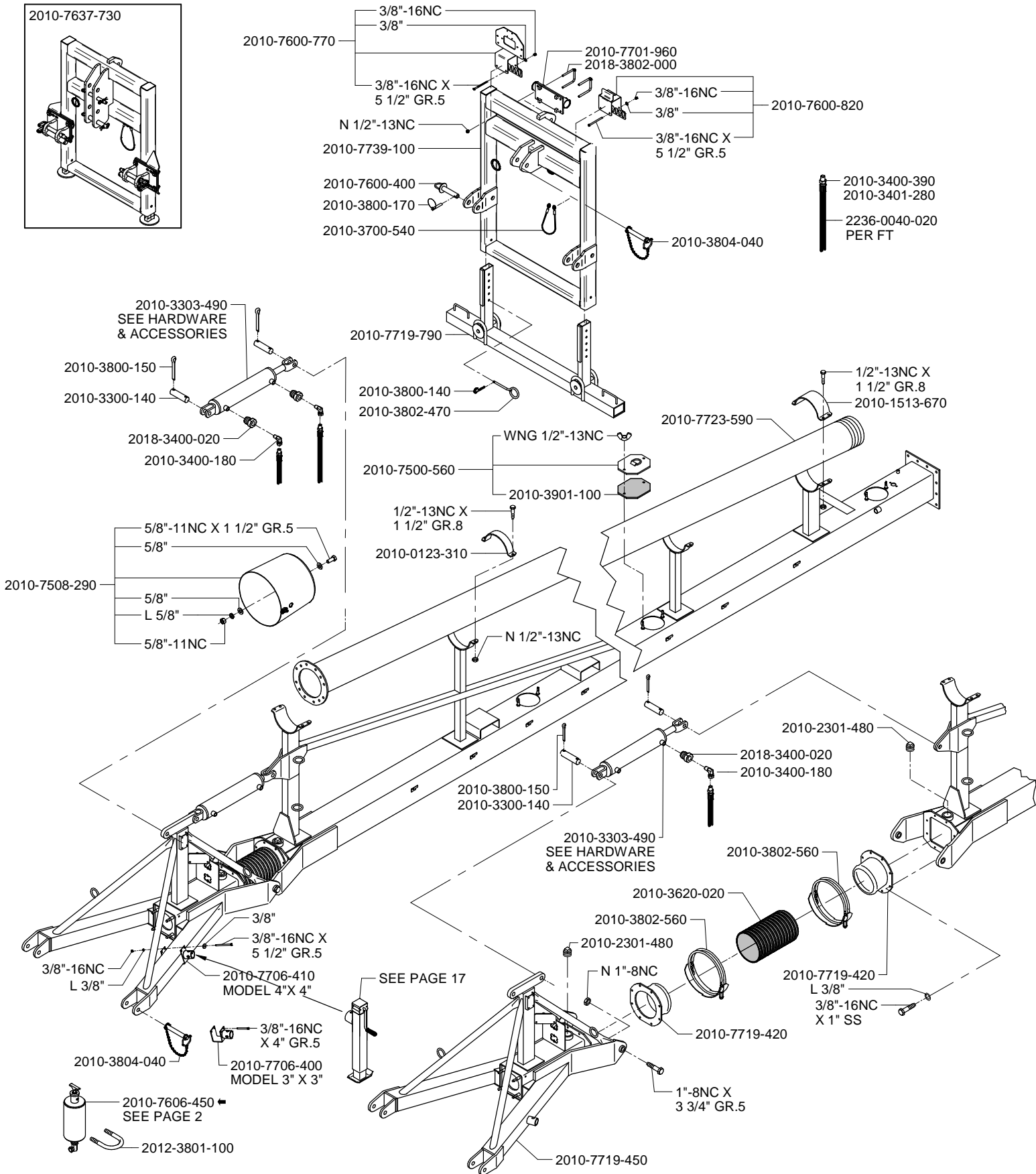
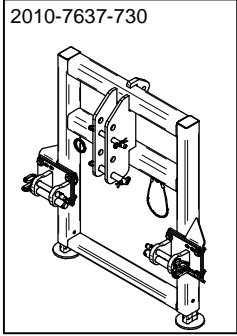
SCEW-ON COUPLING
CRIMPED COUPLING (FACTORY MOUNTED)

8" DIRECTIONAL VALVE & AGITATION NOZZLE



SCEW-ON COUPLING
CRIMPED COUPLING (FACTORY MOUNTED)

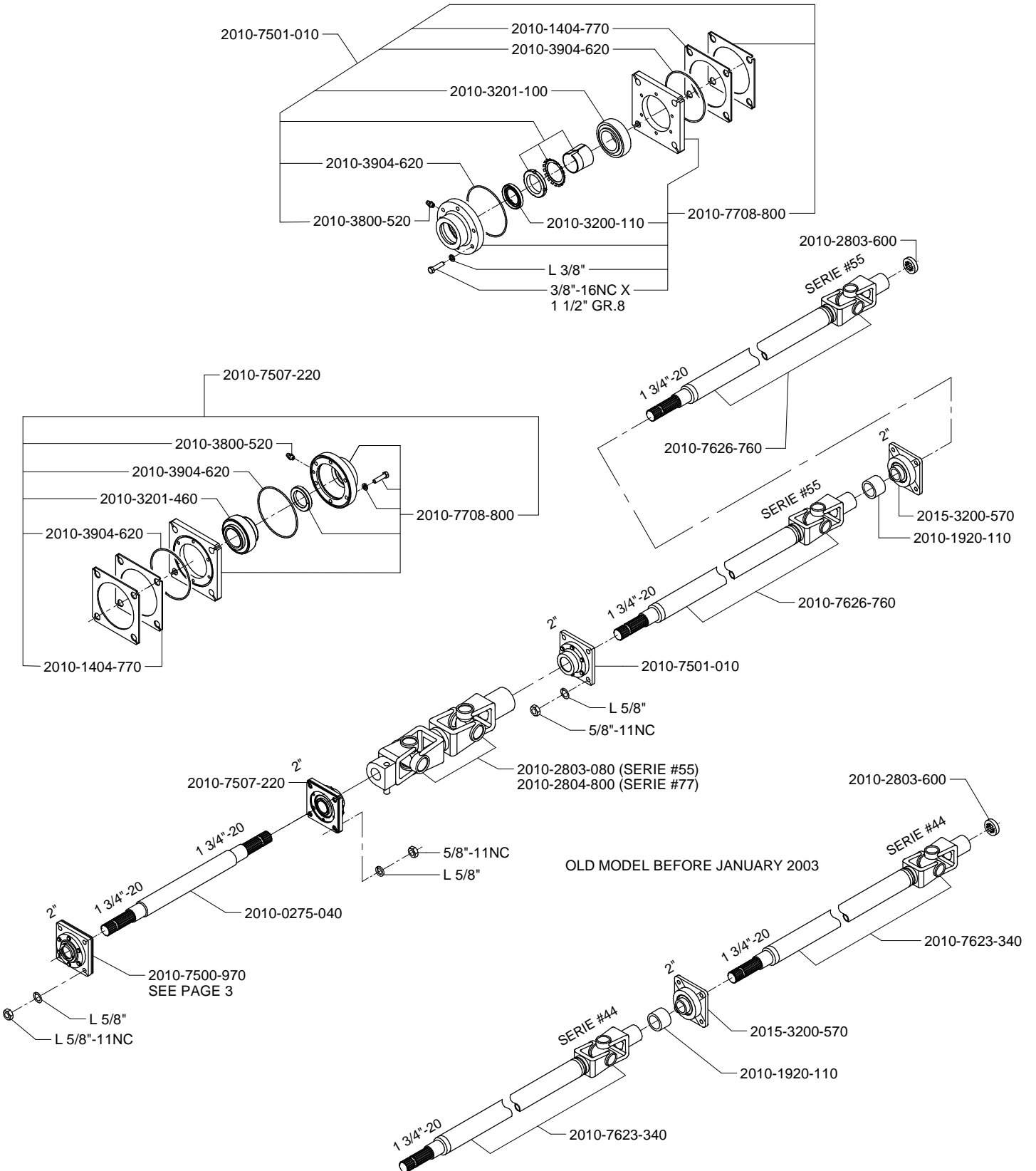
8" ARTICULATED SUPER PUMP FOR LAGOON



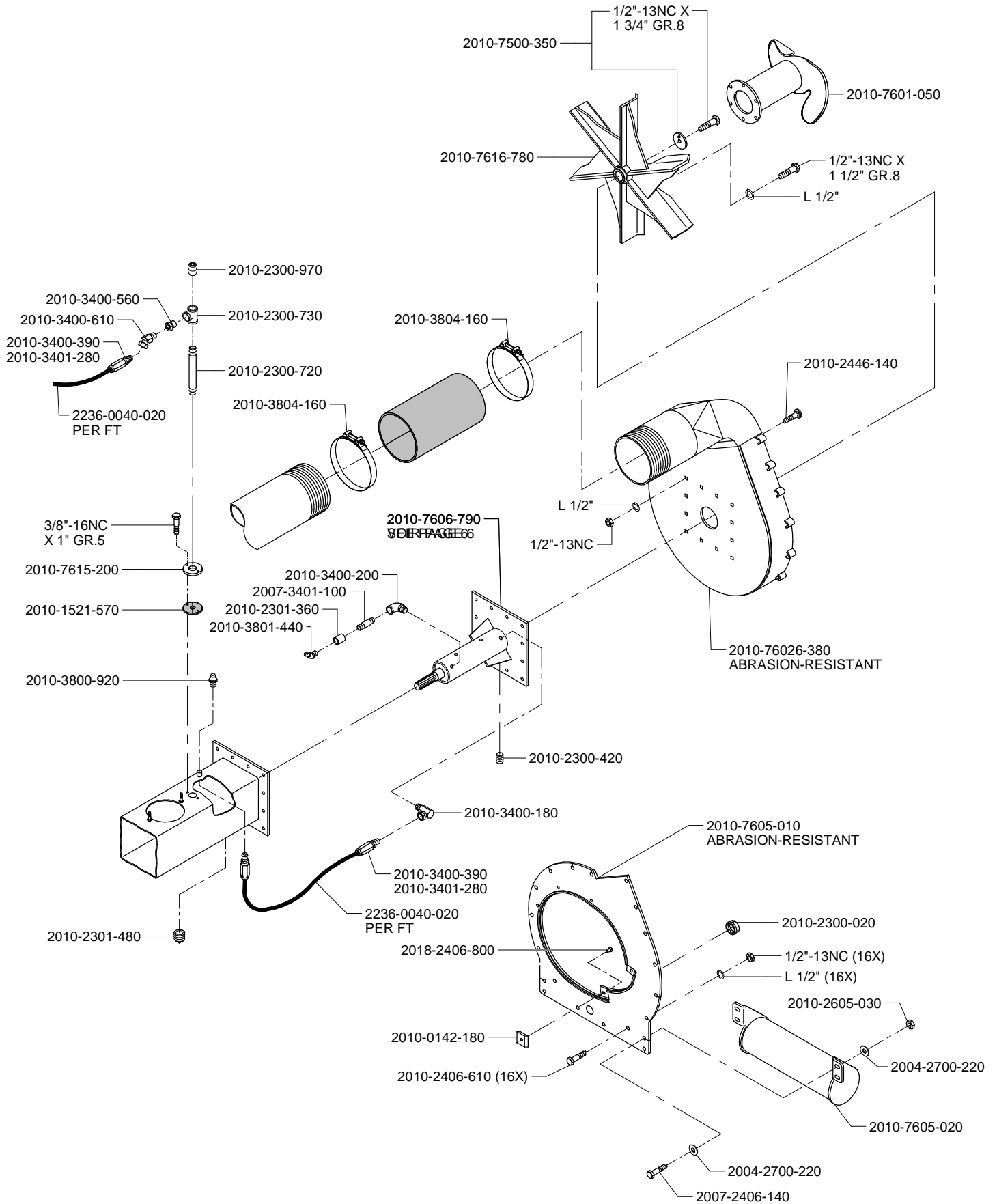
➔ REPLACES OLD MODEL (see page 22)
REUSABLE SCREW-ON COUPLING
CRIMPED COUPLING (FACTORY MOUNTED)

DRIVE SHAFT - 8" articulated Super pump for lagoon

SEE HARDWARE & ACCESSORIES PAGE 1
FOR DRIVE SHAFT SPARE PARTS

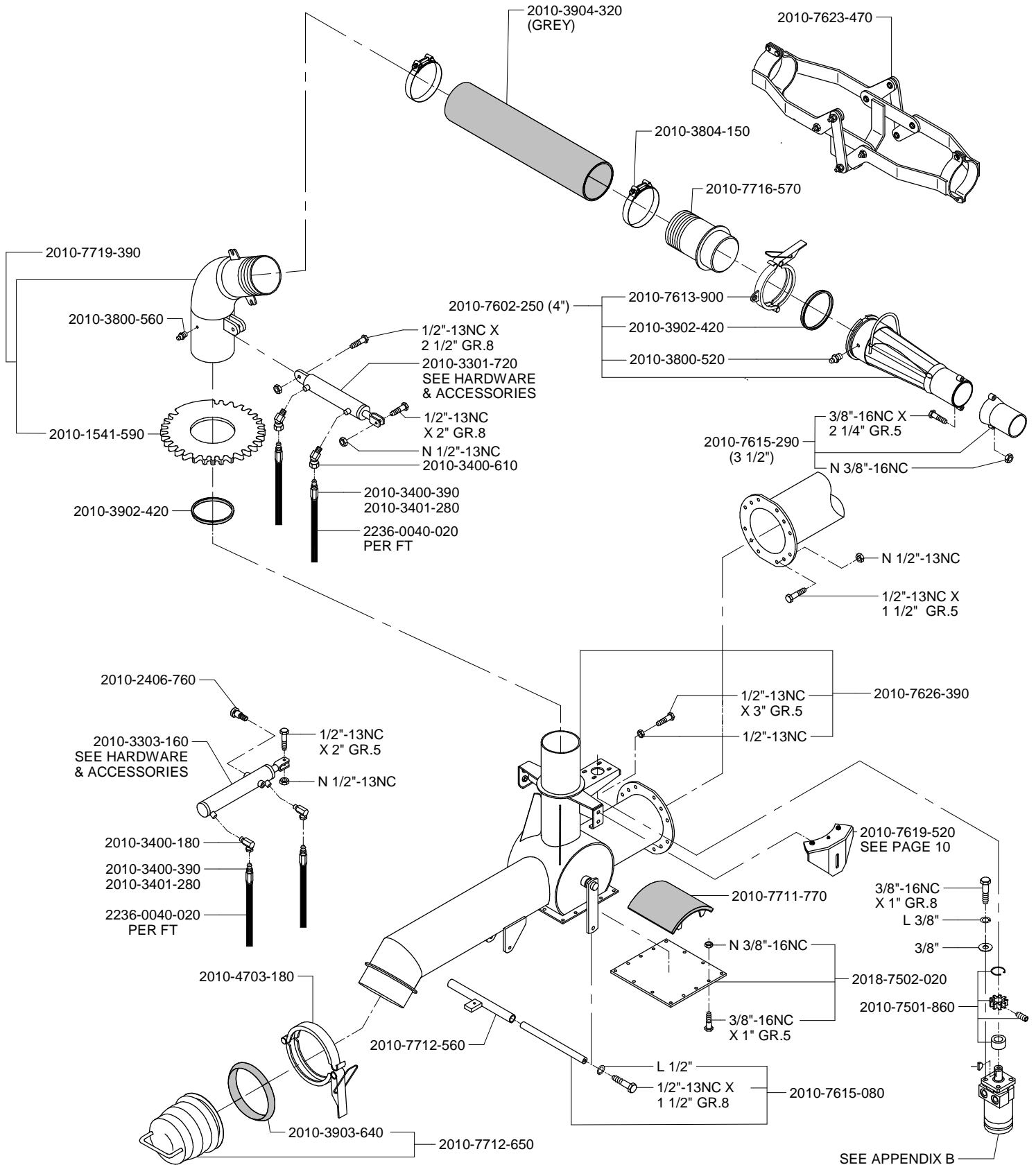


IMPELLER, HOUSING & BOTTOM PLATE - 8" articulated super pump for lagoon





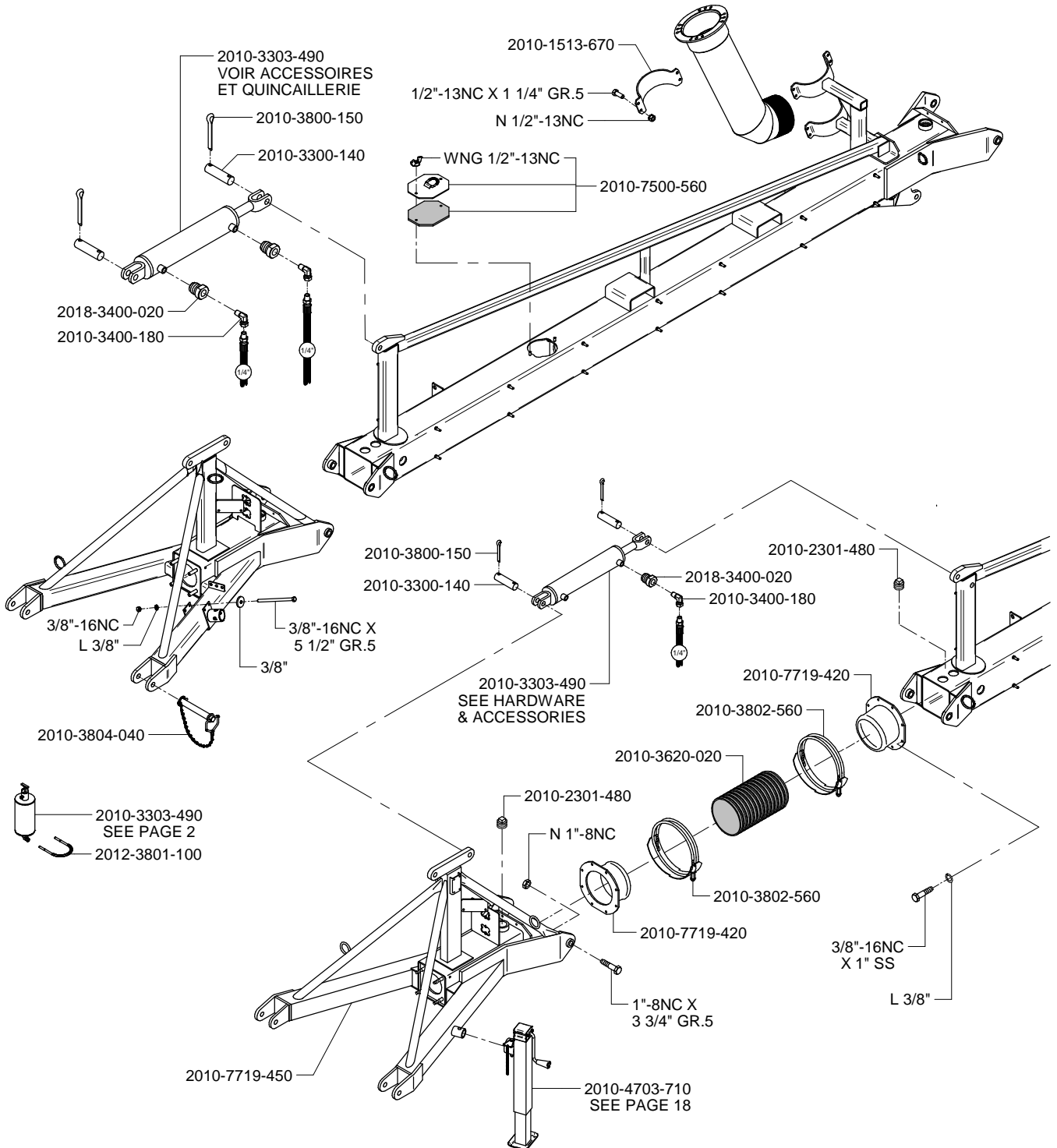
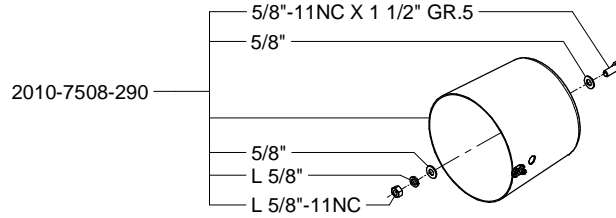
SCEW-ON COUPLING
 CRIMPED COUPLING (FACTORY MOUNTED)
 GEA Farm Technologies Canada Inc.
 Division GEA Houle



**8" DIRECTIONNAL VALVE & AGITATION NOZZLE
8" ARTICULATED SUPER PUMP FOR LAGOON**

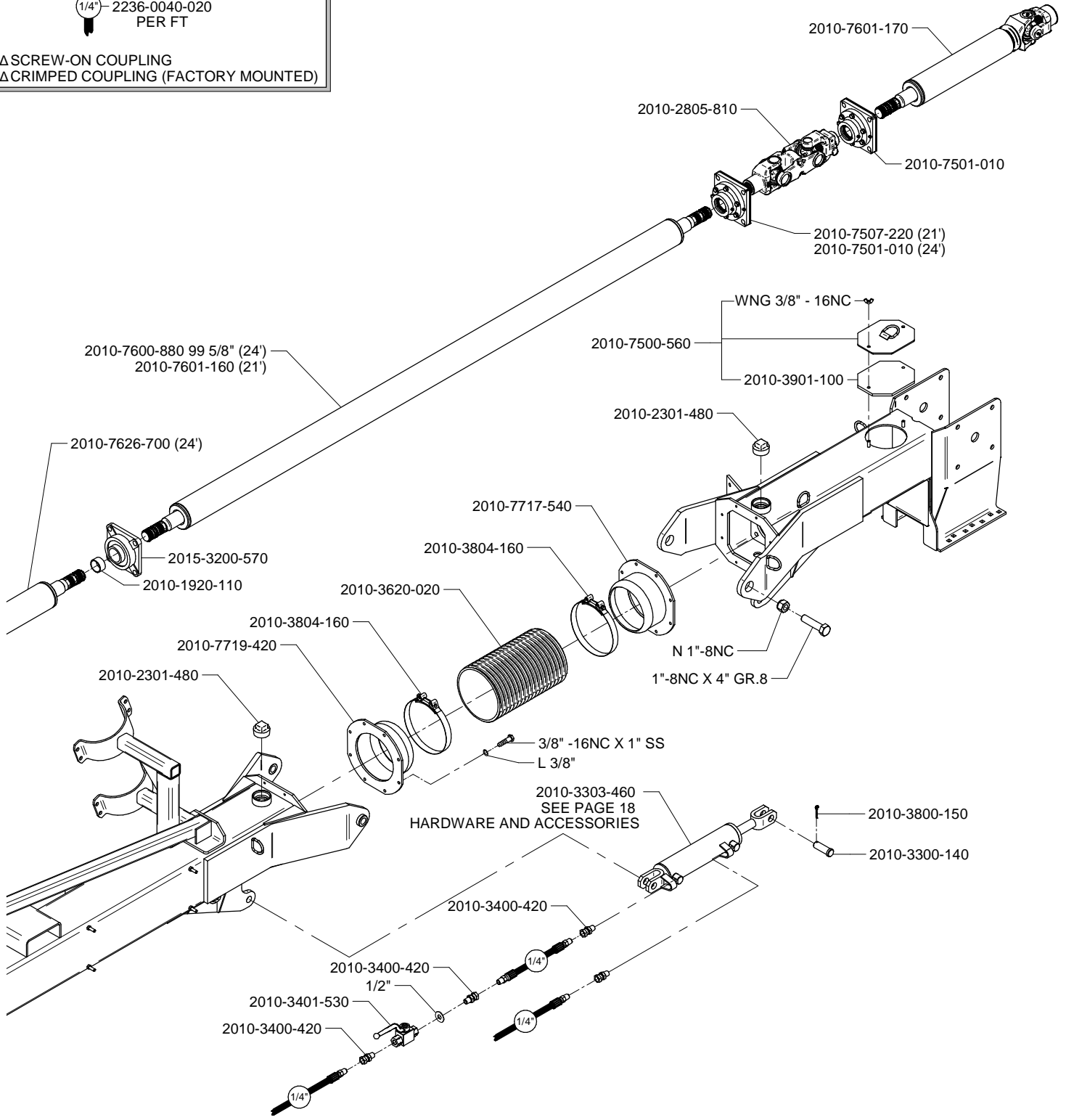


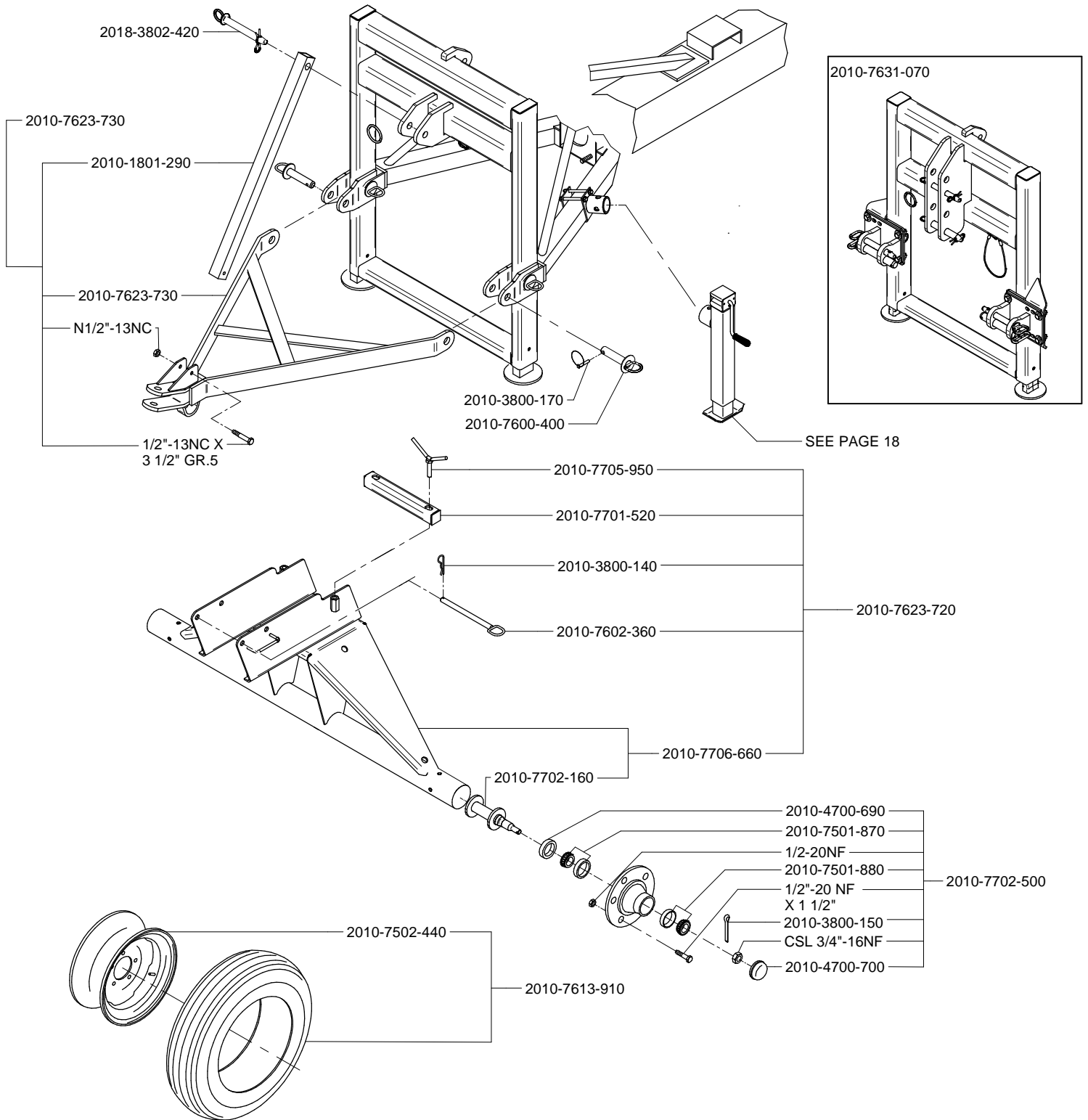
SCEW-ON COUPLING
CRIMPED COUPLING (FACTORY MOUNTED)

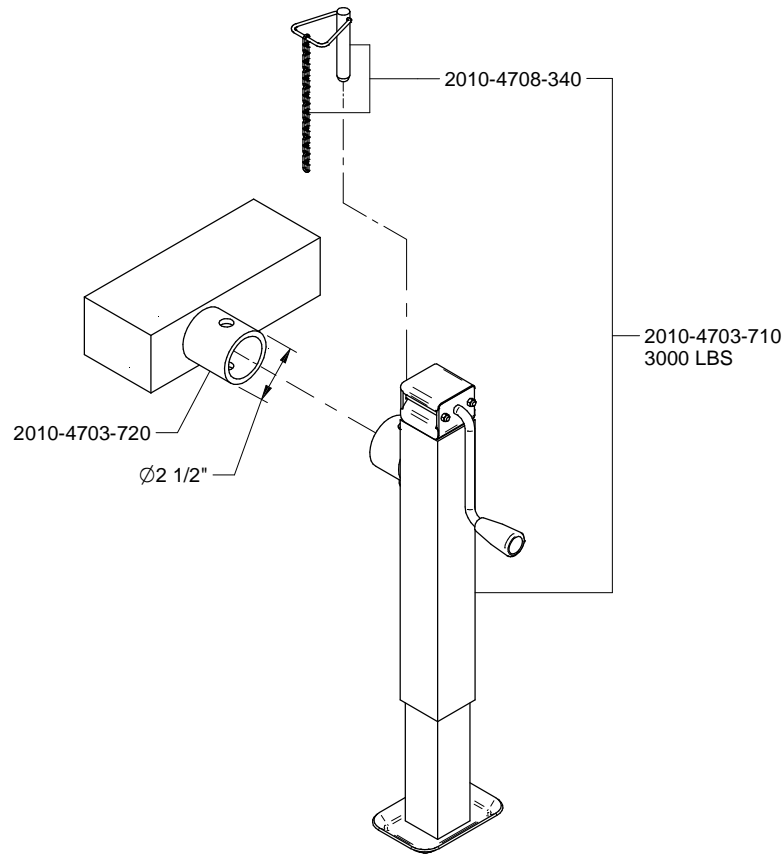
 2010-3400-390Δ
 2010-3401-280ΔΔ
 2236-0040-020
 PER FT
 Δ SCREW-ON COUPLING
 ΔΔ CRIMPED COUPLING (FACTORY MOUNTED)



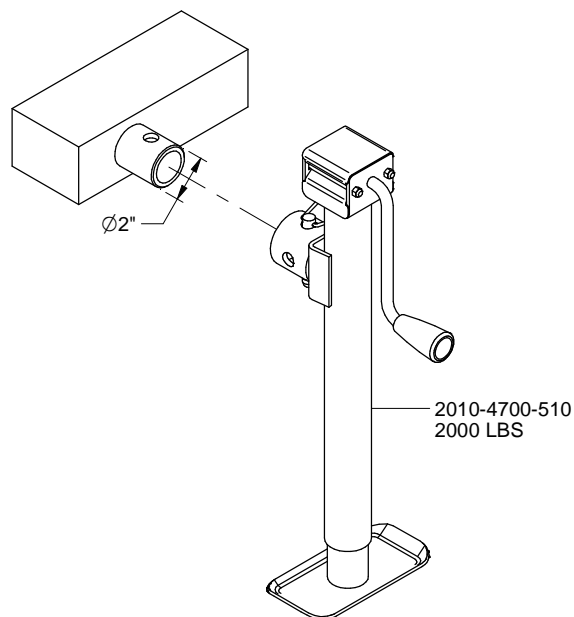
 2010-3400-390 Δ
 2010-3401-280 ΔΔ
 2236-0040-020
 PER FT
 Δ SCREW-ON COUPLING
 ΔΔ CRIMPED COUPLING (FACTORY MOUNTED)







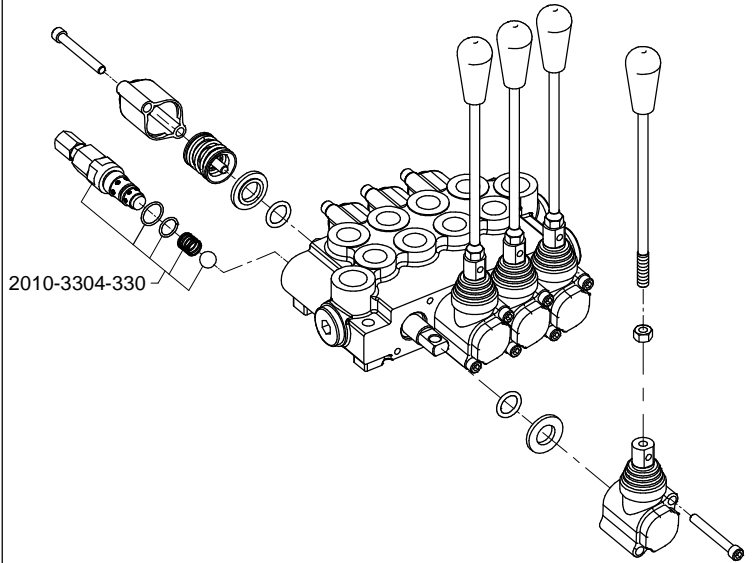
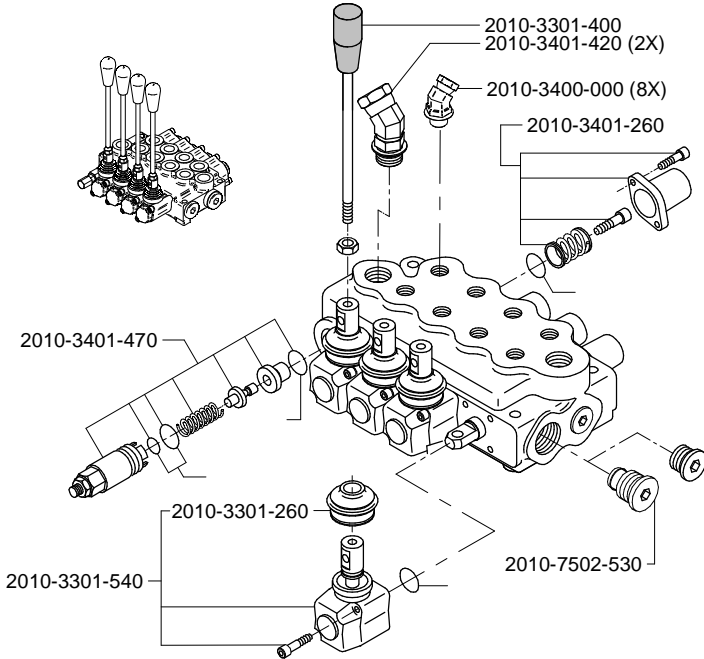
MODEL SUPPLIED BEFORE AUGUST 2001



SINCE DECEMBER 2006 AND BEFORE JANUARY 2006

OLD MODEL FROM JANUARY 2006 TO DECEMBER 2006

COMPLETE 4-LEVER VALVE
2010-3301-050

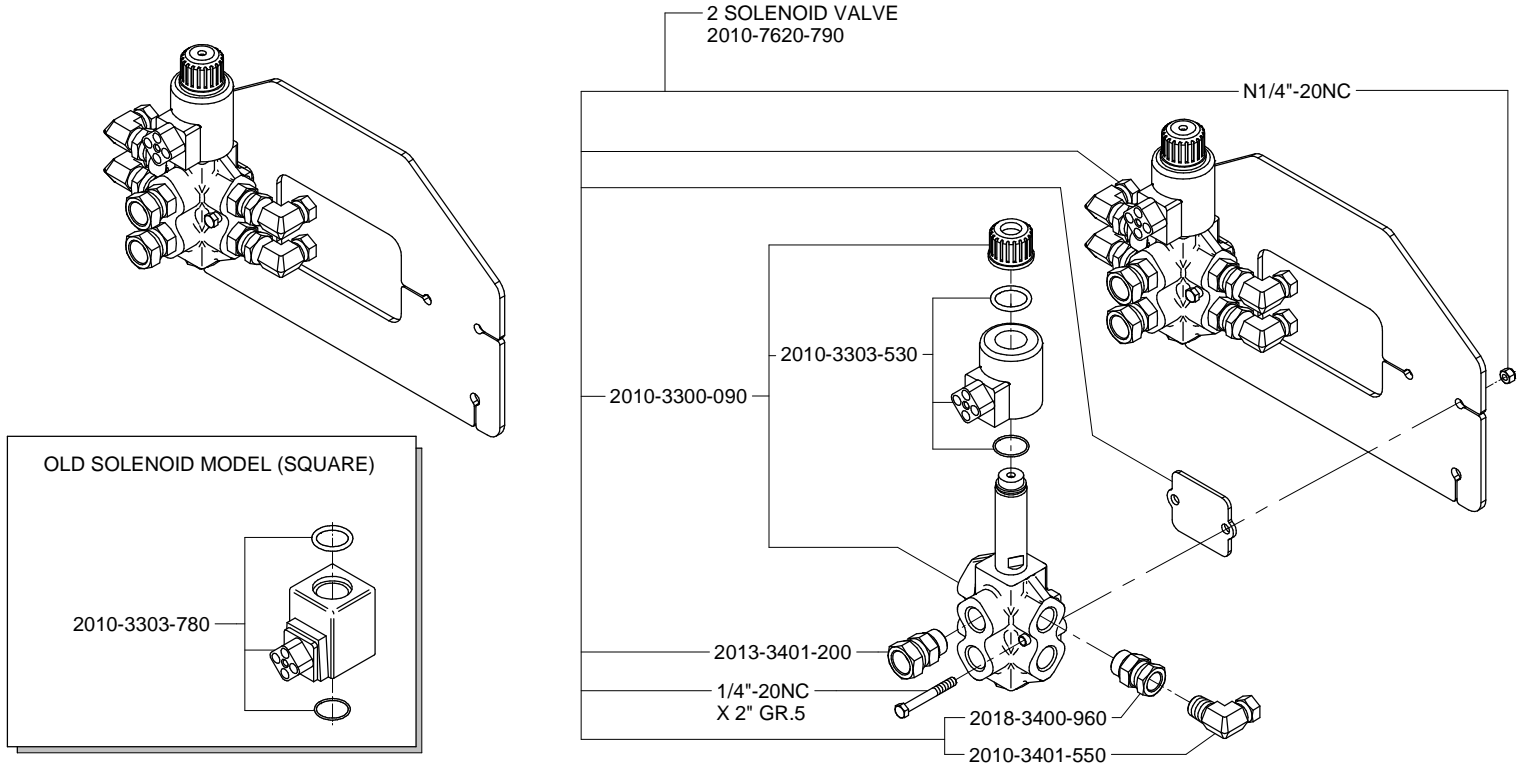


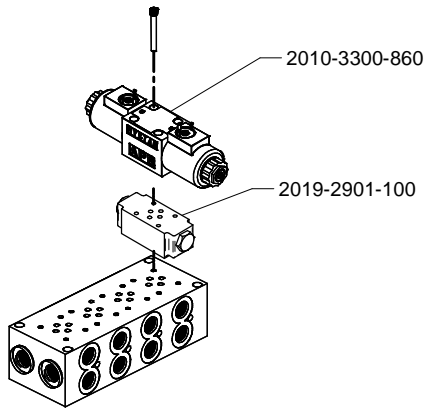
2018-3302-010
SEAL KIT INCLUDES ALL PARTS MARKED WITH*

NOT INCLUDED IN 2010-3301-050

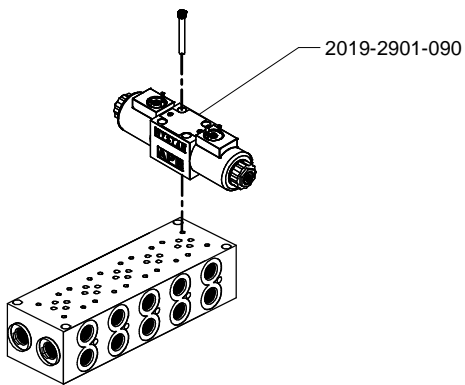
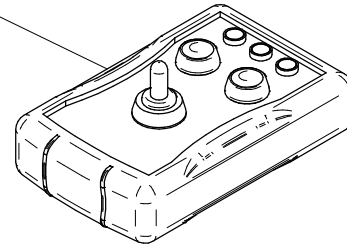
1 SOLENOID VALVE KIT
2010-7633-820

2 SOLENOID VALVE
2010-7620-790

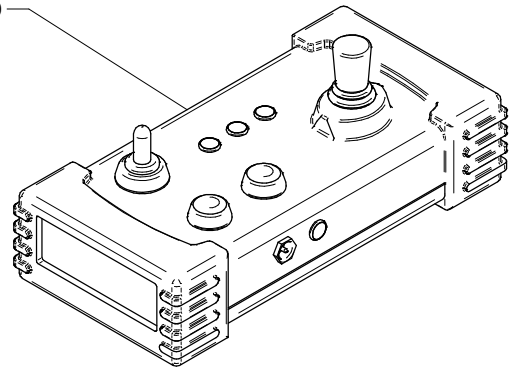


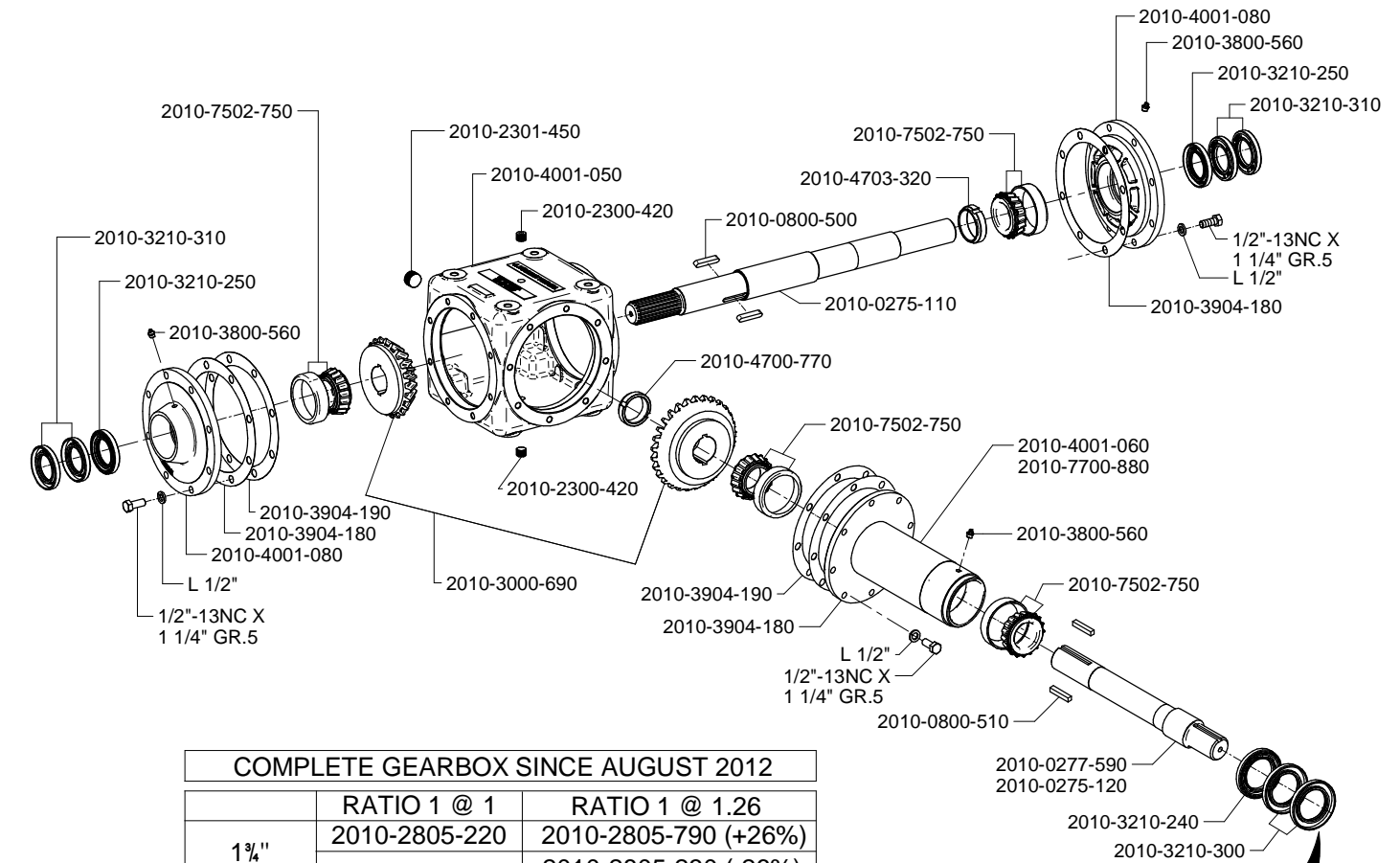


1 FUNCTIONS
2010-2900-930

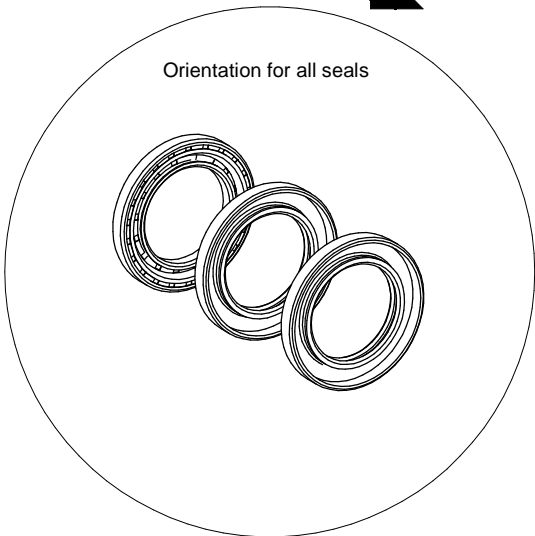
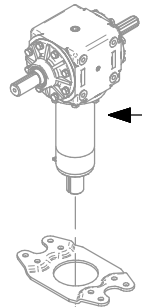


2 FUNCTIONS
2010-2900-750



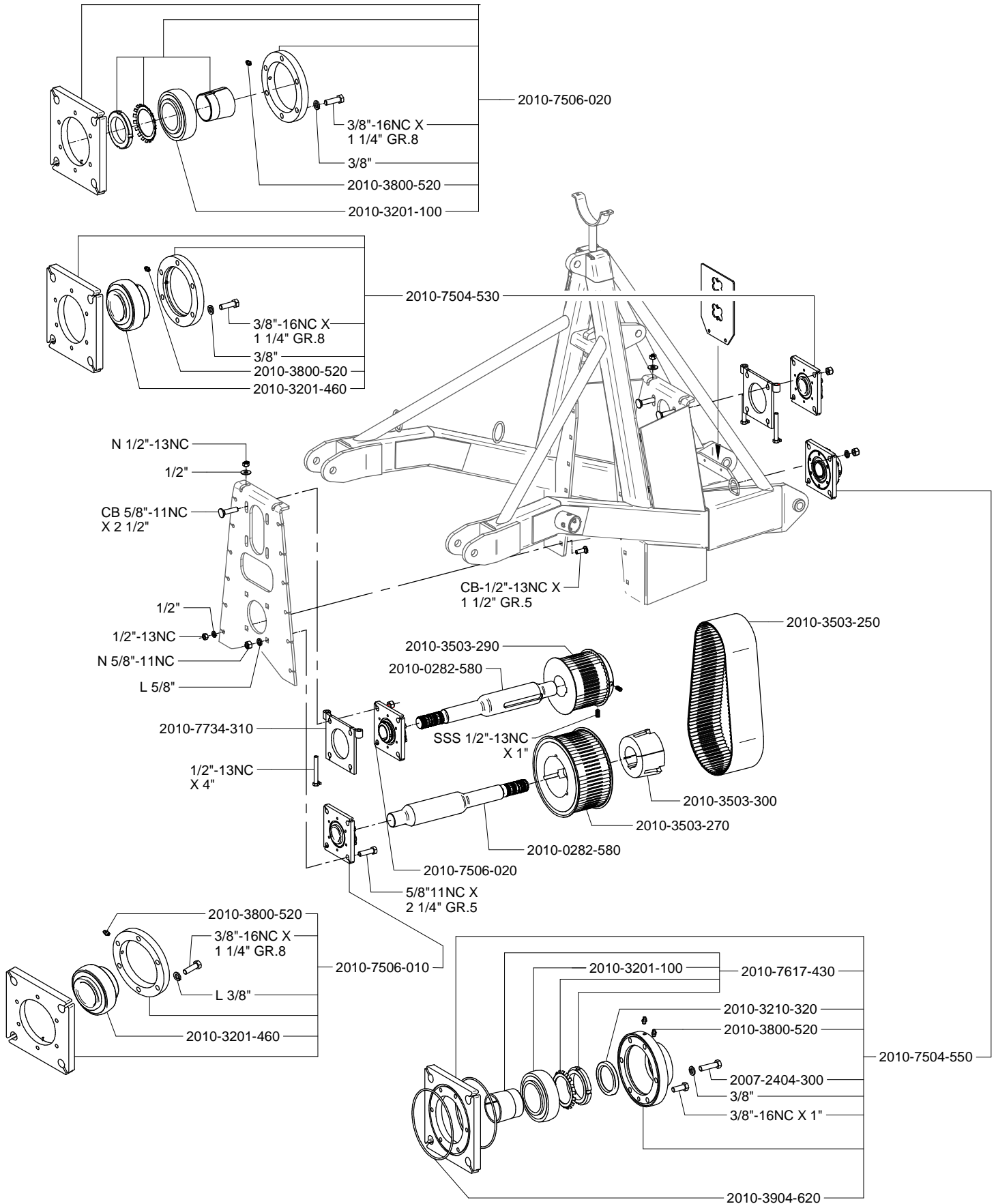


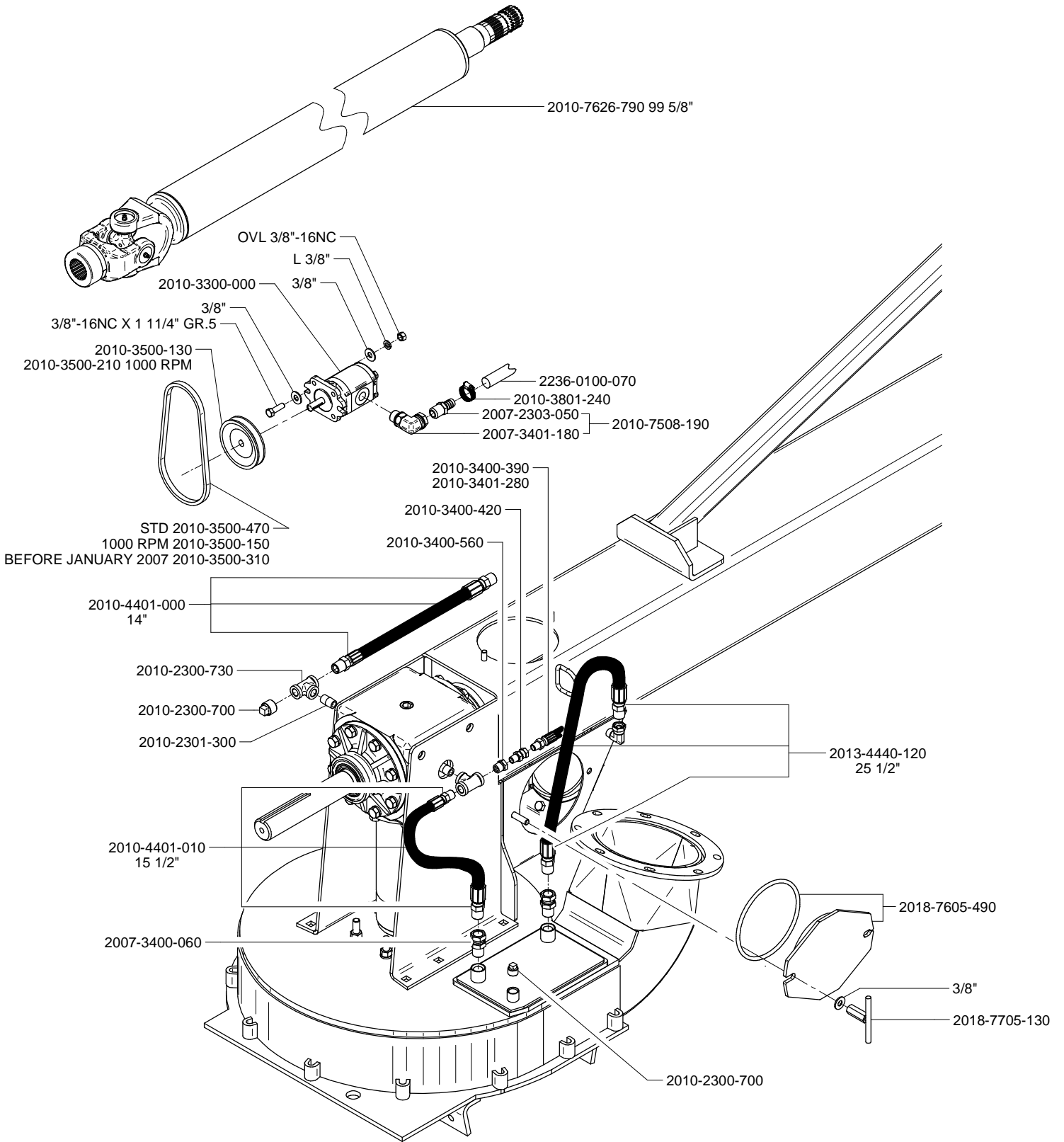
COMPLETE GEARBOX SINCE AUGUST 2012		
	RATIO 1 @ 1	RATIO 1 @ 1.26
1 3/4"	2010-2805-220	2010-2805-790 (+26%)
		2010-2805-230 (-26%)
COMPLETE GEARBOX BEFORE AUGUST 2012		
1 3/4"		2010-2805-210 (-26%)
Replacement kit (fixing plate for housing and complete gearbox) for model before August 2012		
1 3/4"	2010-7500-520	2010-7500-500 (+26%)
		2010-7500-510 (-26%)



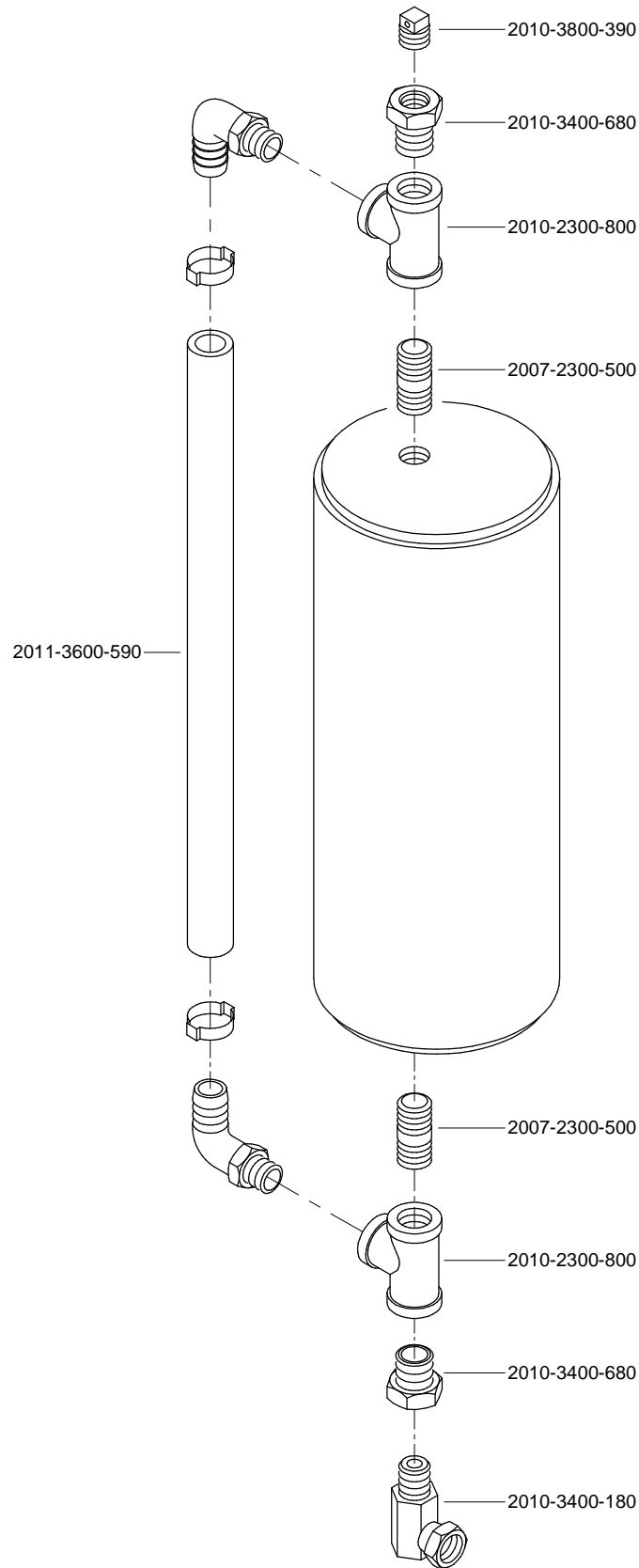
* Before August 2012
** Since August 2012

GEA Farm Technologies



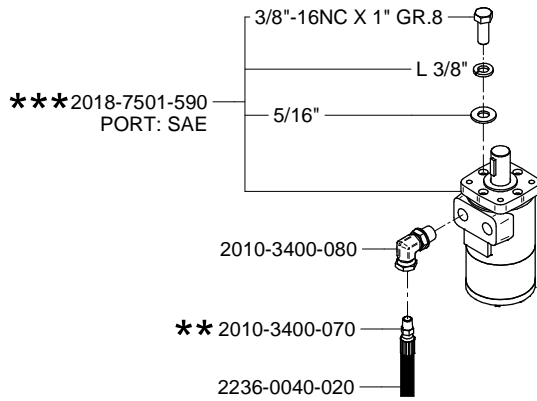


- This lubrication oil tank has been installed on all 3-point hitch articulated pumps prior to June 2004.
- If the part you need is not available, refer to the last updated version of the Parts Manual to replace the complete assembly by the new model.



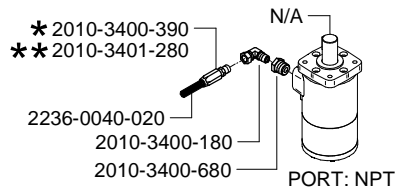
**PUMP MANUFACTURED AFTER
JUNE, 2014**

NEW MOTOR AND NEW HOSES

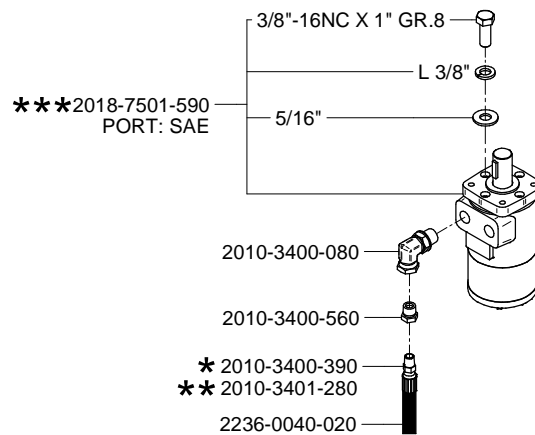


**PUMP MANUFACTURED BEFORE
JUNE, 2014**

OLD MOTOR AND OLD HOSE

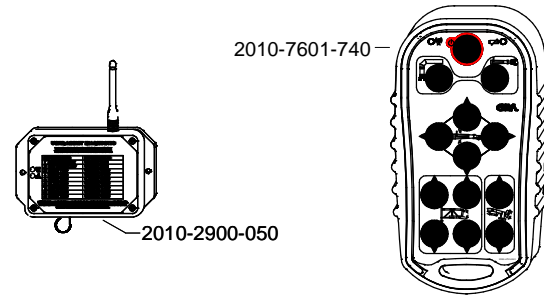
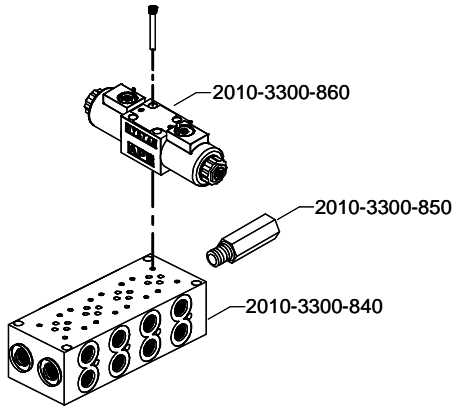


REPLACEMENT WITH NEW MOTOR ON
OLD HOSES

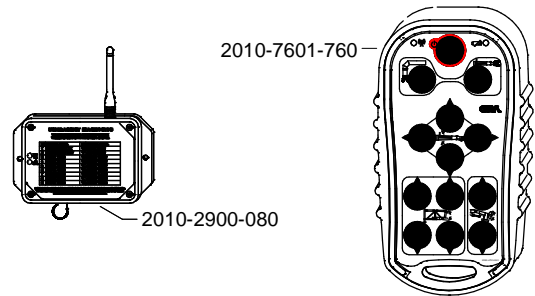
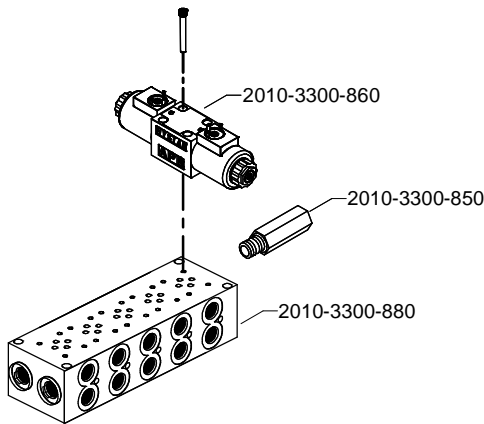


- * REUSABLE SCREW-ON COUPLING
- ** CRIMPED COUPLING (FACTORY MOUNTED)
- *** FOR REPAIR KIT, SEE HARDWARE AND ACCESSORIES

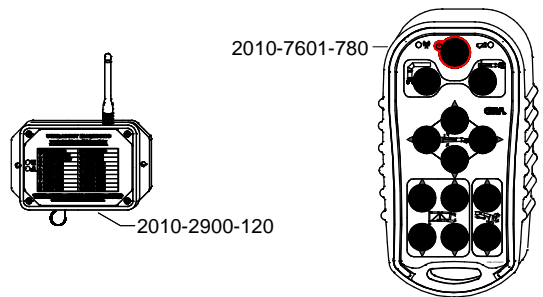
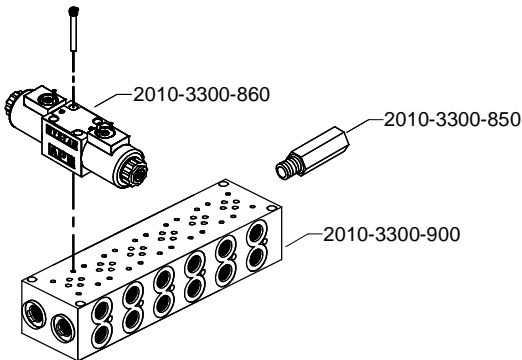
4-Function Remote



5-Function Remote



6-Function Remote



8-Function Remote

