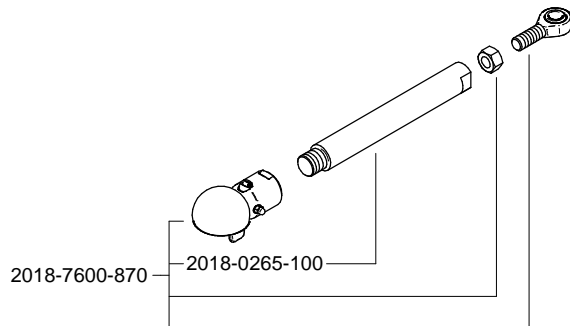
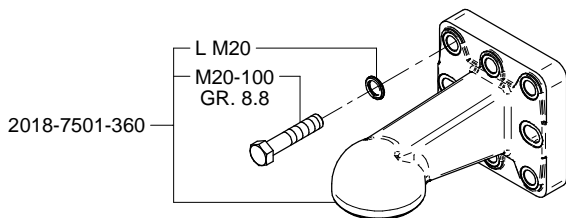
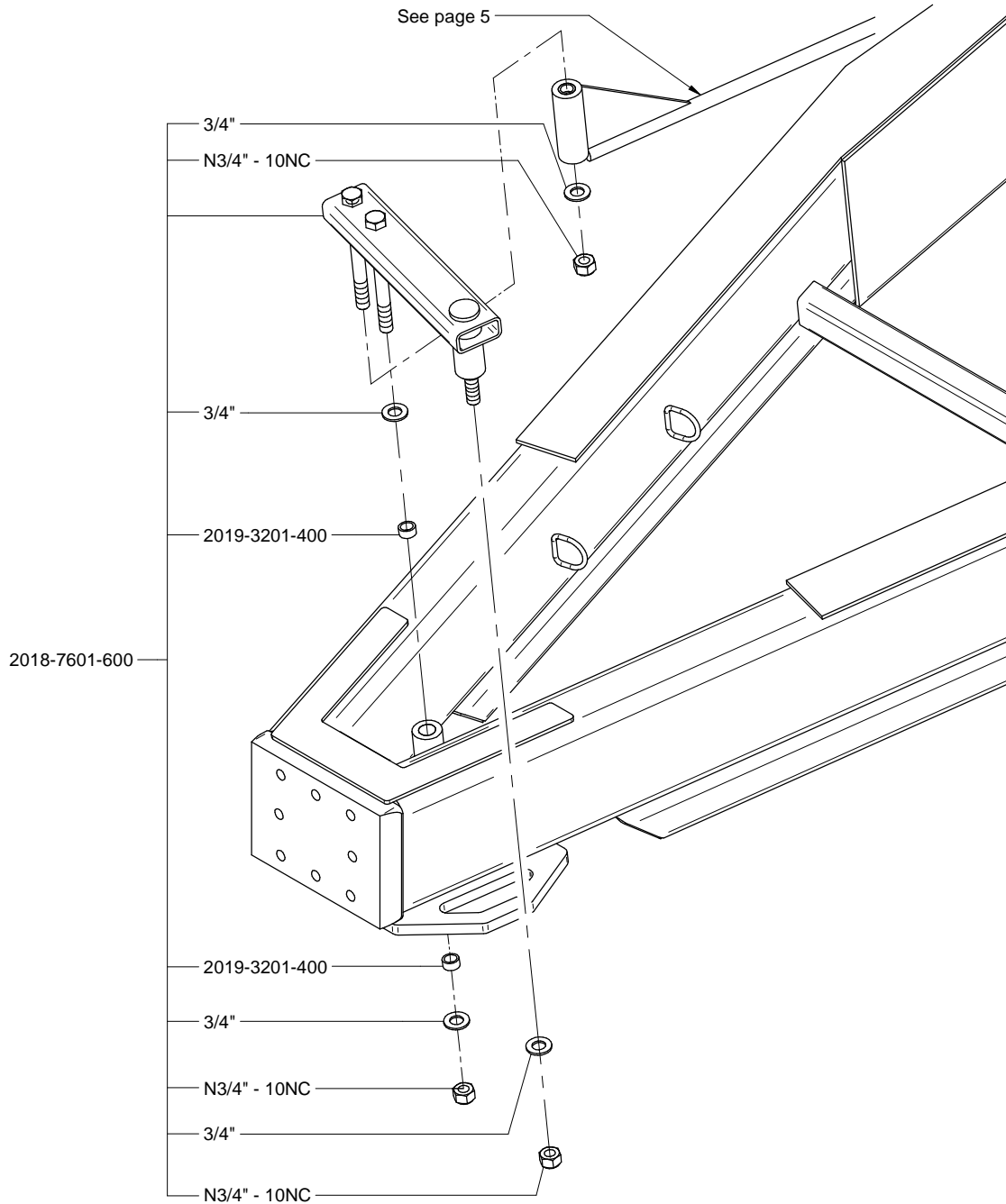
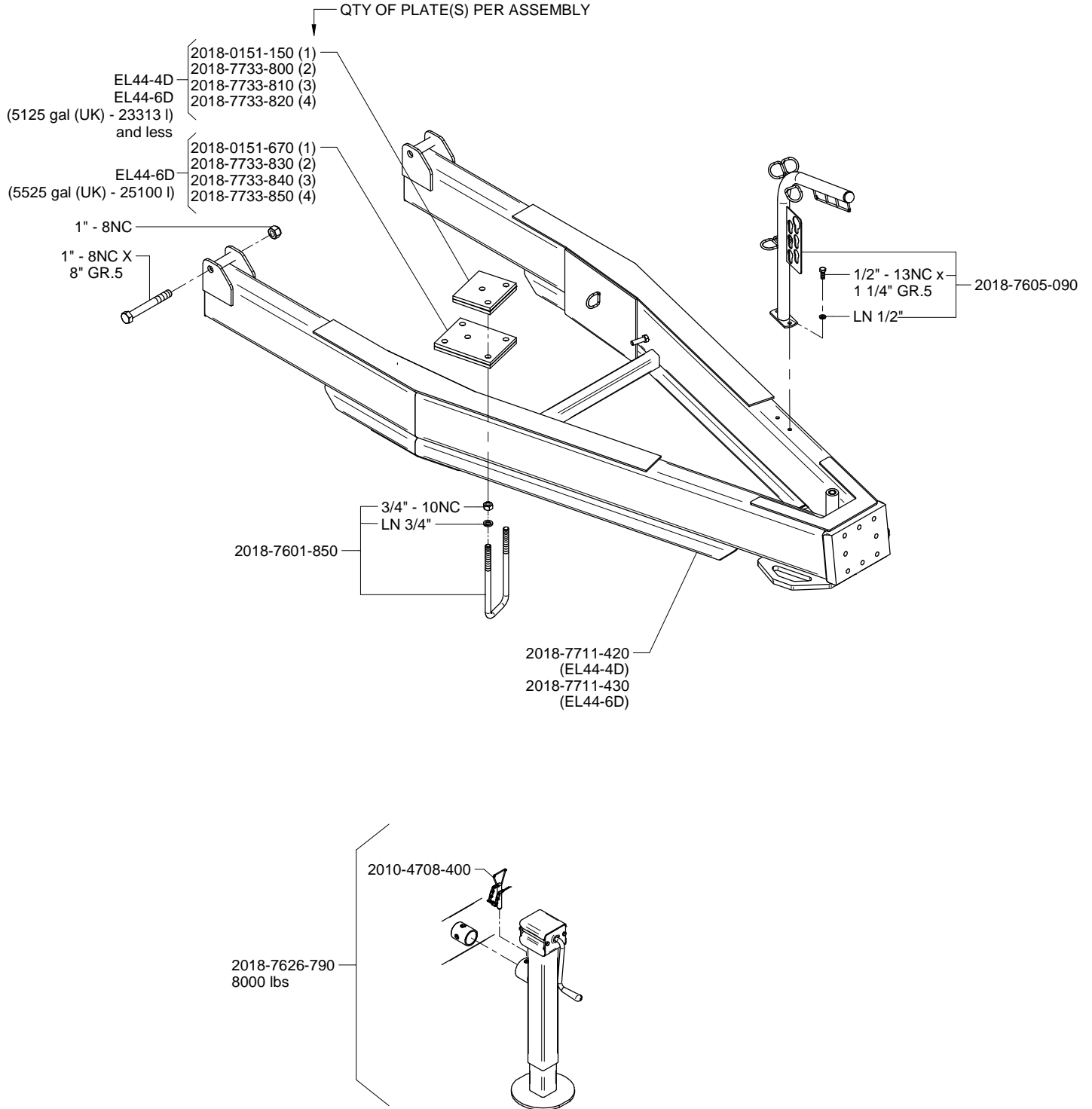
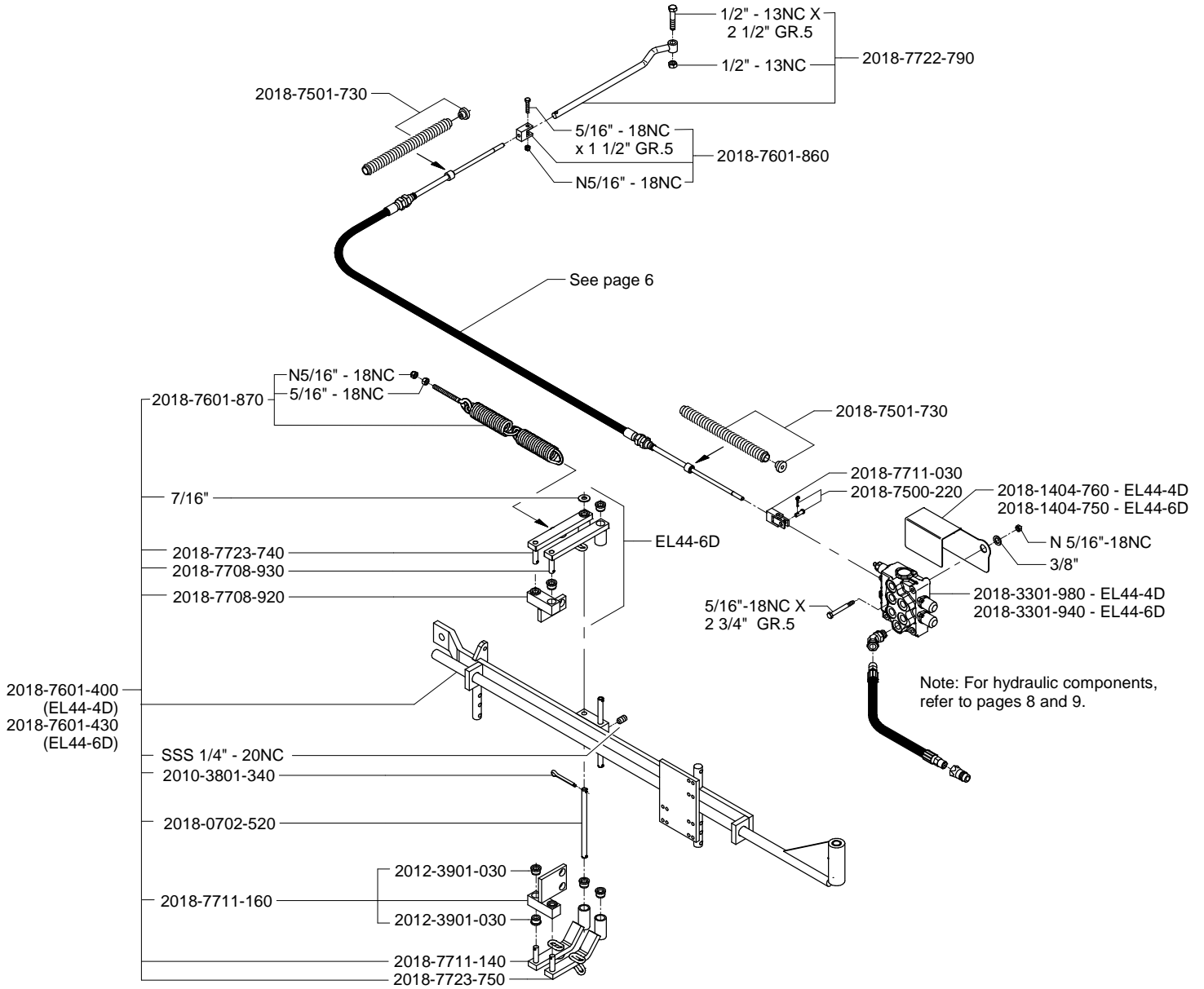


Table of contents.....	01
Hardware identification table.....	02
Ball hitch (Euro model).....	03
Draw bar.....	04
Power steering mechanism.....	05
Power steering cable.....	06
Directional cylinder.....	07
Hydraulic system - power steering system - 4D.....	08
Hydraulic system - power steering system - 6D.....	09
Axle.....	10
Suspension system.....	11
Air brake - drum, hub, axle shaft, rim, wheel and wheel nut wrench.....	12
Air brake - protective plate and air tank.....	13
Air Brake - pneumatic diagram - 4D.....	14
Air Brake - pneumatic diagram - 6D.....	15-16
Impeller, housing, intake and front drain.....	17
Bearing housing, impeller and housing cover plate.....	18
Self-loading system.....	19-20
Nursing kit system 6".....	21
Discharge pipe.....	22
Electronic Fill Indicator.....	23
In-tank recirculation kit.....	24
Rotative valve for actuator.....	25
Spreading nozzle and directional valve.....	26
Spreading nozzle pipe chart.....	27
Rear drain and fill indicator.....	28
Fill opening.....	29
Rear underrun.....	30
Signal lights.....	31
Ladder.....	32
Hydraulic jack on the transport support.....	33

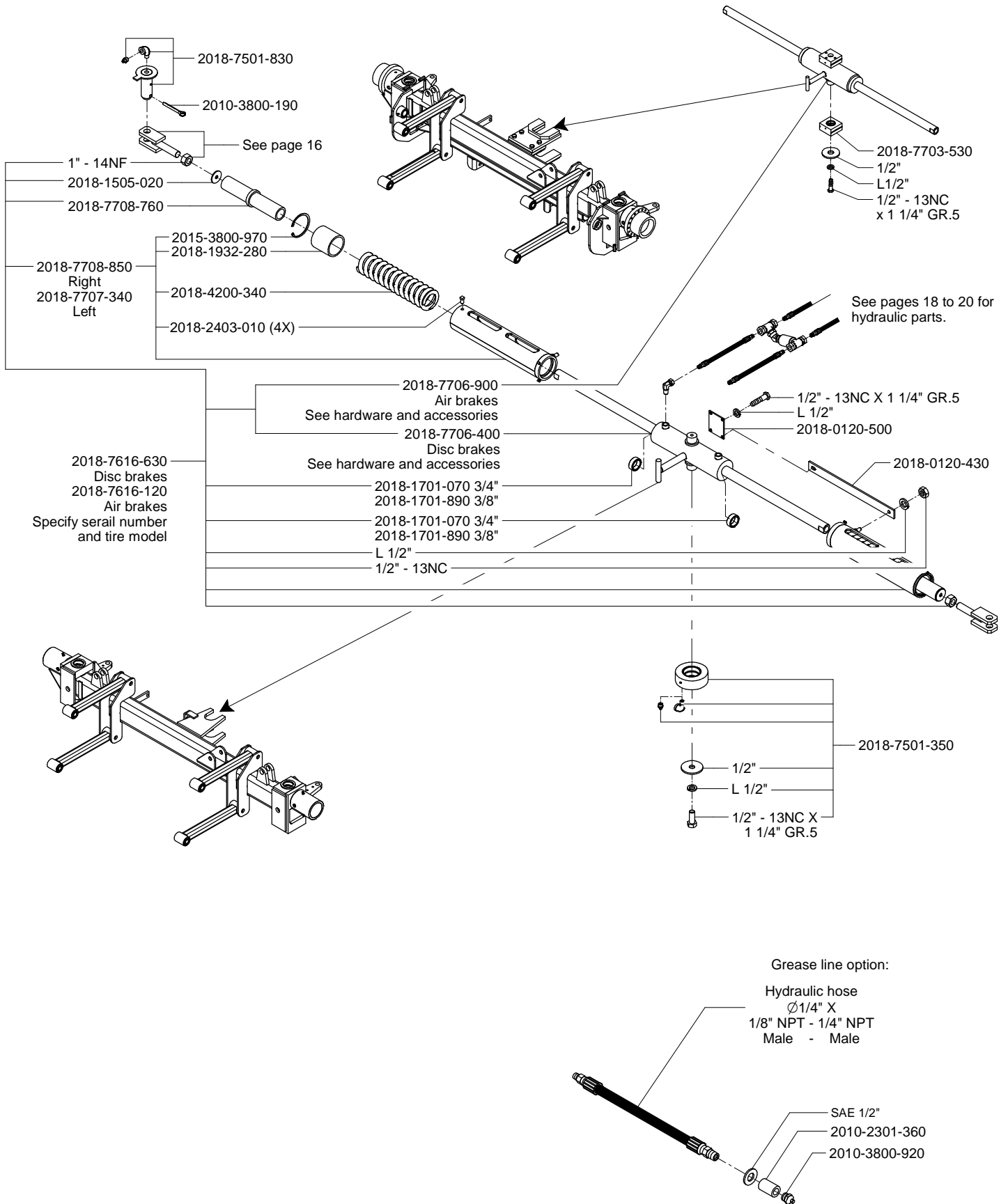
Hardware Identification	
Type	Designation
Hexagonal bolt	-
Carriage bolt	CB
Square head bolt	SB
Socket head cap screw	SCS
Socket head set screw	SSS
Flat head cap screw	FCS
Hexagon nut	-
Hexagon nylon lock nut	N
Hexagon oval lock nut	OVL
Hexagon tri-lock nut	TRI
Castle nut	CSL
Flange nut	FLN
Wing nut	WNG
Flat washer	-
Lock washer	L
SAE washer	SAE
Large ext. dia. washer	LD
Small ext. dia. washer	SD
Stainless steel bolts parts	SS

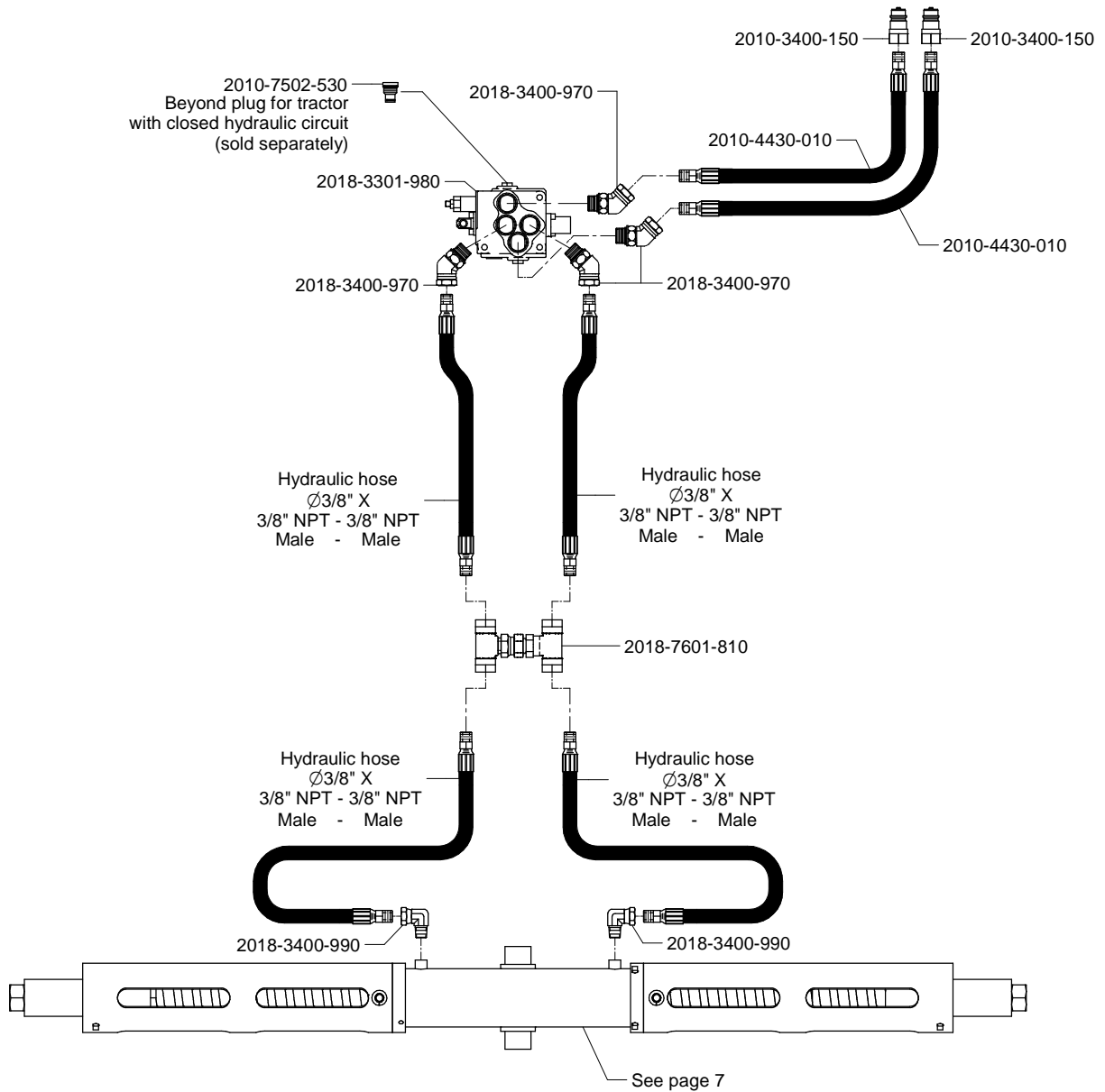


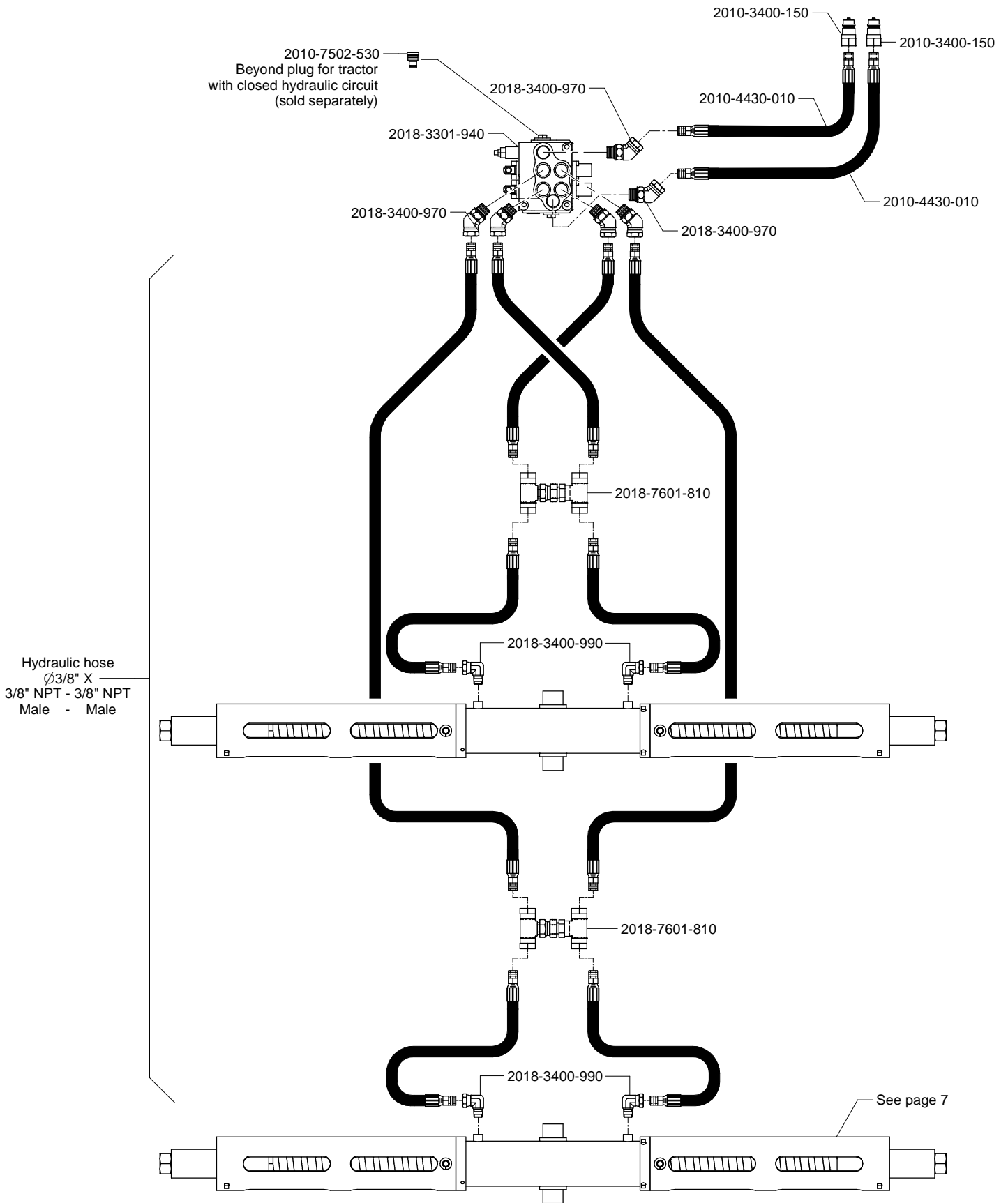


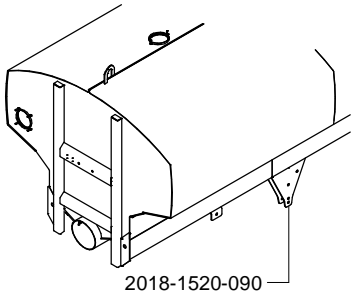


POWER STEERING CABLE			
Length	Part #	Length	Part #
142"	2018-3710-030	232"	2018-3710-240
146"	2018-3710-040	234"	2018-3710-250
150"	2018-3710-050	262"	2018-3710-030
154"	2018-3710-060	278"	2018-3710-350
158"	2018-3710-070	290"	2018-3710-370
162"	2018-3710-080	294"	2018-3710-380
166"	2018-3710-100	296"	2018-3710-390
170"	2018-3710-600	302"	2018-3710-420
174"	2018-3710-110	306"	2018-3710-650
178"	2018-3710-130	310"	2018-3710-440
182"	2018-3710-140	314"	2018-3710-450
186"	2018-3710-150	318"	2018-3710-460
190"	2018-3710-160	322"	2018-3710-660
194"	2018-3710-170	326"	2018-3710-470
218"	2018-3710-190	330"	2018-3710-670
220"	2018-3710-200	334"	2018-3710-480
222"	2018-3710-210	338"	2018-3710-490
230"	2018-3710-230		

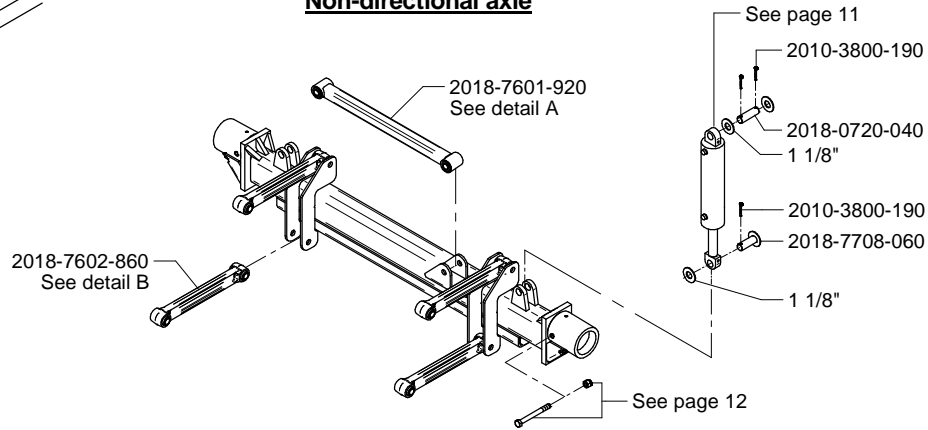




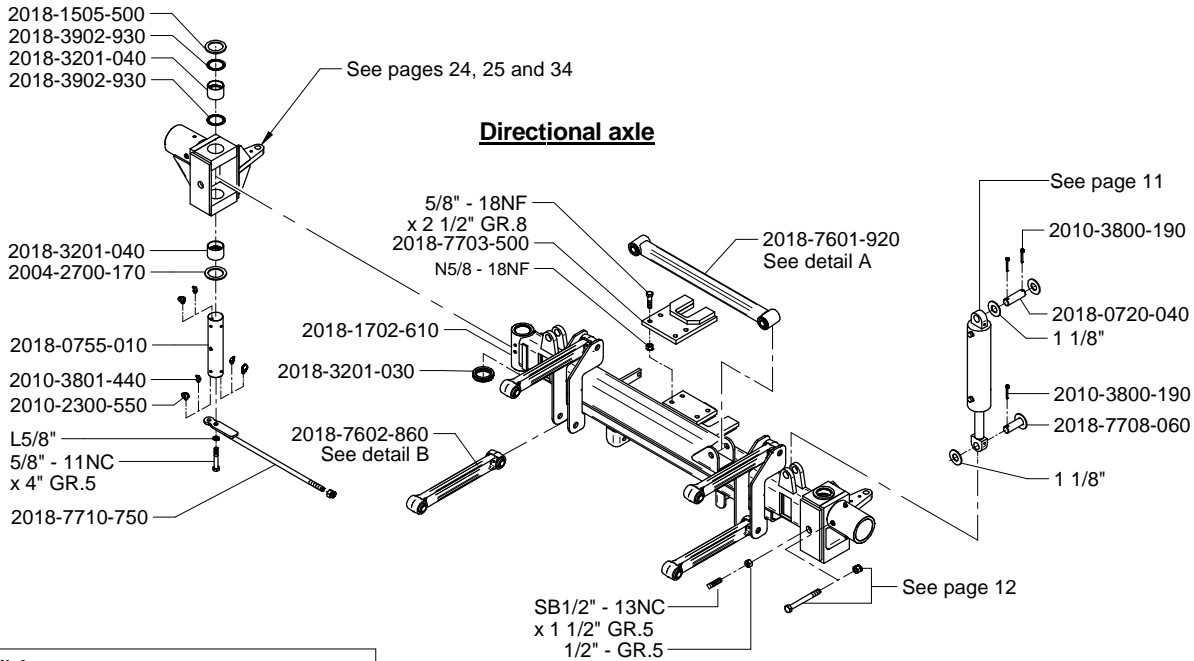




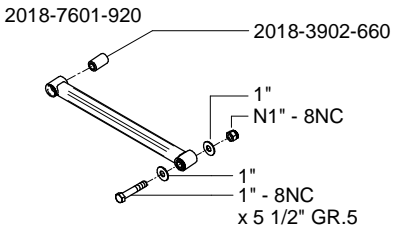
Non-directional axle



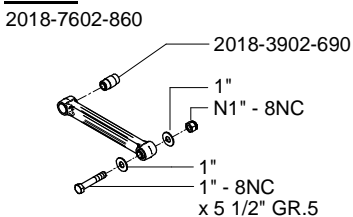
Directional axle



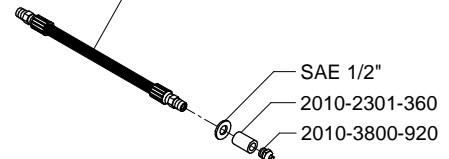
Detail A

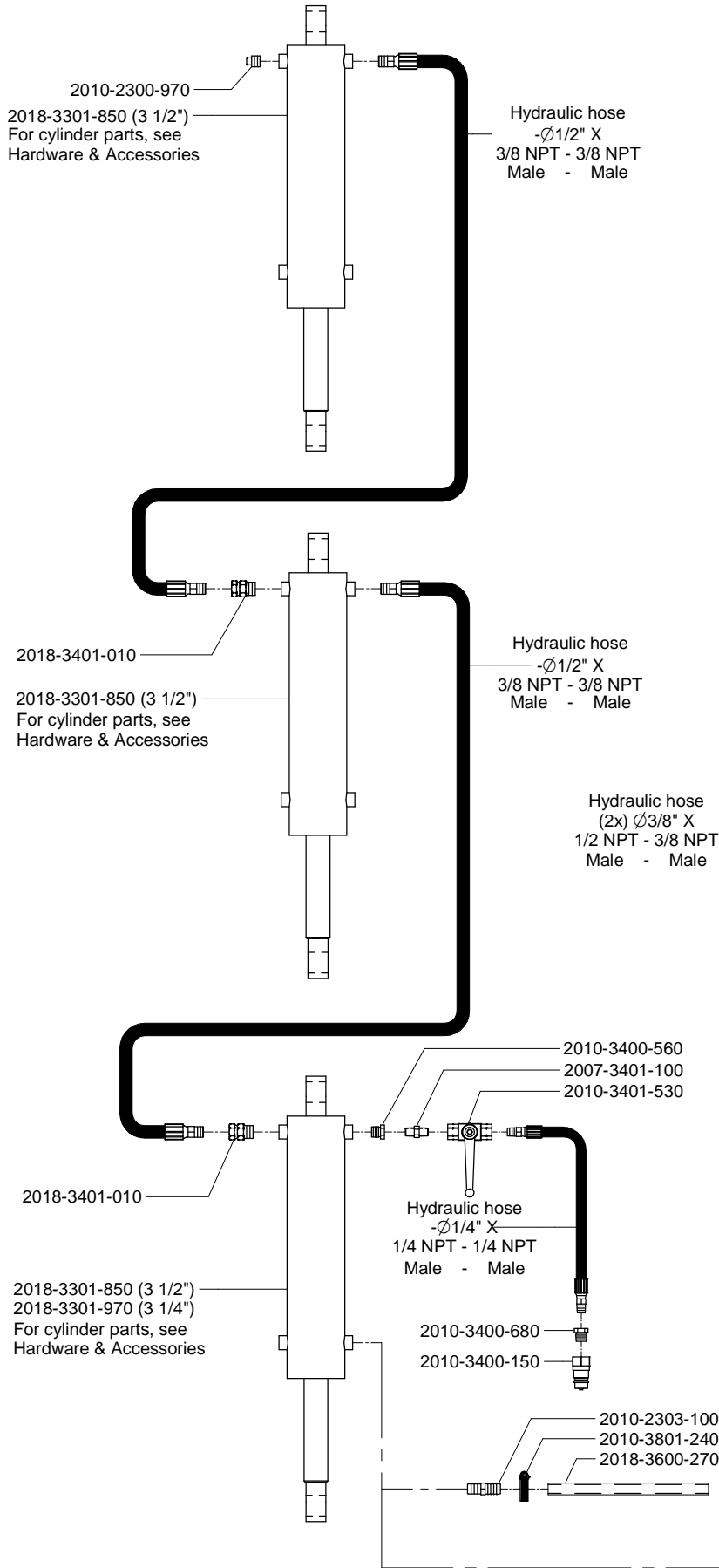


Detail B

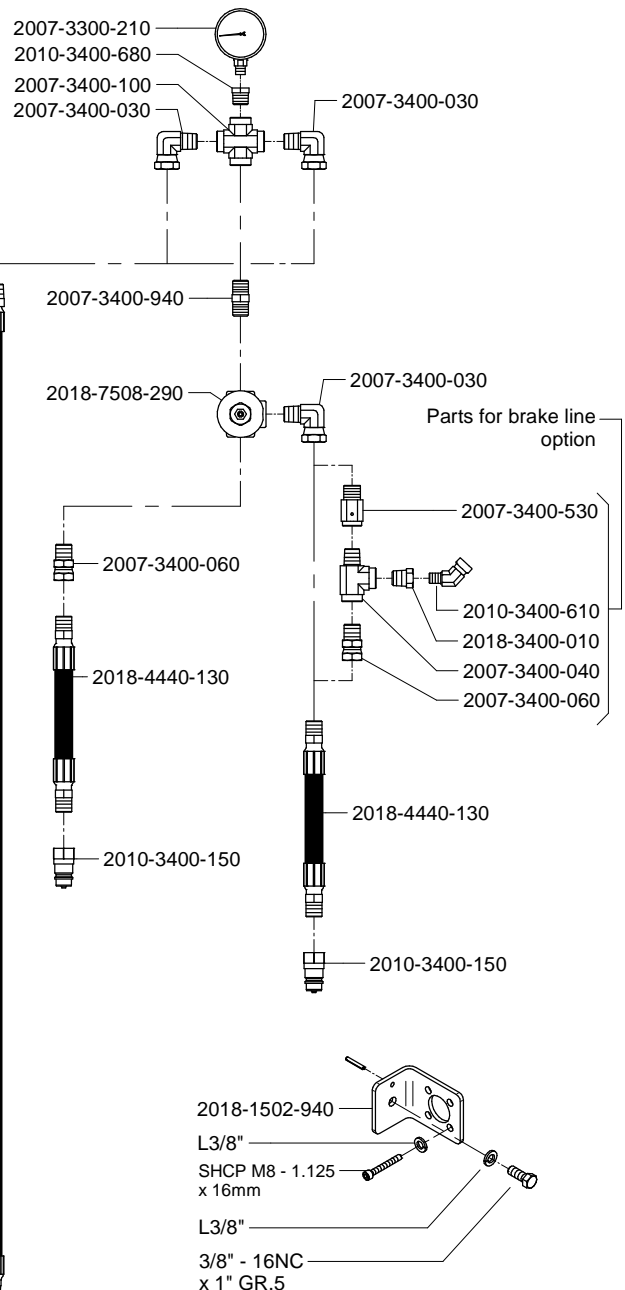


Grease line option: Hyd. hose
Ø1/4" X
1/4" NPT - 1/4" NPT
Male - Male

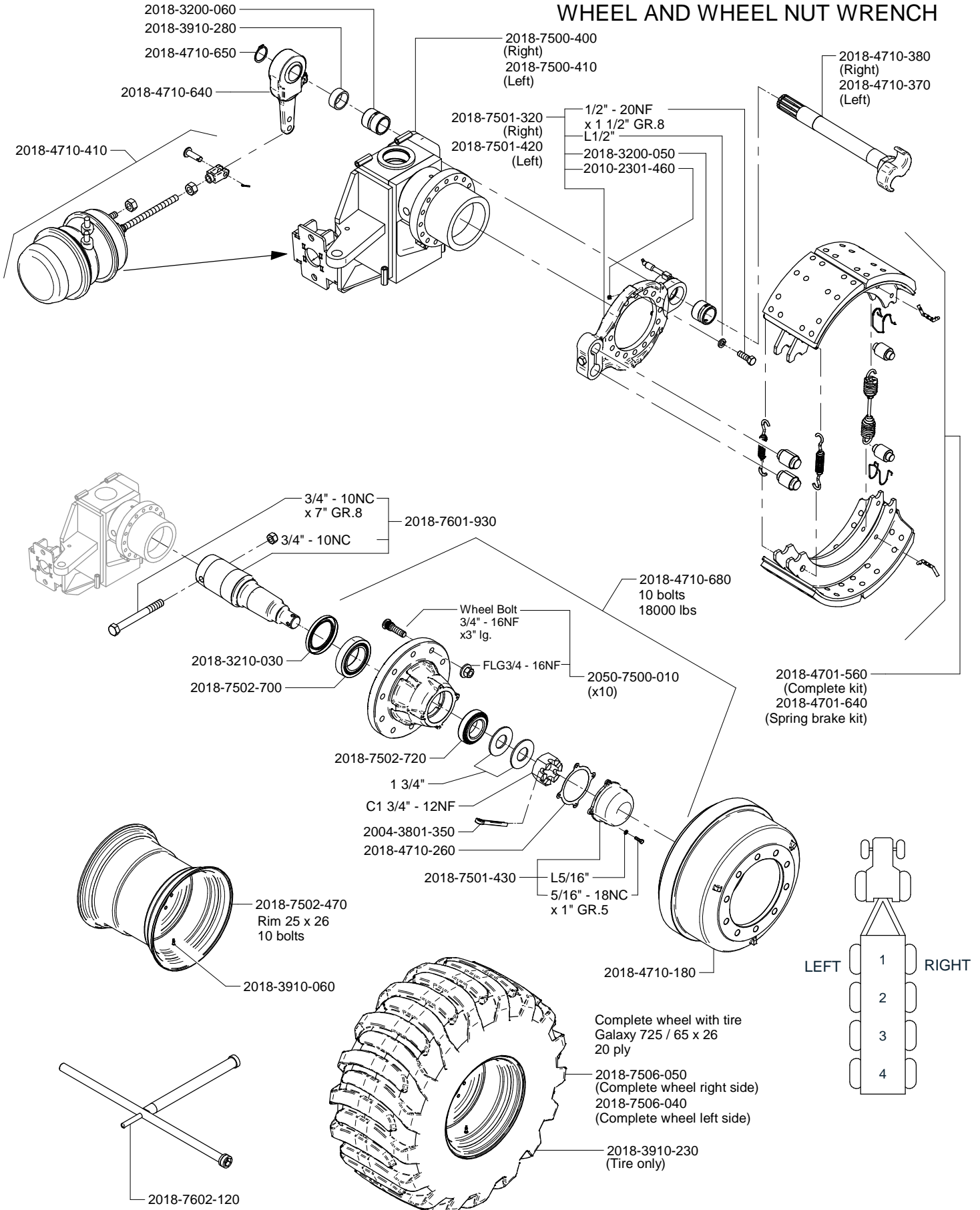


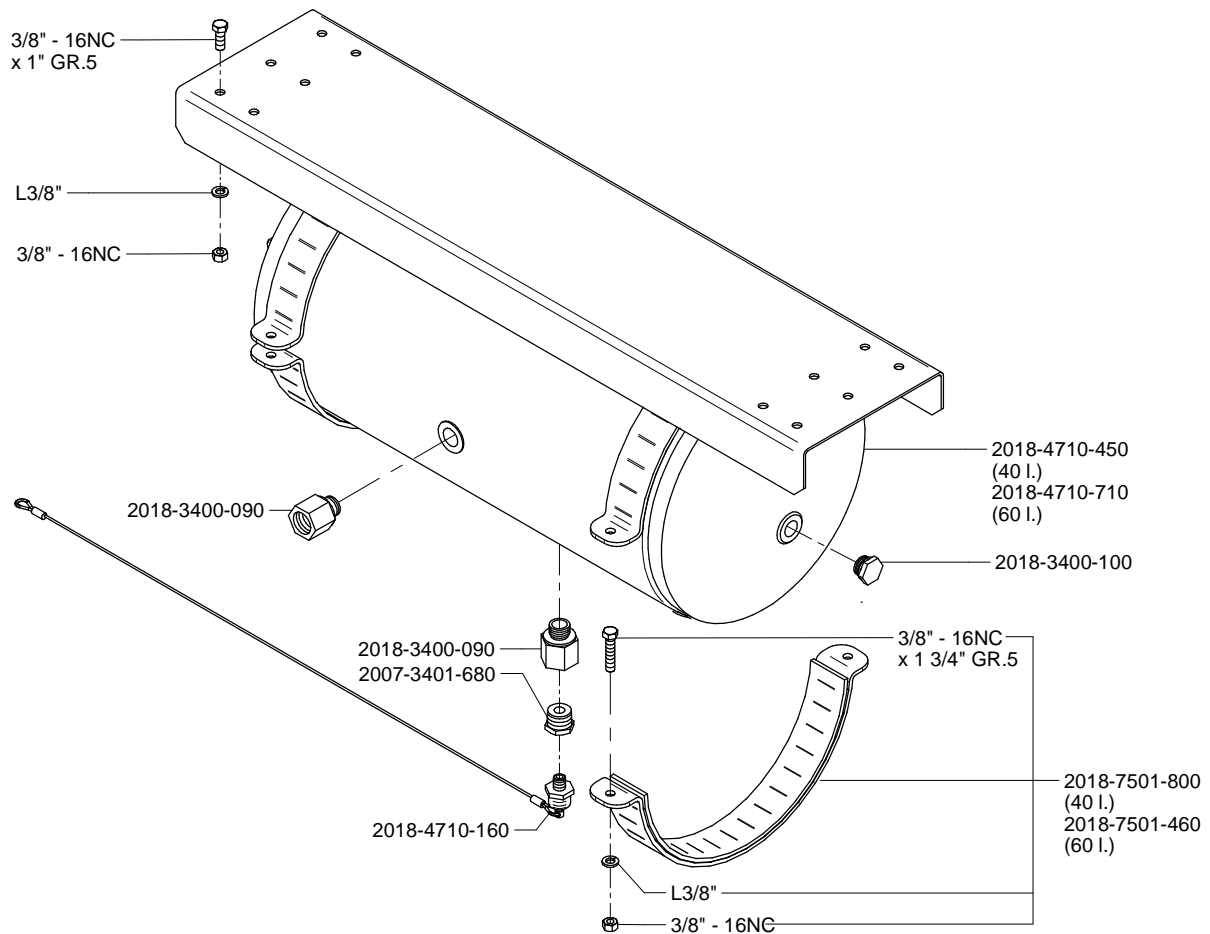
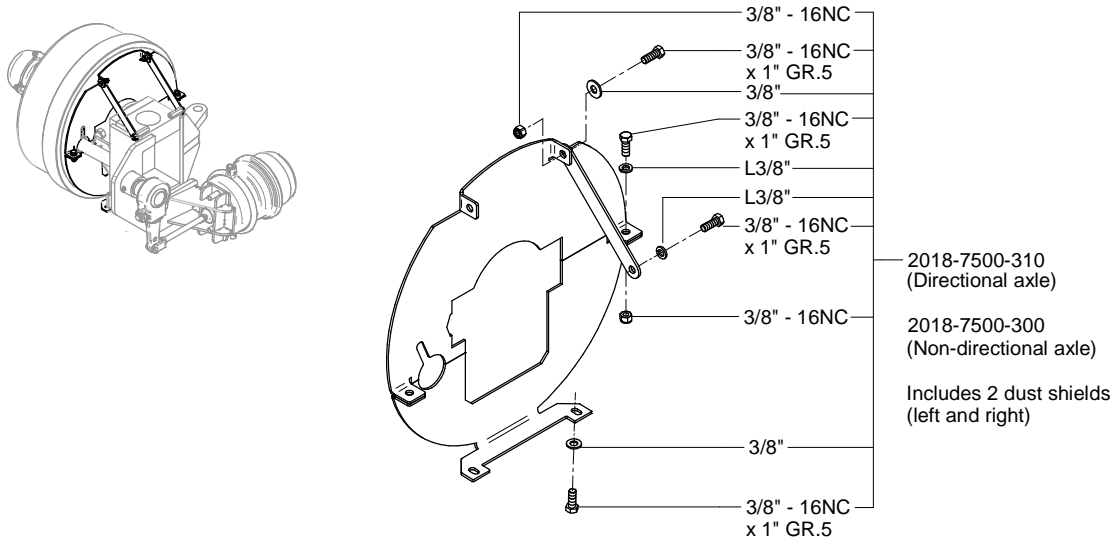


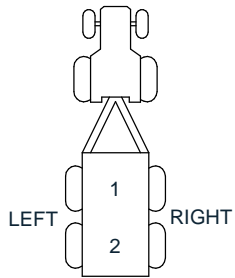
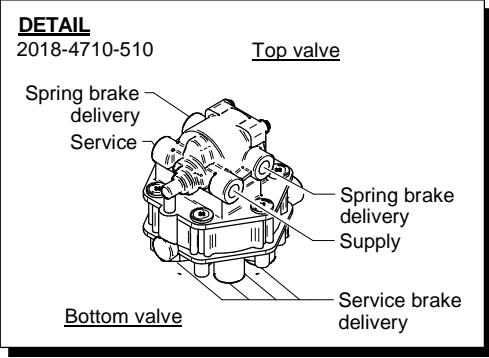
Hydraulic weight transfer system option



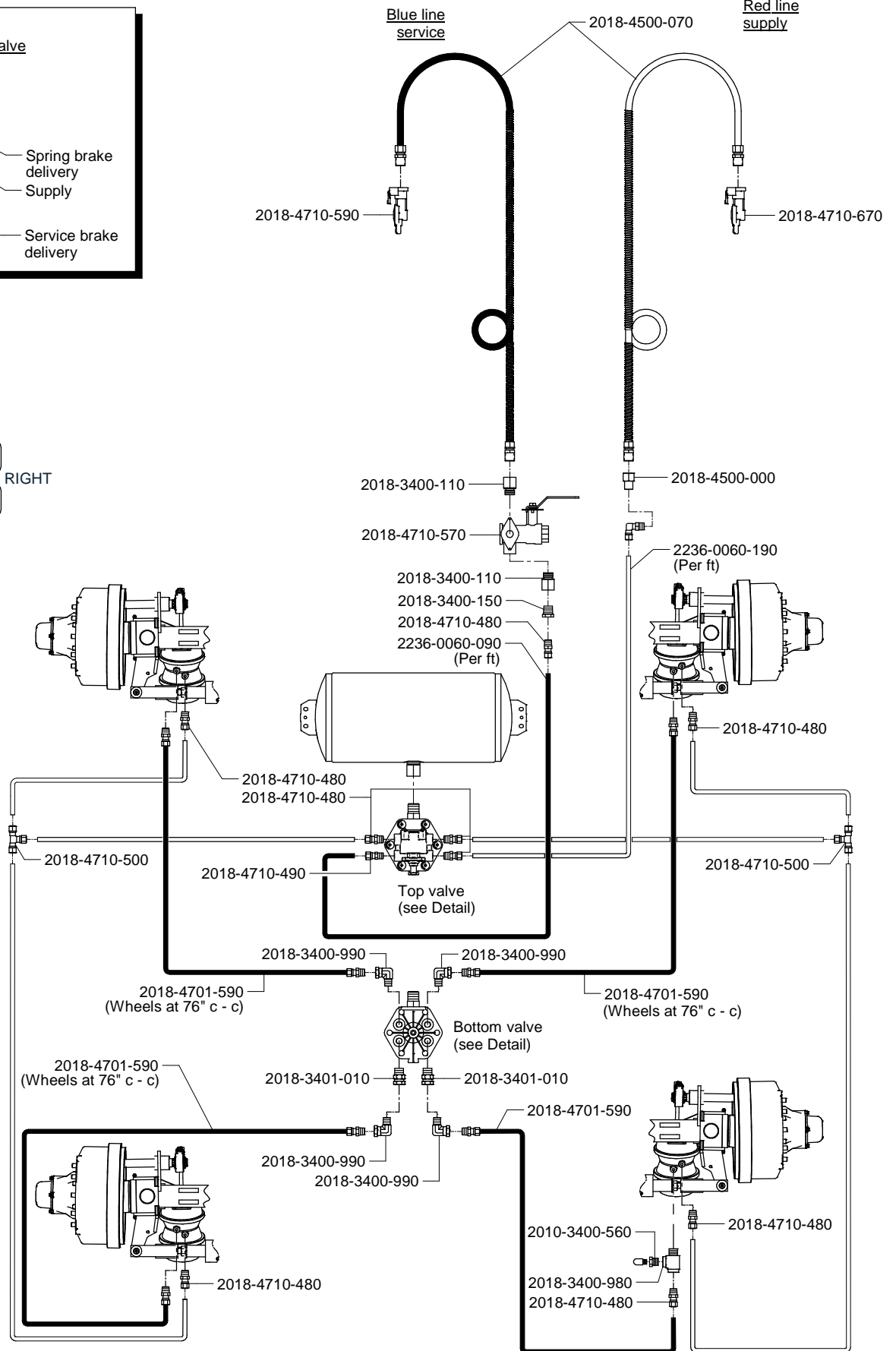
AIR BRAKE - DRUM, HUB, AXLE SHAFT, RIM, WHEEL AND WHEEL NUT WRENCH



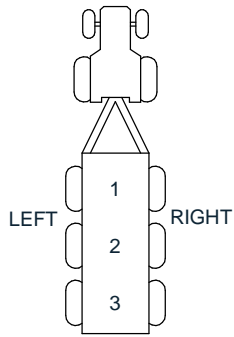
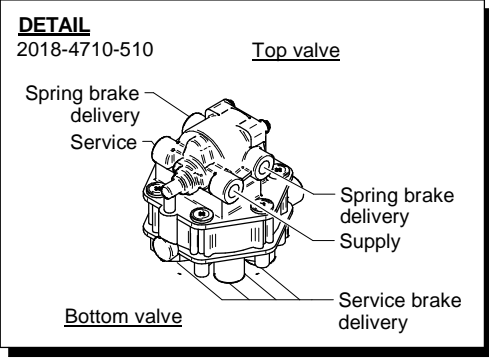




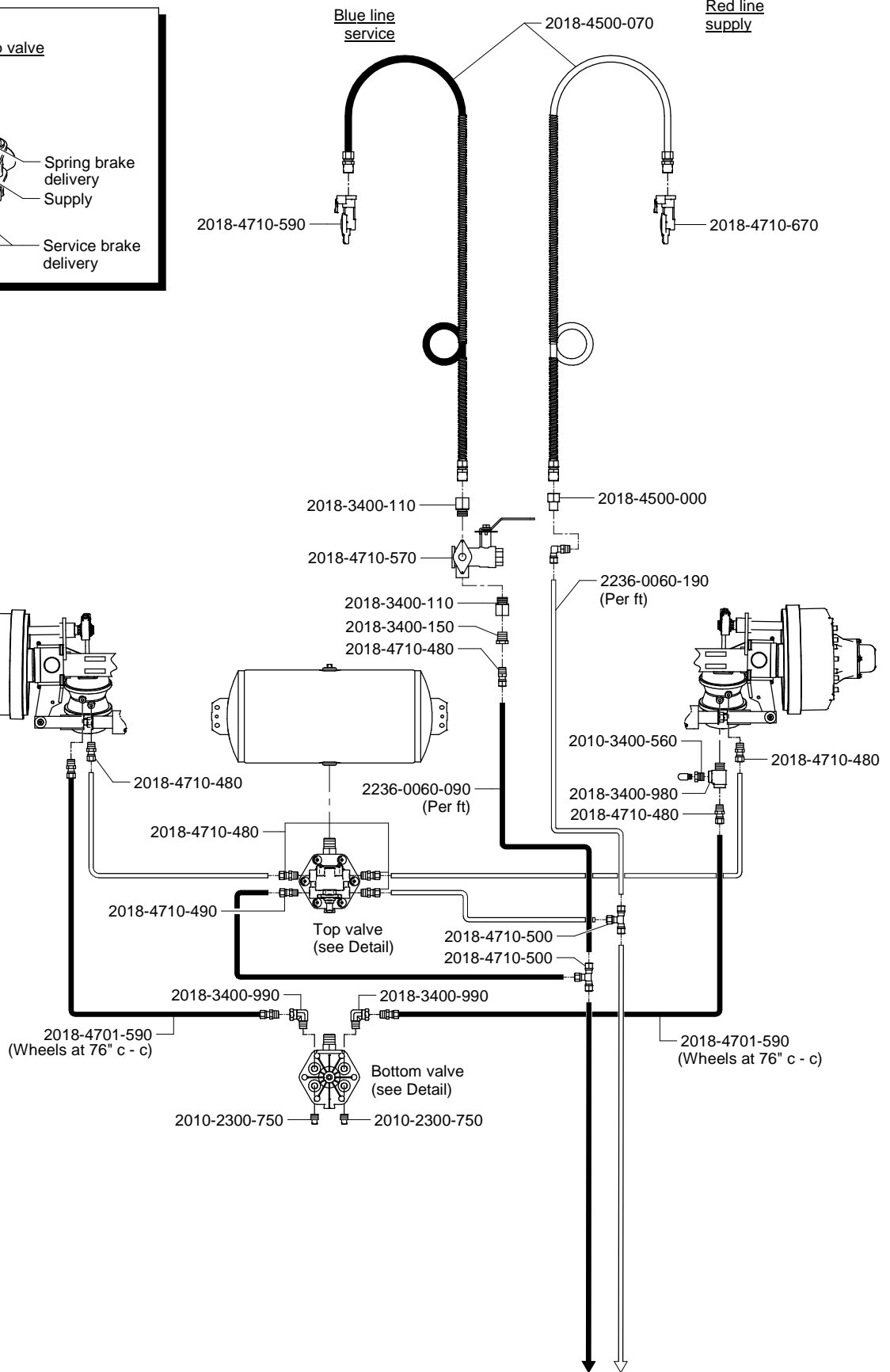
Axle 1

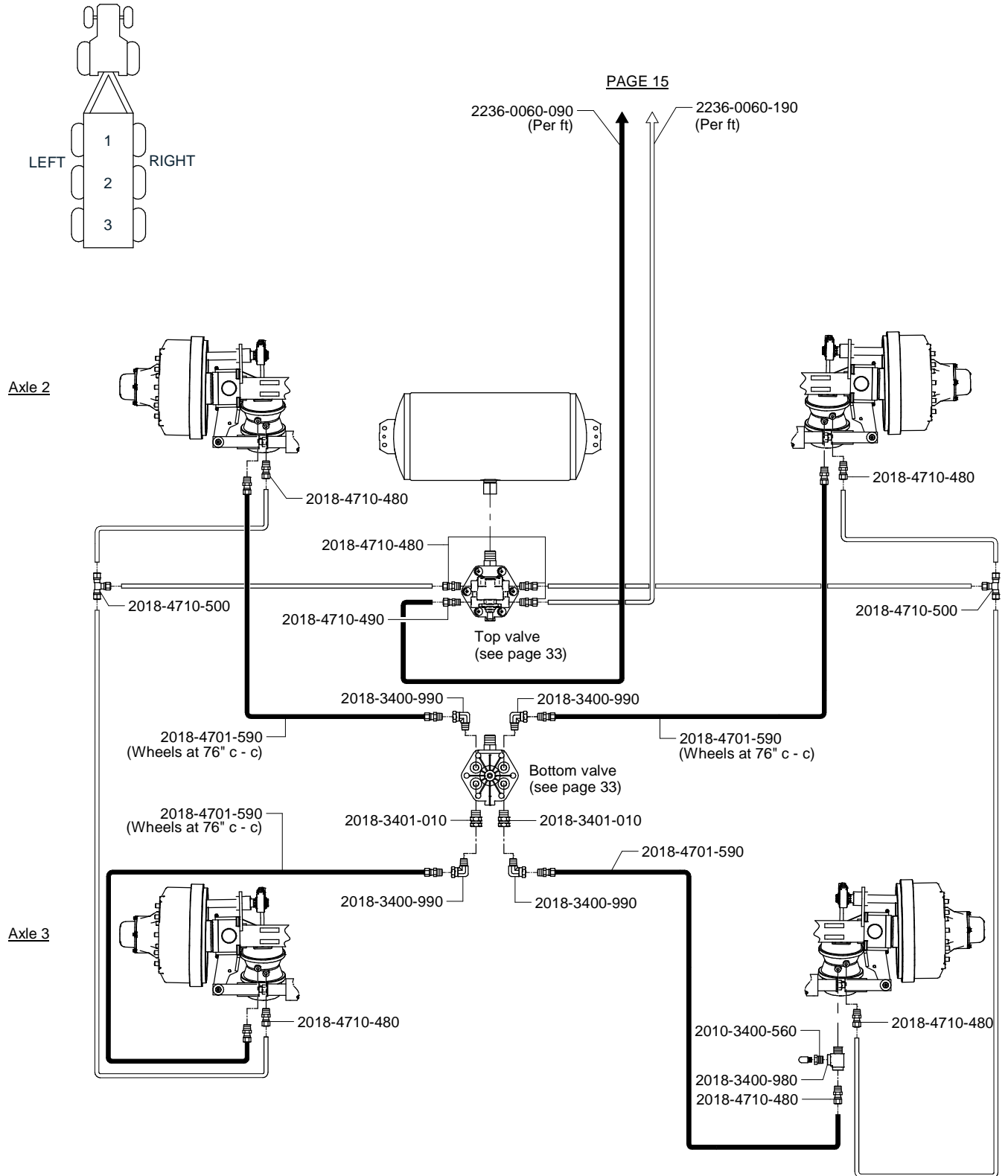


Axle 2

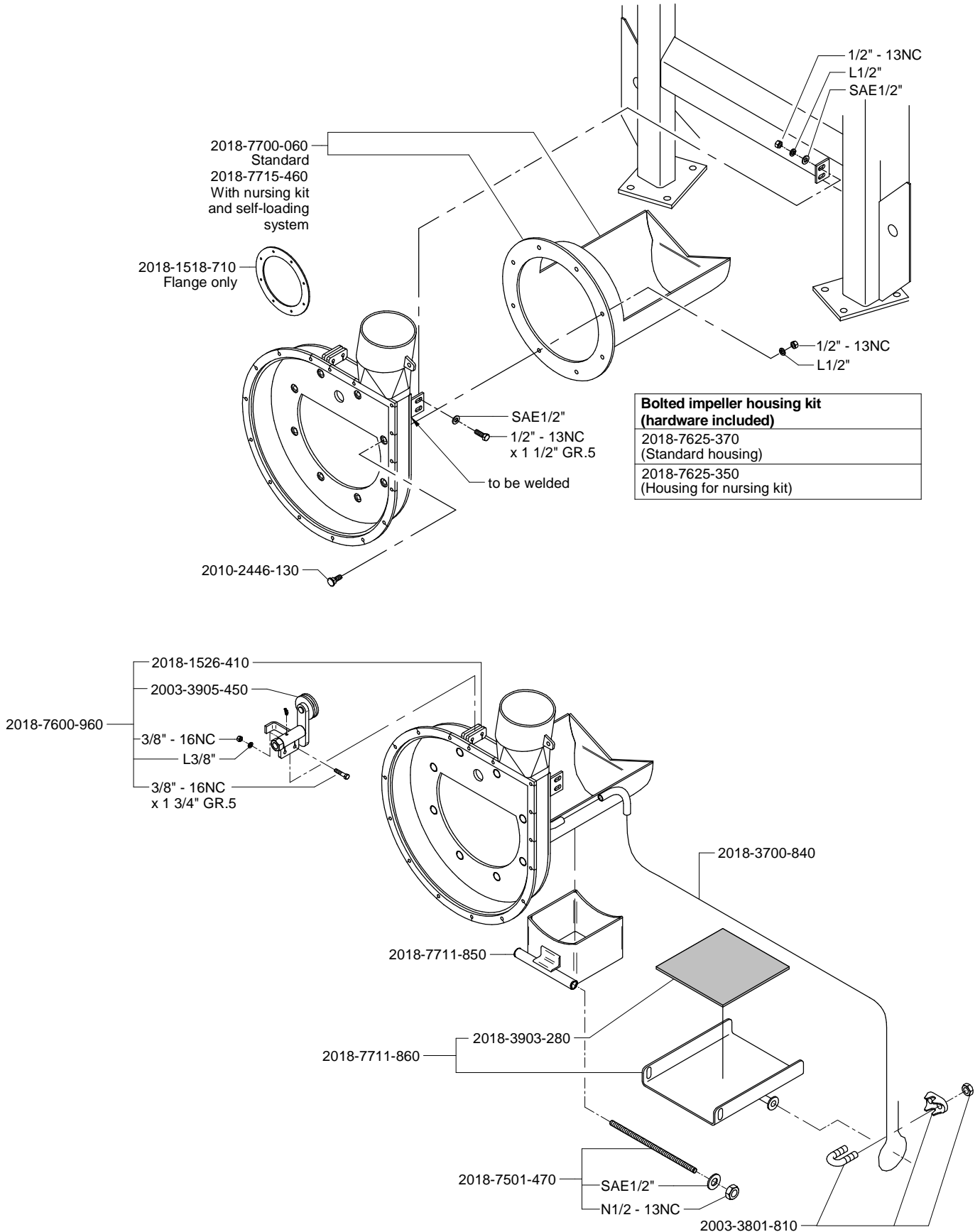


Axle 1

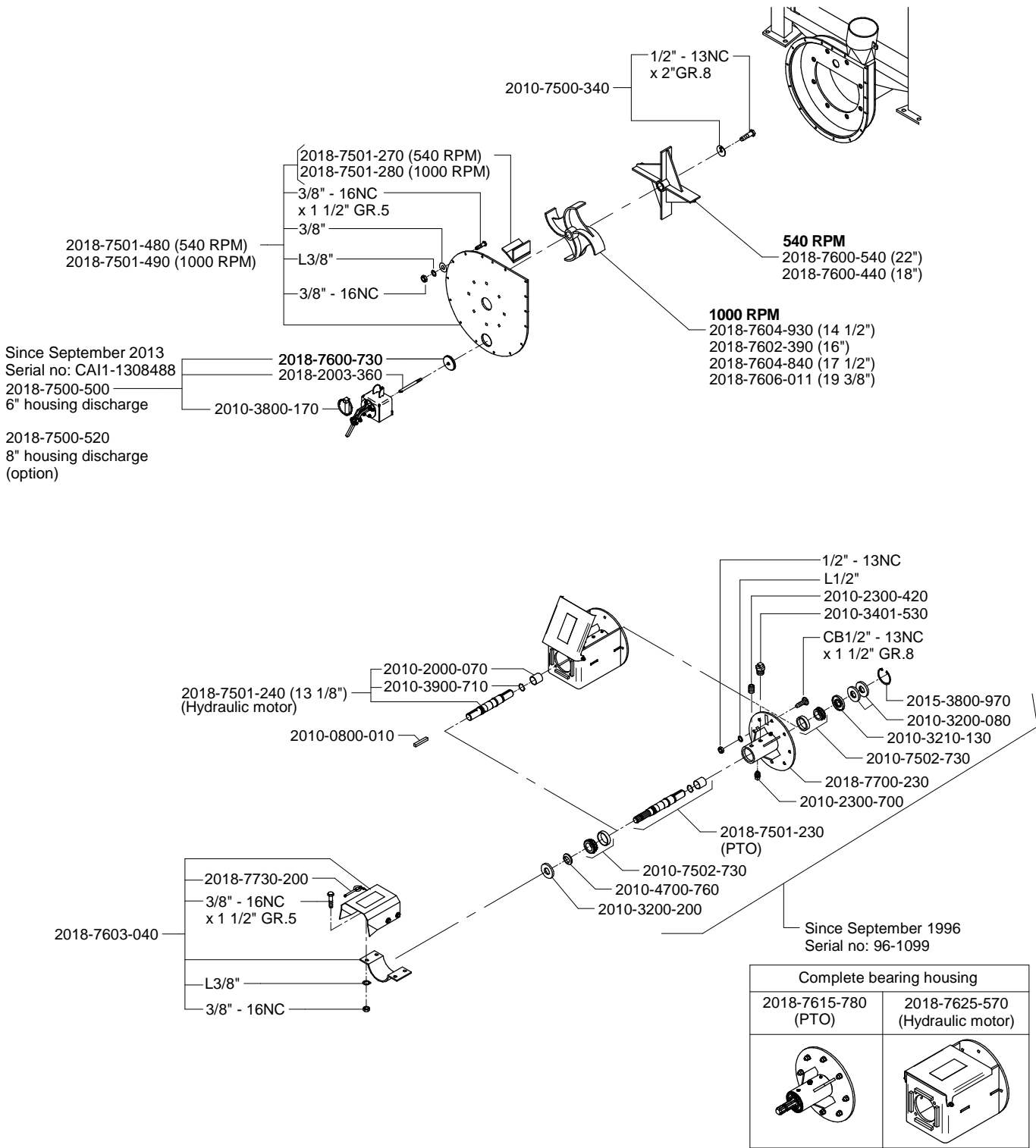


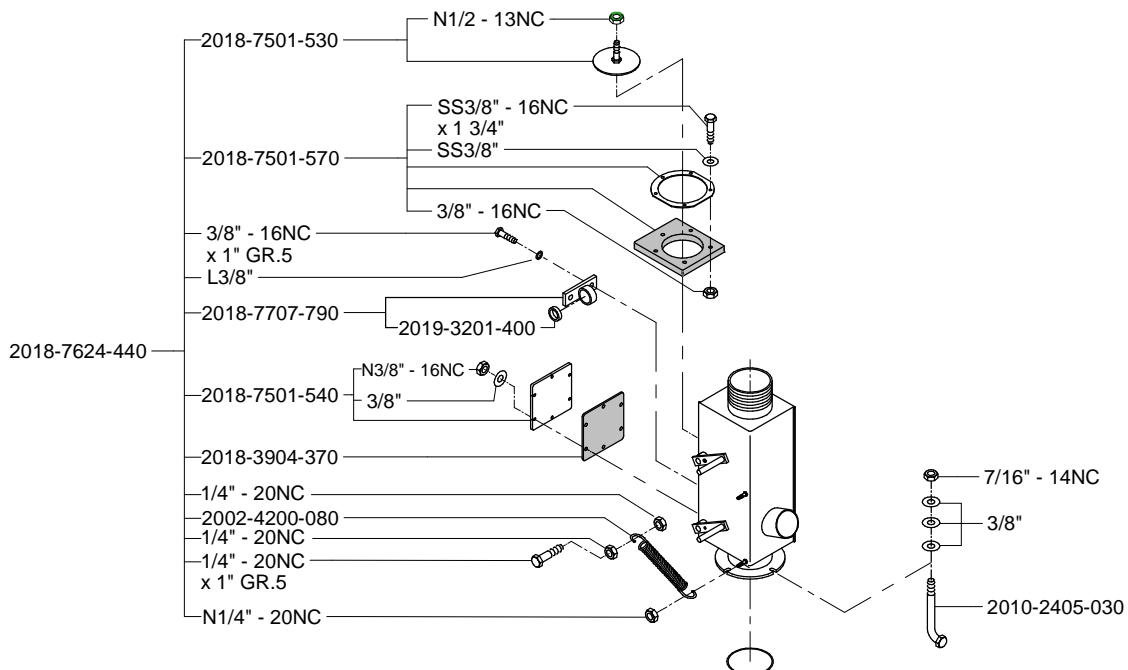
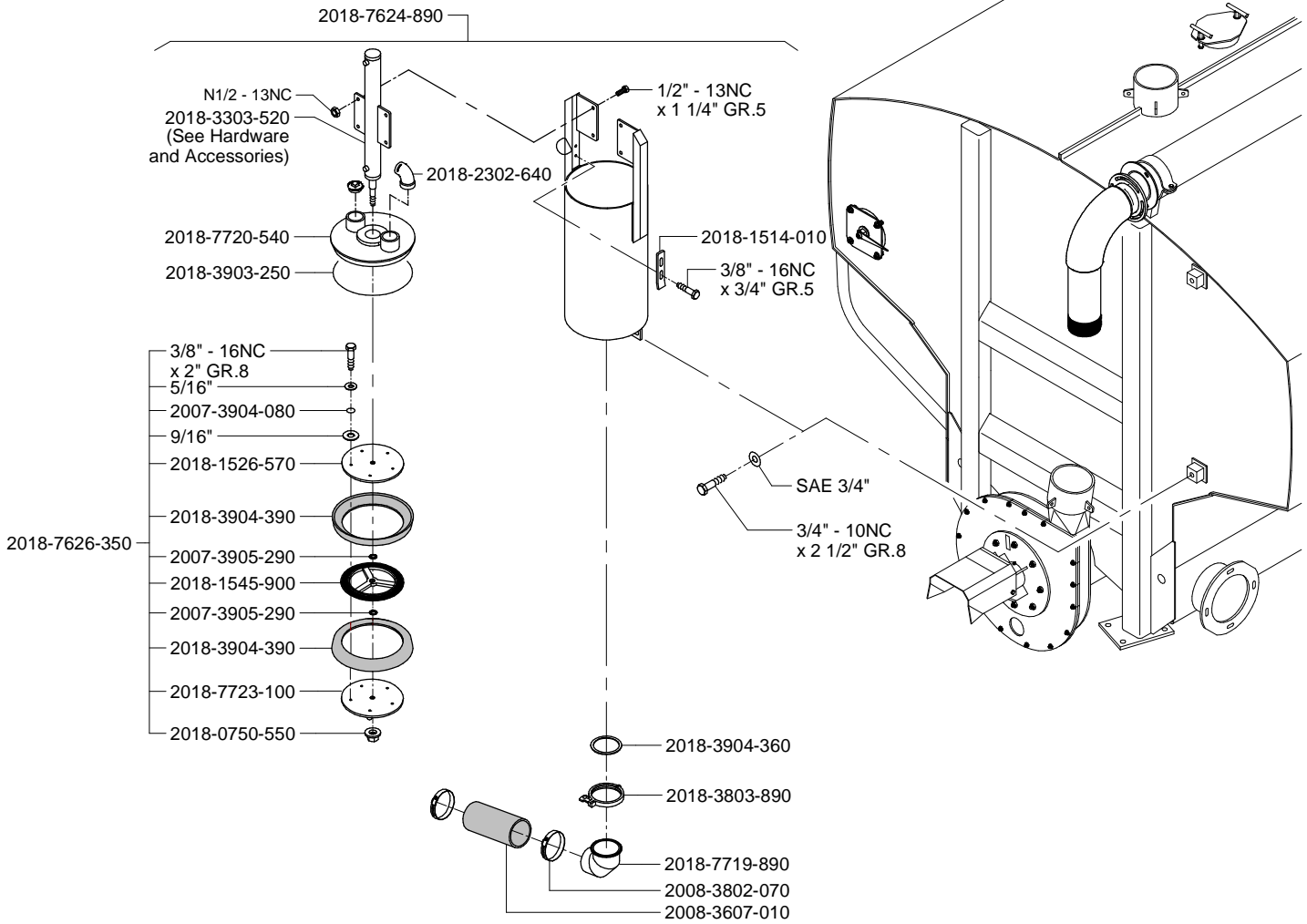


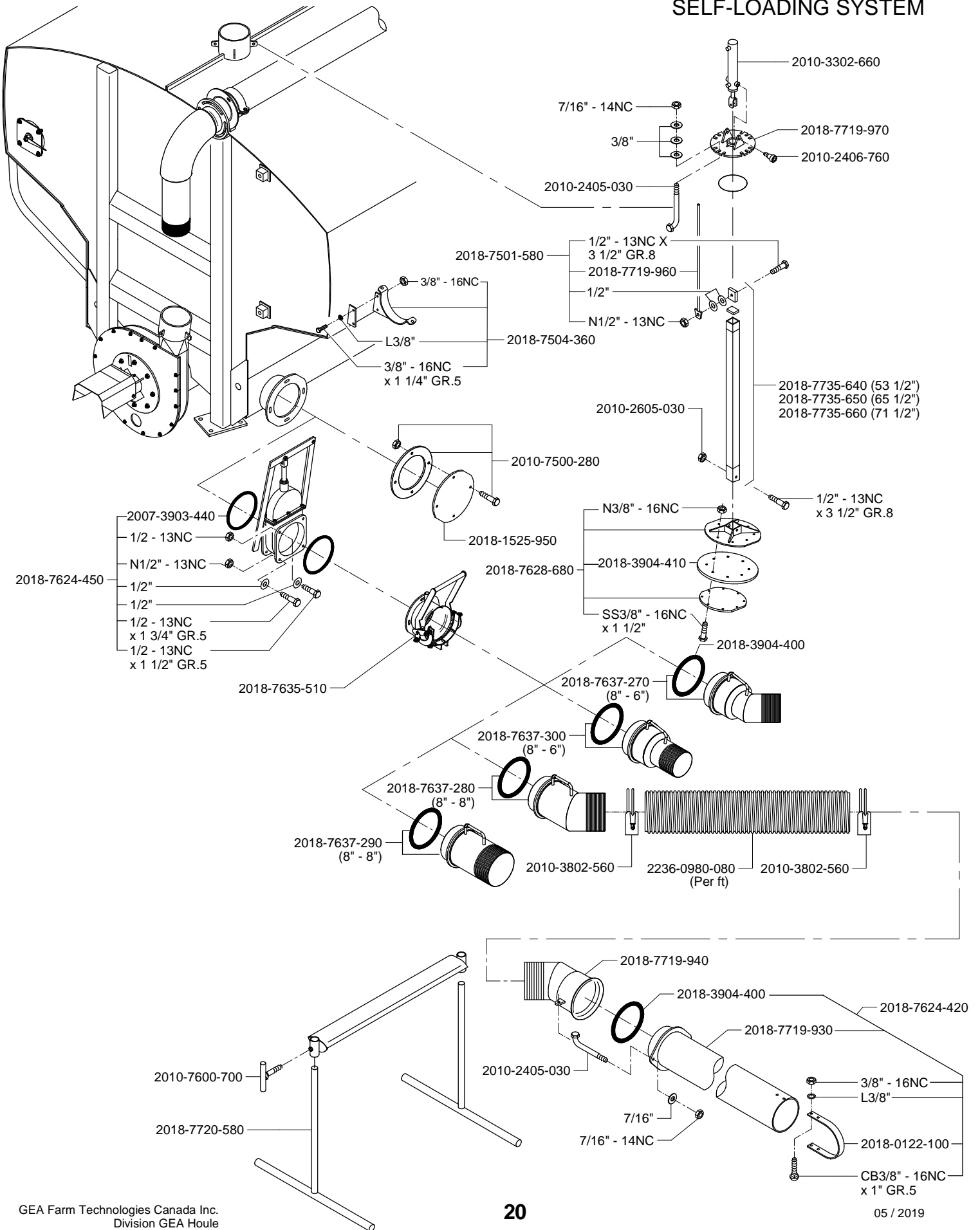
IMPELLER, HOUSING, INTAKE AND FRONT DRAIN



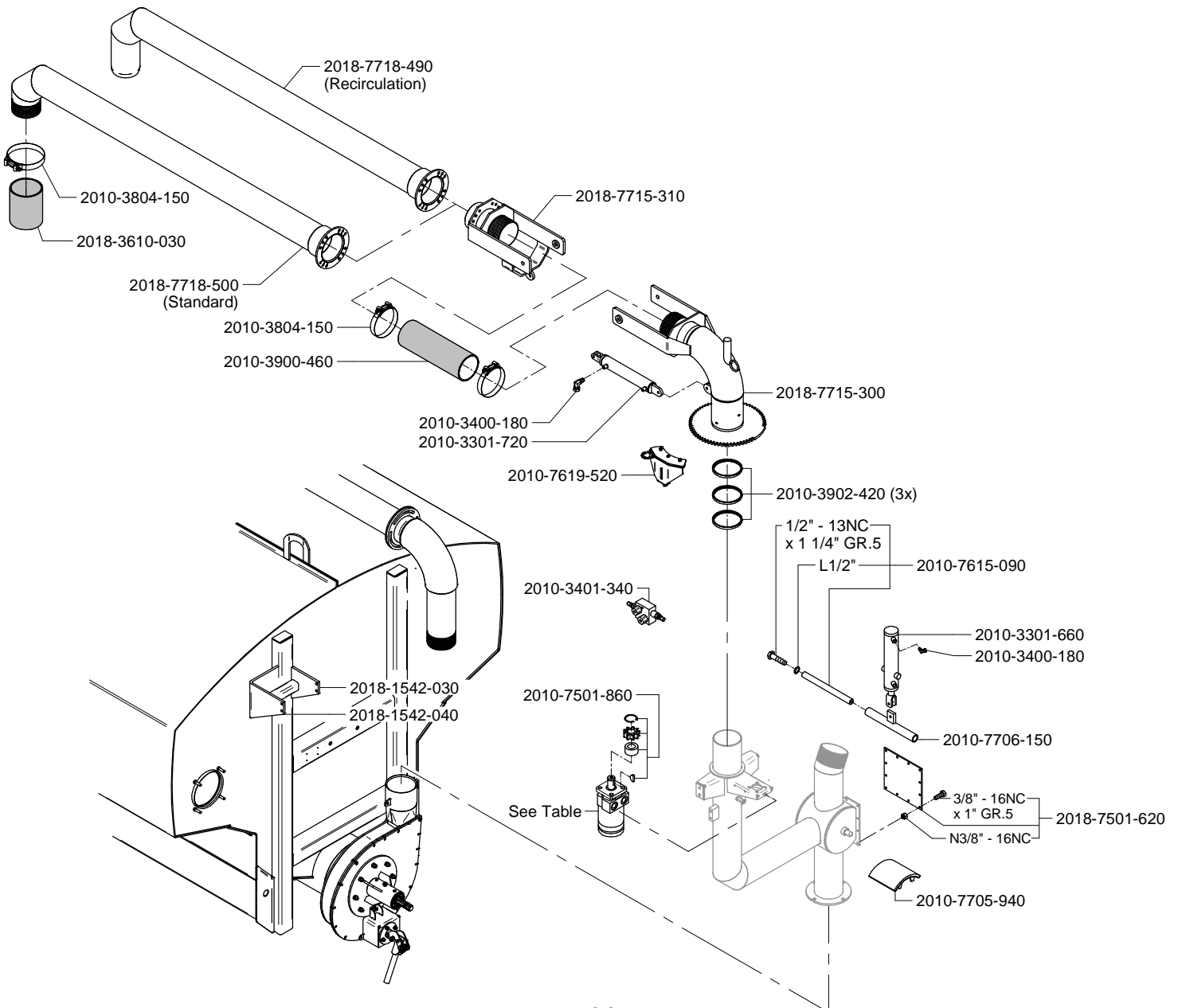
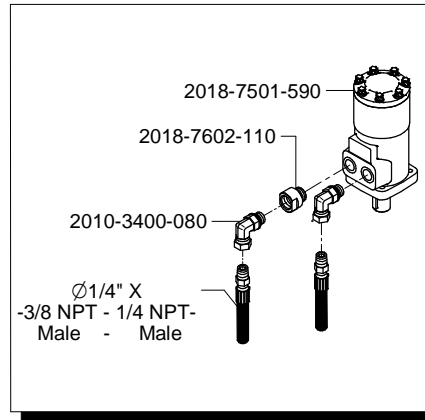
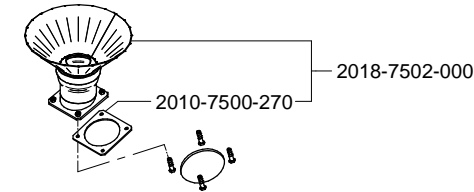
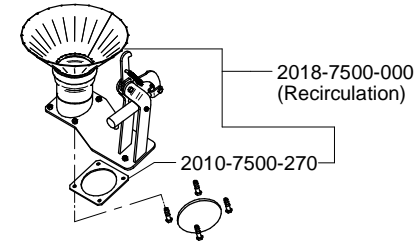
BEARING HOUSING IMPELLER, AND HOUSING COVER PLATE





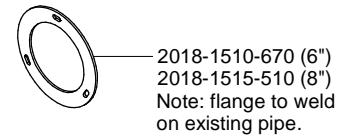
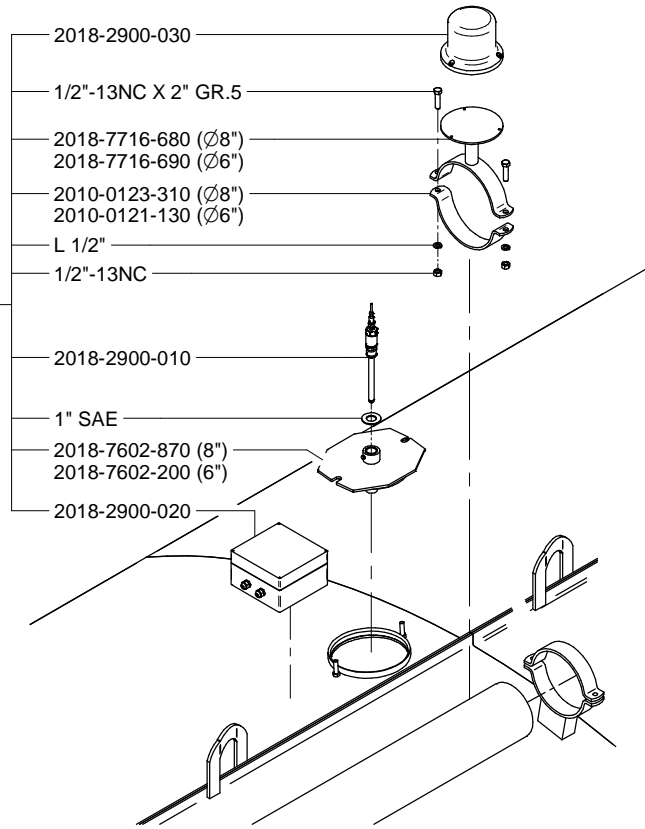


Note: For hydraulic cylinder or motor seal kit replacement, refer to Hardware & Accessories.



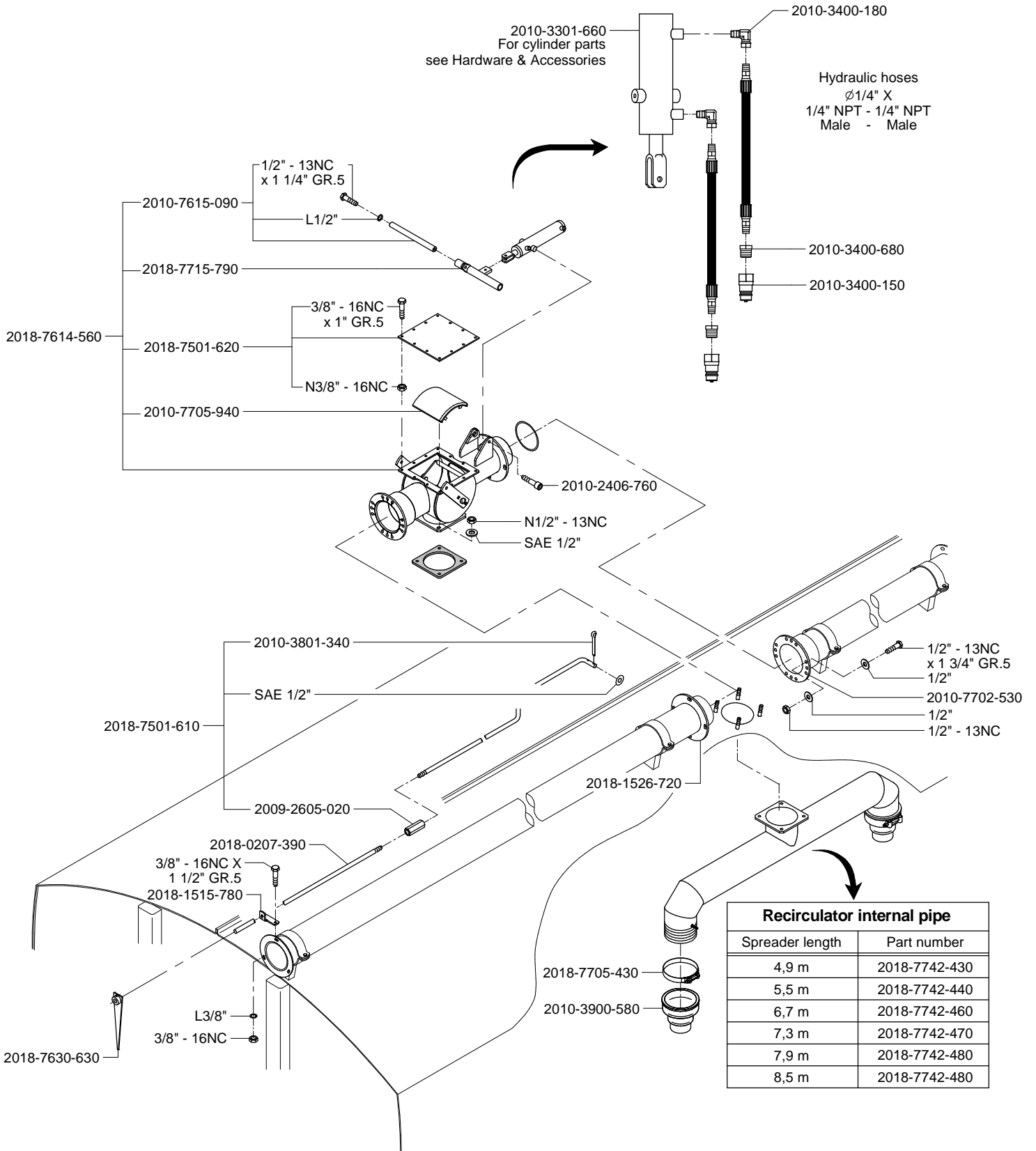
**ELECTRONIC FILL INDICATOR
DISCHARGE PIPE (CONTINUED)**

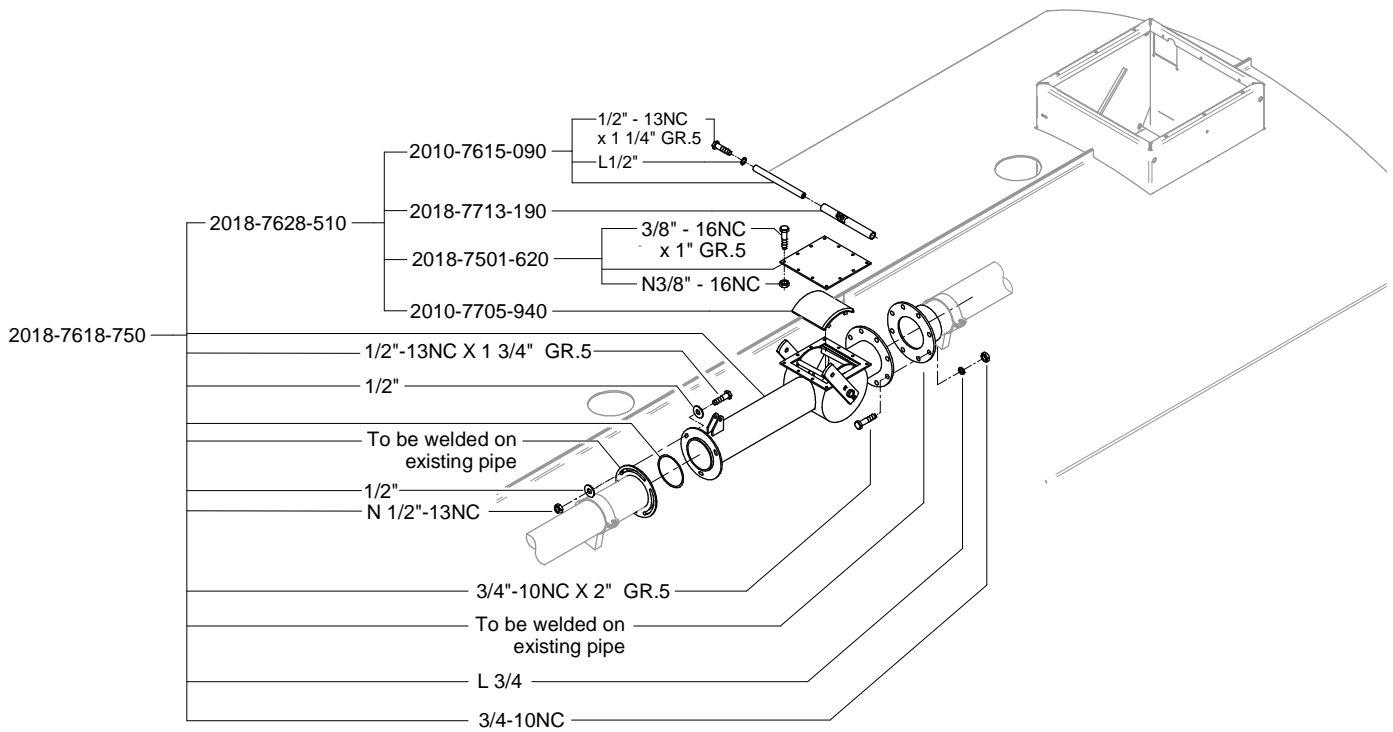
#	LID	PIPE
2018-7502-880	8"	8"
2018-7502-980	8"	6"
2018-7502-190	6"	8"
2018-7502-200	6"	6"

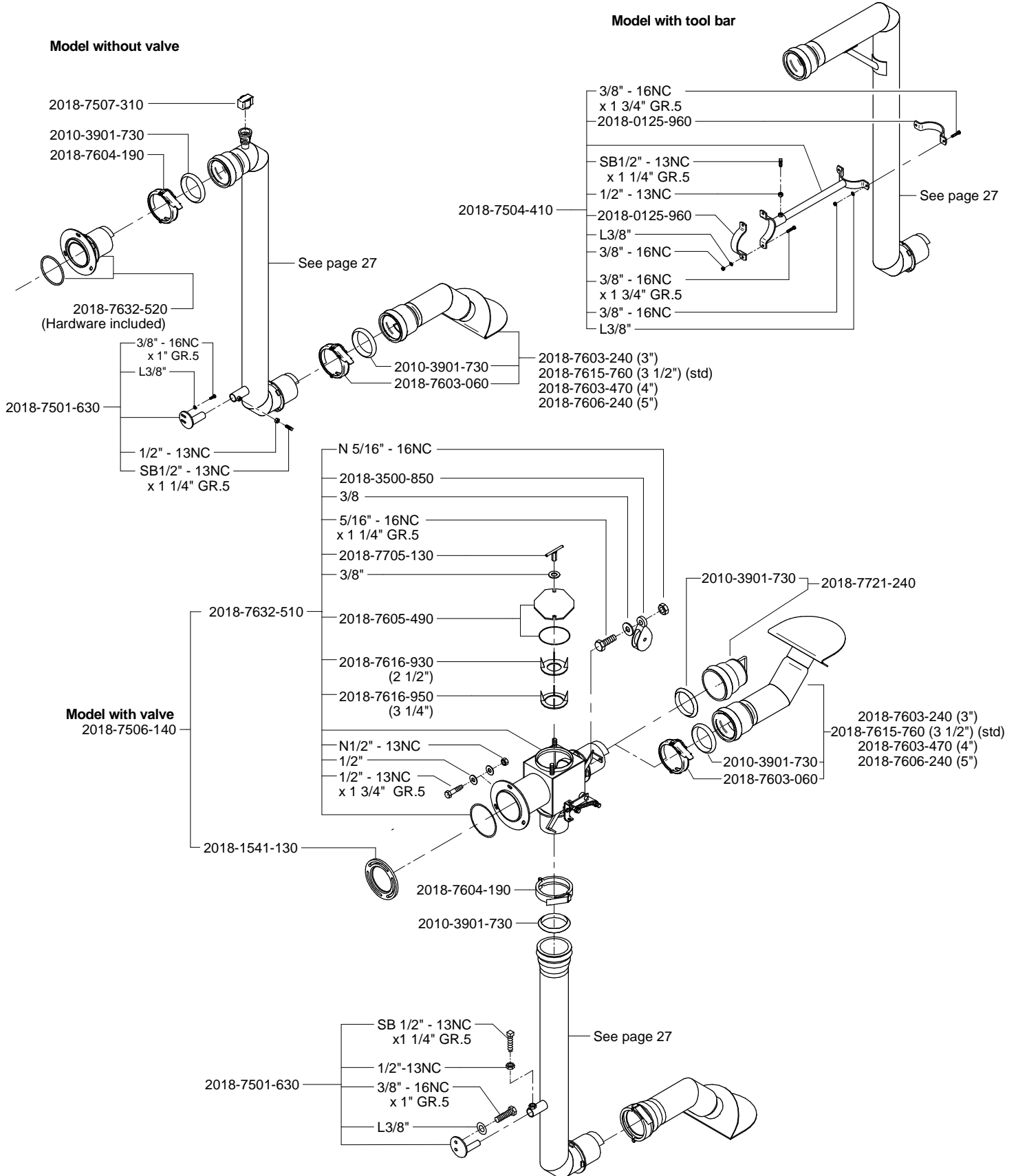


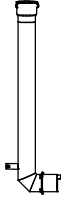
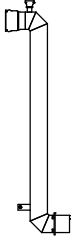
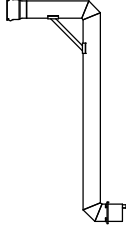
Elbow discharge pipe models			
Spreader model	Length	6" elbow	6" self-loading
EL44-4D-14350	4.9 m	2018-7501-910	2018-7501-940
EL44-4D-16150	5.5 m	2018-7501-910	2018-7501-940
EL44-6D-19750	6.7 m	2018-7501-920	2018-7501-940
EL44-6D-21500	7.3 m	2018-7501-920	2018-7501-940
EL44-6D-23300	7.9 m	2018-7501-920	2018-7501-940
EL44-6D-25100	8.5 m	2018-7501-910	2018-7501-940

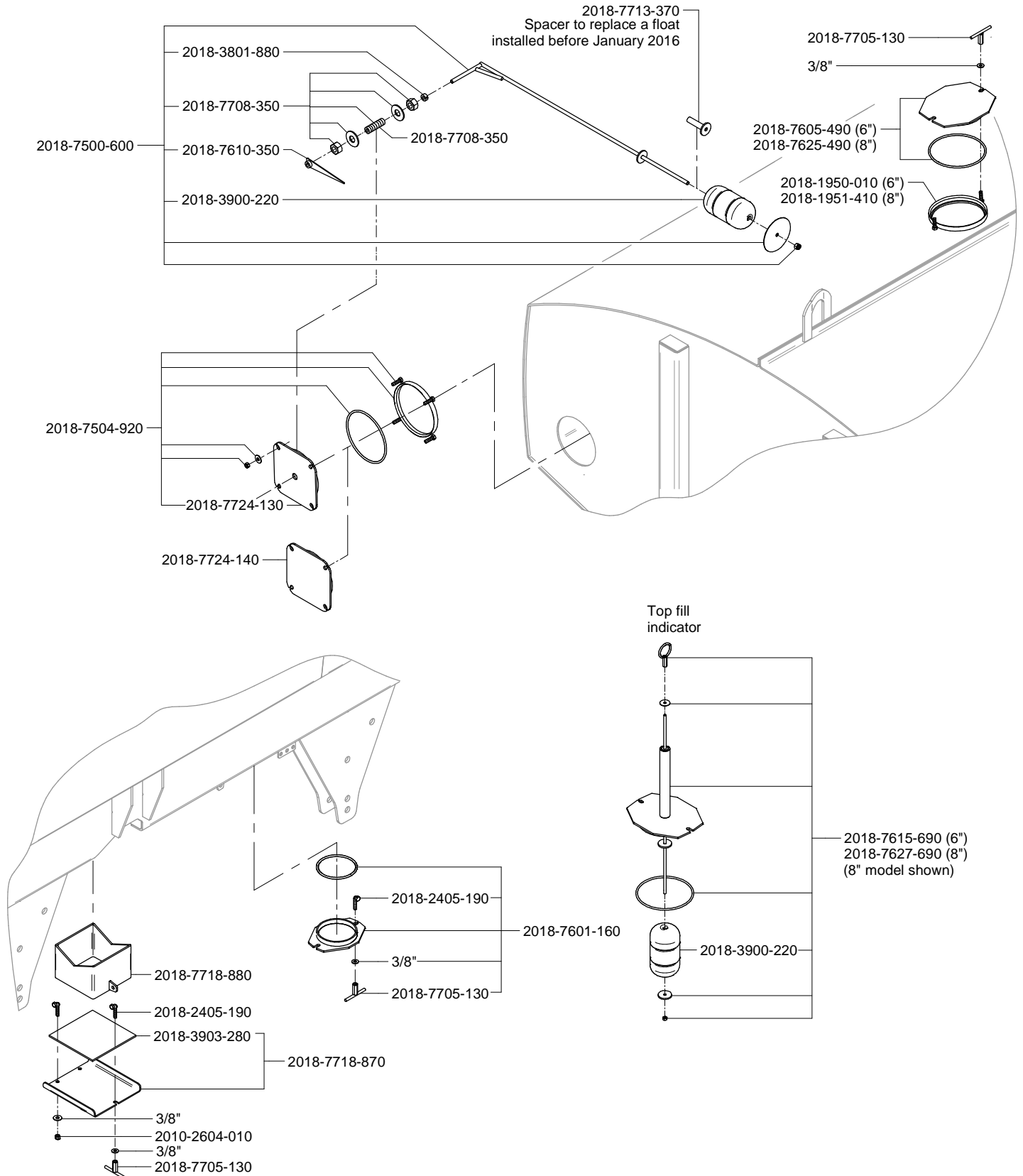
Discharge pipe models		
Spreader model	Length	6" pipe
EL44-4D-14350	4.9 m	2018-7713-690
EL44-4D-16150	5.5 m	2018-7713-700
EL44-6D-19750	6.7 m	2018-7713-720
EL44-6D-21500	7.3 m	2018-7713-730
EL44-6D-23300	7.9 m	2018-7713-740
EL44-6D-25100	8.5 m	2018-7713-750



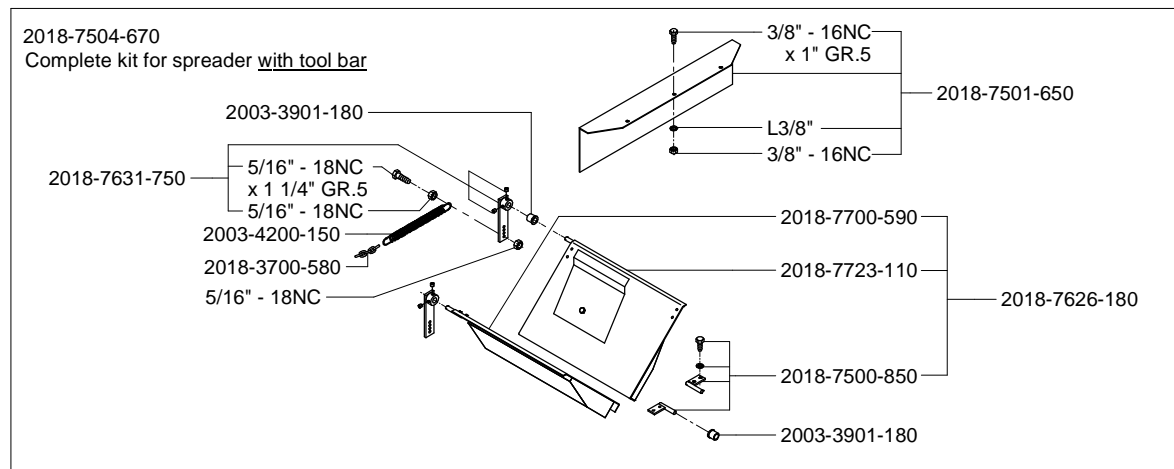
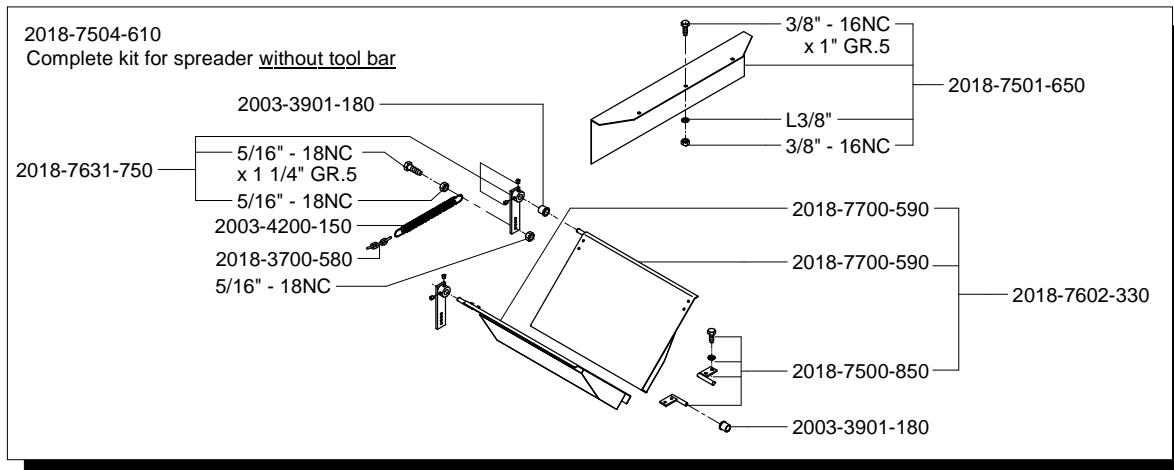
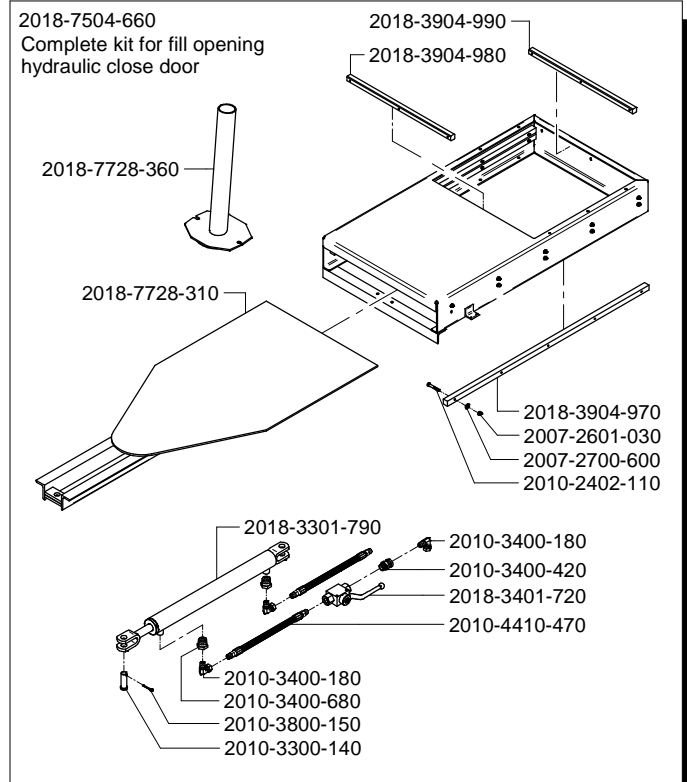
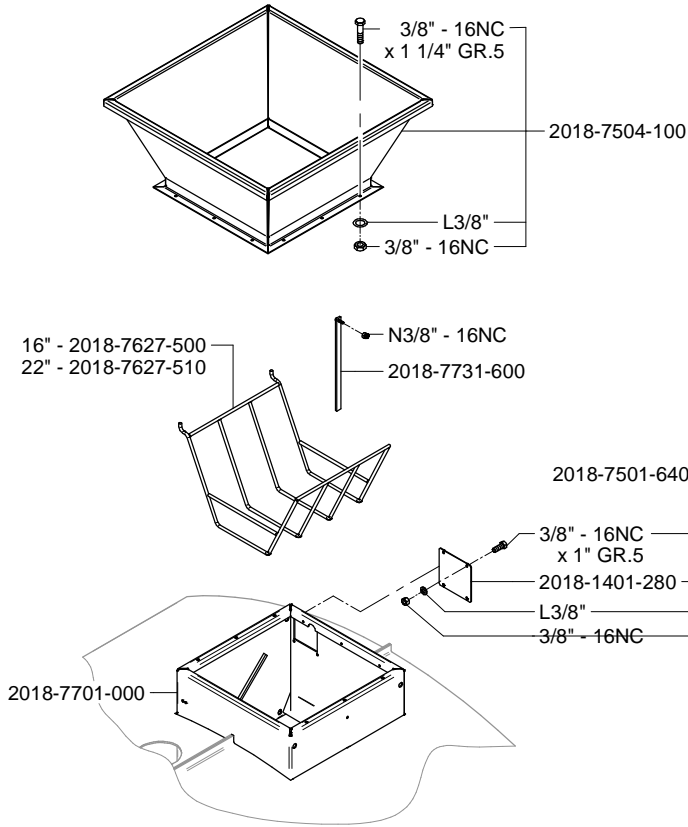


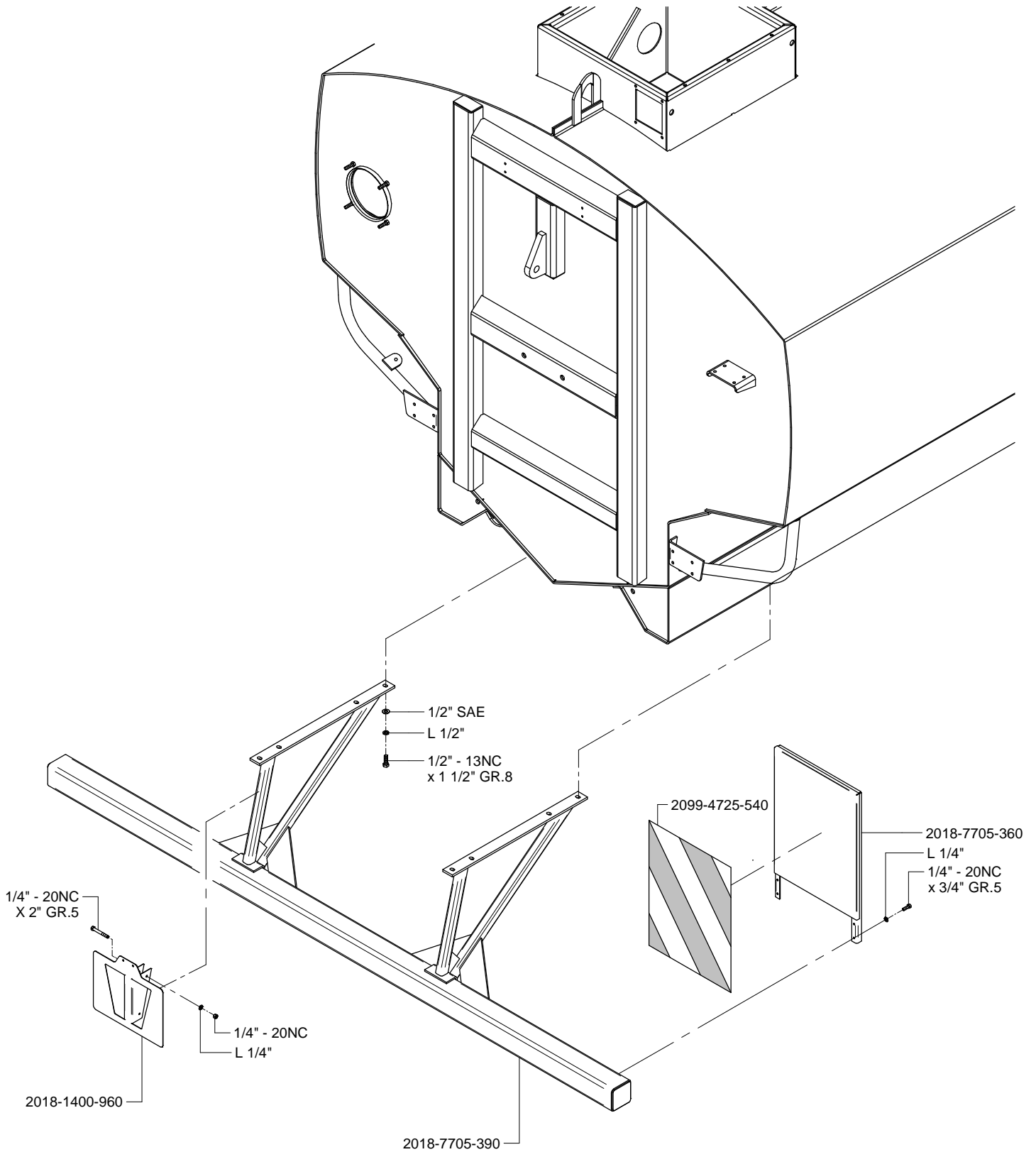


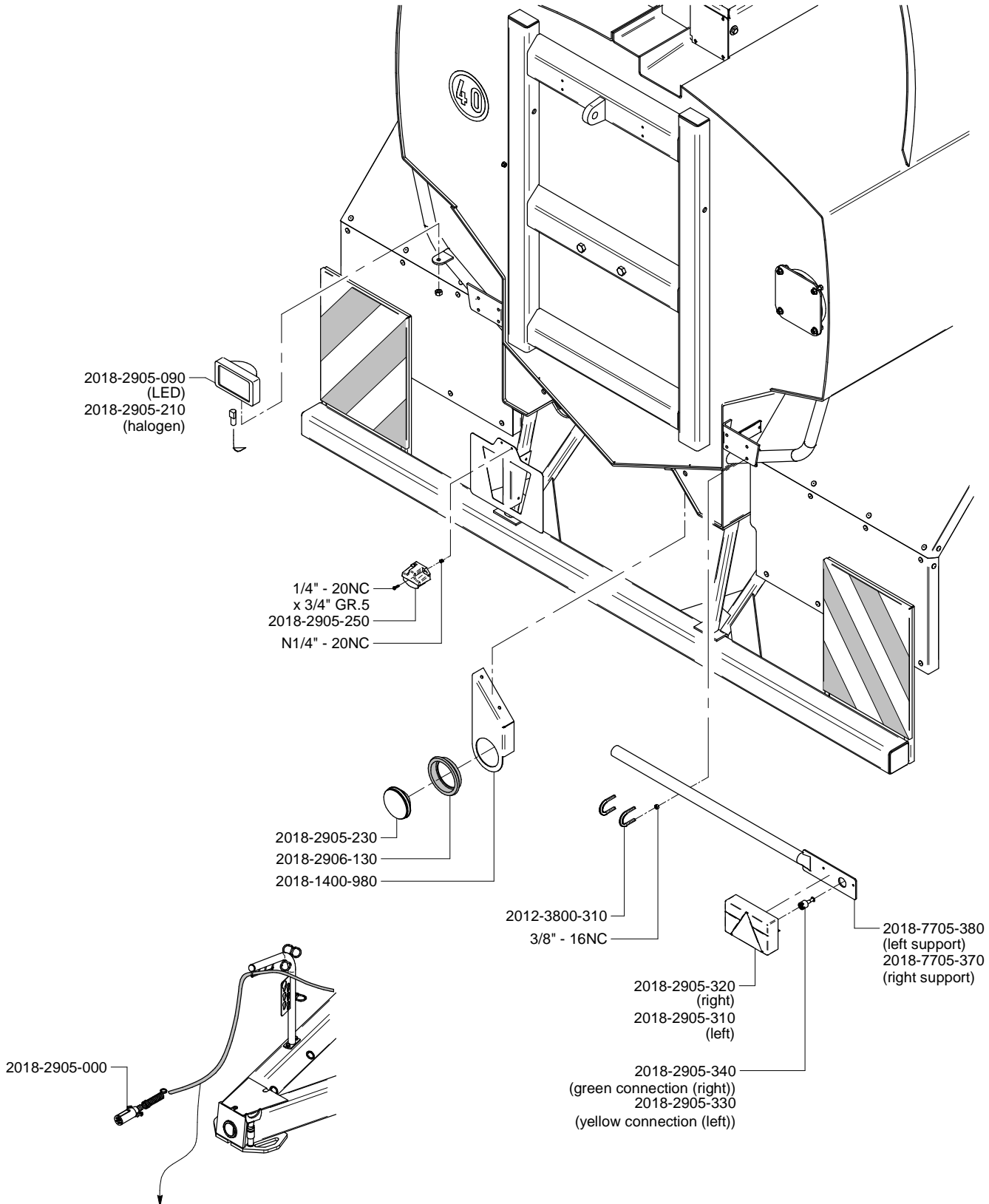
NOZZLE FOR SPREADER SOLD OUTSIDE NORTH AMERICA					
Spreader model	Gallon (UK)	Liter	With valve	Without valve	With tool bar
					
EL44-4D-14350	3155	14350	2018-7601-370	2018-7601-360	2018-7601-350
EL44-4D-16150	3550	16150			
EL44-6D-19750	4345	19750			
EL44-6D-21500	4730	21500			
EL44-6D-23300	5125	23300			
EL44-6D-25100	5520	25100			



FILL OPENING







2018-2905-090
(LED)
2018-2905-210
(halogen)

1/4" - 20NC
x 3/4" GR.5
2018-2905-250
N1/4" - 20NC

2018-2905-230
2018-2906-130
2018-1400-980

2012-3800-310
3/8" - 16NC

2018-7705-380
(left support)
2018-7705-370
(right support)

2018-2905-320
(right)
2018-2905-310
(left)

2018-2905-340
(green connection (right))
2018-2905-330
(yellow connection (left))

2018-2905-000

Signal light cable (plug not included)	
Spreader length	Part number
4,87 m	2018-2906-170
5,48 m	2018-2906-180
6,70 m - 7,31 m	2018-2906-190
7,92 m - 8,53 m	2018-2906-200

