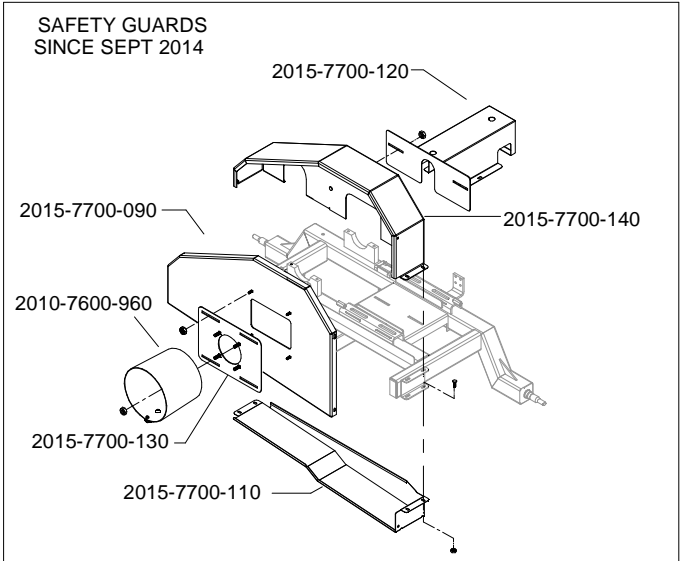
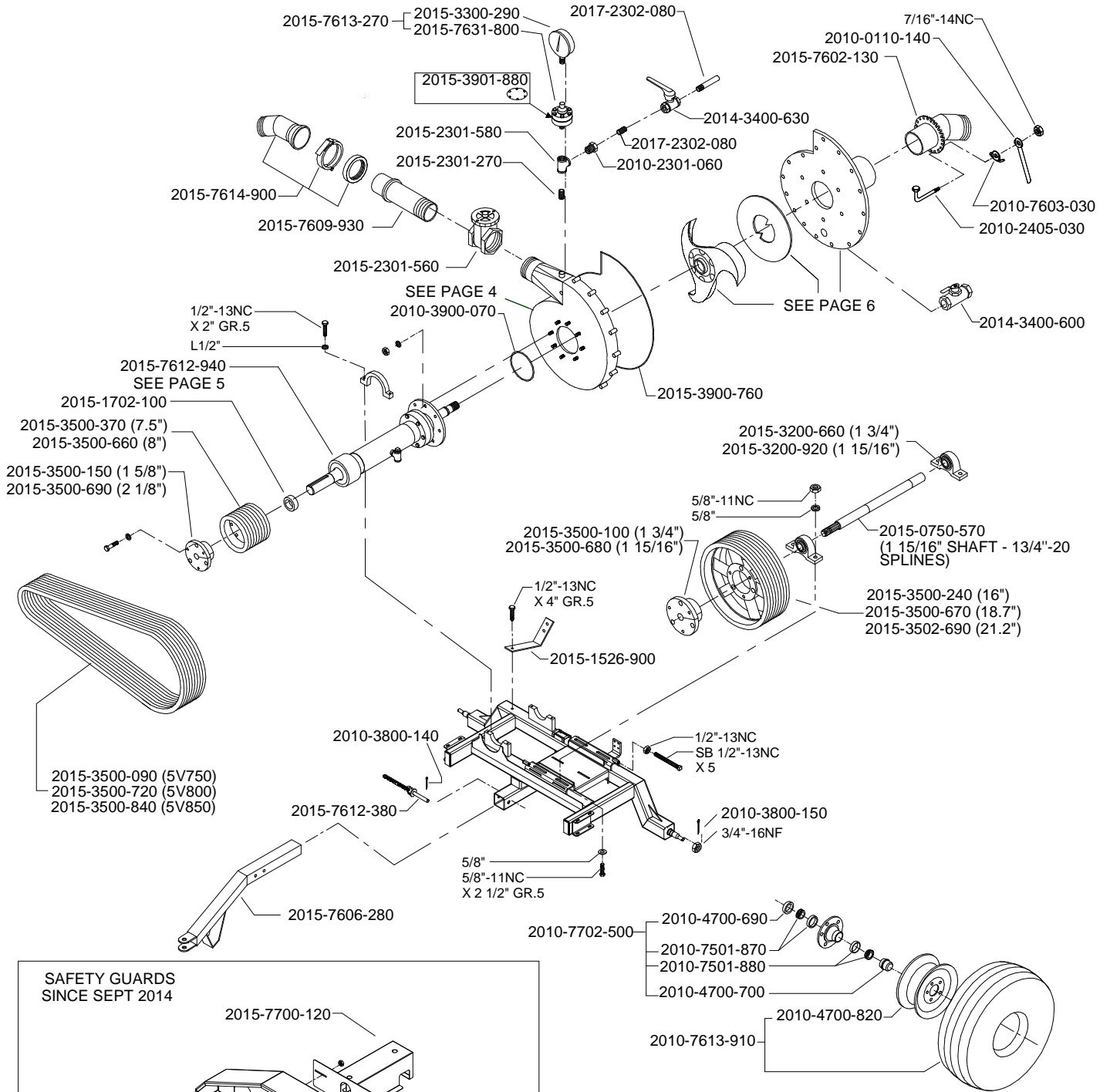
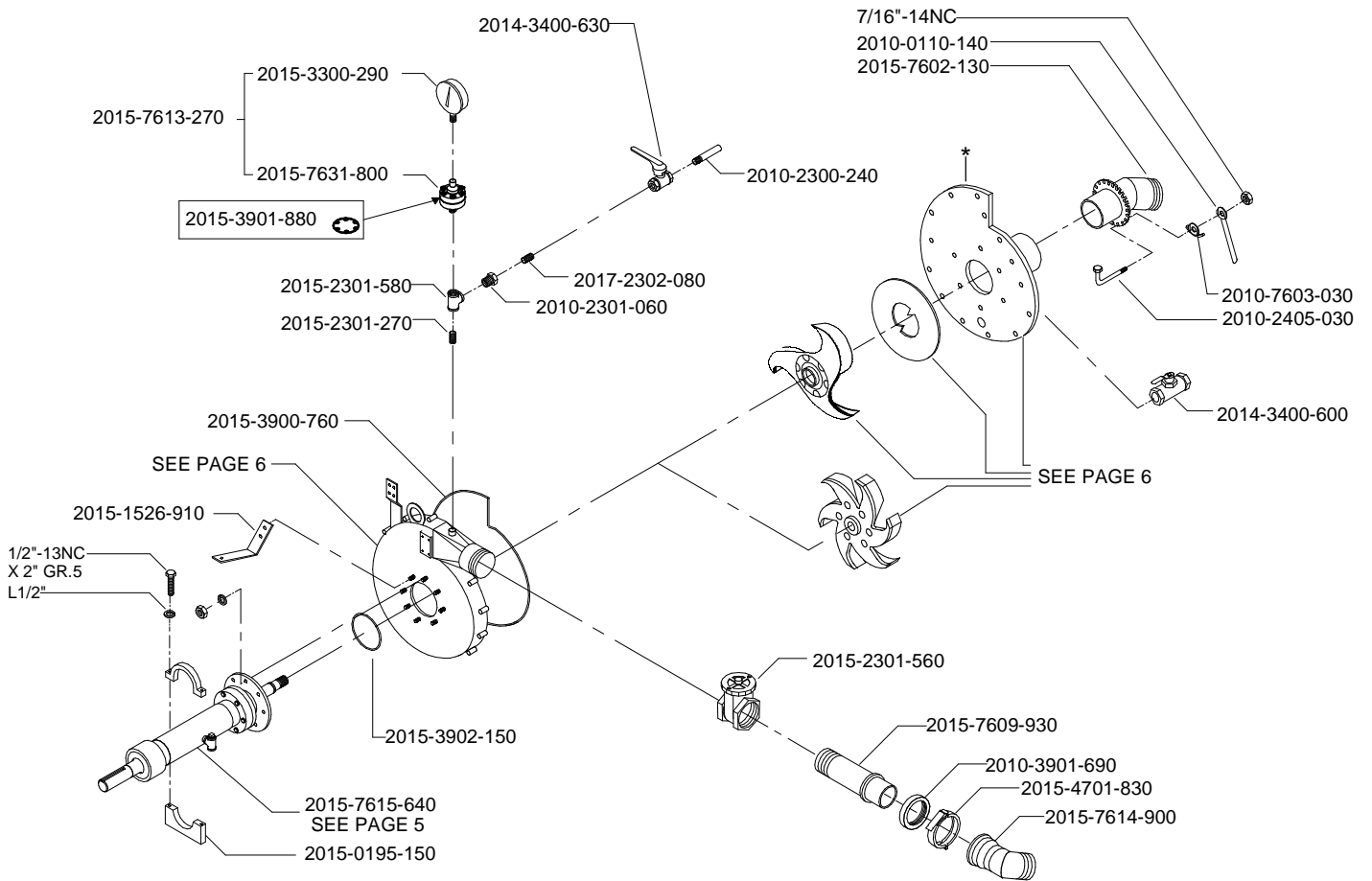




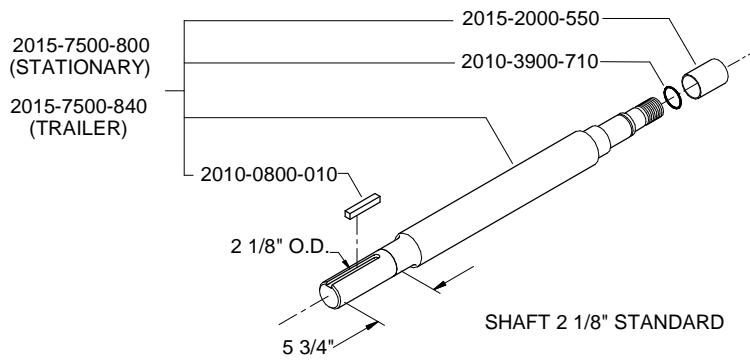
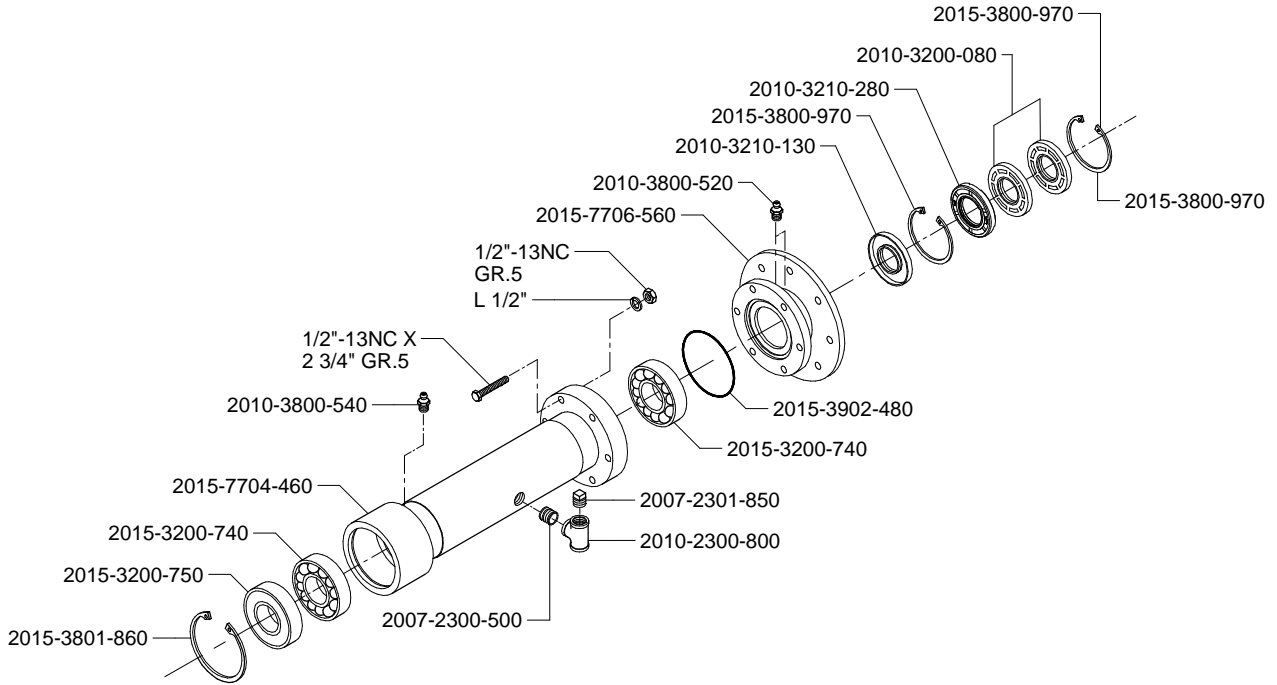
TABLE OF CONTENTS..... 01
HARDWARE IDENTIFICATION..... 02
TRAILER PUMP..... 03
STATIONARY ENGINE..... 04
BEARING HOUSING..... 05
HOUSING AND IMPELLER..... 06
PRIMER PUMP..... 07
SAFETY GUARDS - BEFORE SEPTEMBER 2014..... 08

Hardware Identification	
Type	Designation
Hexagonal bolt	-
Carriage bolt	CB
Square head bolt	SB
Socket head cap screw	SCS
Socket head set screw	SSS
Flat head cap screw	FCS
Hexagon nut	-
Hexagon nylon lock nut	N
Hexagon oval lock nut	OVL
Hexagon tri-lock nut	TRI
Castle nut	CSL
Flange nut	FLN
Wing nut	WNG
Flat washer	-
Lock washer	L
SAE washer	SAE
Large ext. dia. washer	LD
Small ext. dia. washer	SD
Stainless steel bolts parts	SS

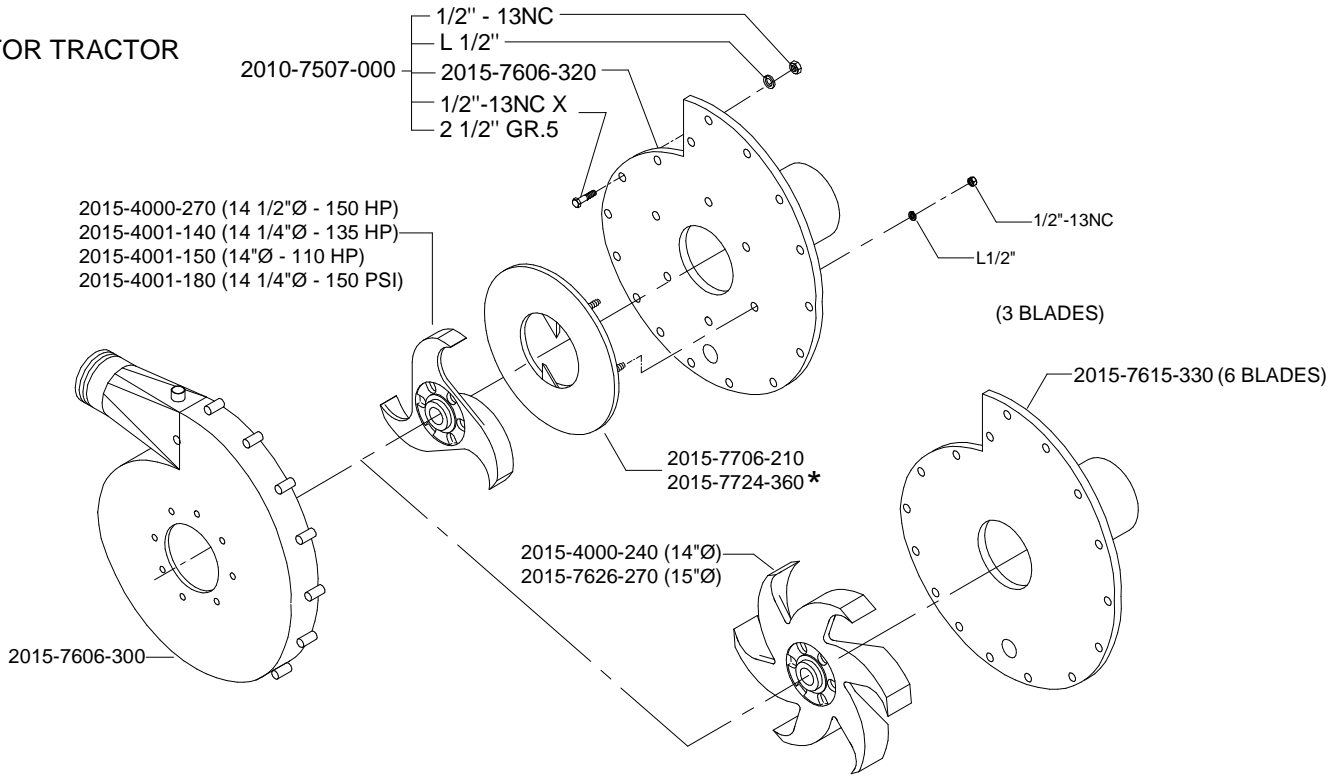




2015-7615-640 COMPLETE BEARING HOUSING - STATIONARY
2015-7612-940 COMPLETE BEARING HOUSING - TRAILER

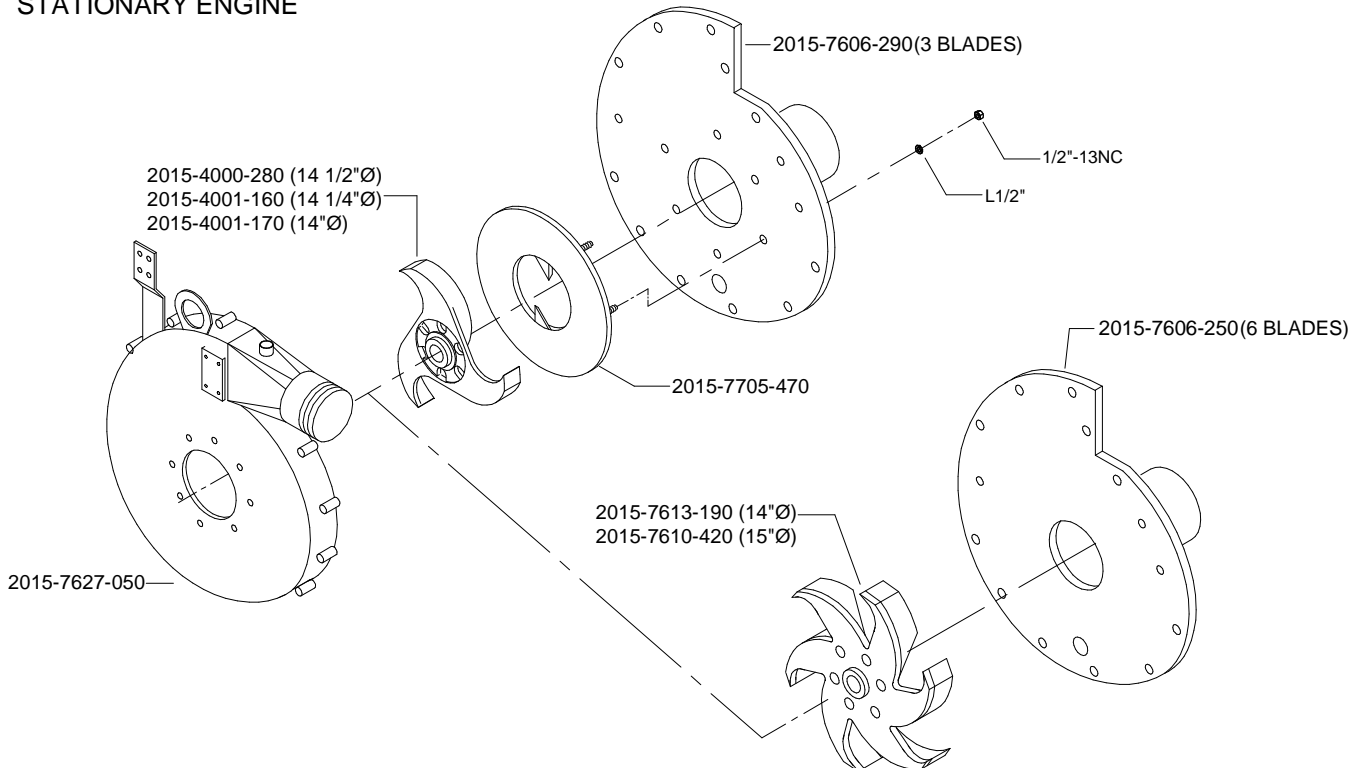


FOR TRACTOR



* SPACER FOR IMPELLER #2015-4001-180 ONLY

STATIONARY ENGINE



COMPLETE HYDRAULIC PRIMING PUMP

2014-8014-200

