

TABLE OF CONTENTS

Table of contents.....	01 - 02
Single hitch.....	03
Double hitch.....	04
Double hitch and power steering guide.....	05
Ball hitch.....	06
Ball hitch (euro model).....	07
PowerHitch 3.....	08
PowerHitch 4.....	09
PowerHitch 5.....	10
Draw bar.....	11
Power steering mechanism.....	12
Power steering cable.....	13
Directional cylinder.....	14
Clevis and rod for power steering cable (disc brake) - since August 2006.....	15
Clevis and rod for power steering cable (disc brake) - before August 2006.....	16
Clevis and rod for power steering cable (air brake).....	17
Hydraulic system - power steering system - 4D.....	18
Hydraulic system - power steering system - 6D.....	19
Hydraulic system - power steering system - 8D.....	20
Standard axle.....	21
Axle with truss.....	22
Suspension system.....	23
Steering knuckle, brake, axle and hub - since September 2014.....	24
Steering knuckle, brake, axle and hub - from June 2006 to September 2014.....	25
Steering knuckle, brake, axle and hub - from June 1995 to June 2006.....	26
Steering knuckle, brake, axle and hub - from 1993 to June 1995.....	27
Disc brake hub.....	28
Disc brake system - master cylinder.....	29
Disc brake system - 4D.....	30
Disc brake system - 6D.....	31
Disc brake system - 8D.....	32
Disc brake system - brake calipers.....	33
Air brake - drum, hub and axle shaft.....	34
Air brake - protective plate and air tank.....	35
Air brake - pneumatic diagram - 4D.....	36
Air brake - pneumatic diagram - 6D.....	37 - 38
Air brake - pneumatic diagram - 8D.....	39 - 40

Rim, wheel and wheel nut wrench..... 41 - 42

Impeller, housing, intake and front drain standard..... 43

Bearing housing, impeller and housing cover plate standard.....44

Impeller housing, intake and front drain HE..... 45

Bearing housing, impeller and housing cover plate HE.....46

Bearing housing, plug and housing cover plate (old model).....47

Self-loading system.....48 - 49

Articulated suction pipe self-loading.....50

Nursing kit system.....51

Discharge pipe 6".....52 - 53

In-tank recirculation kit for 6" discharge pipe..... 54

Rotative valve for actuator and cross-shaped adapter with flow restrictor for 6" discharge pipe.....55

Spreading nozzle and directional valve for 6" discharge pipe..... 56

Spreading nozzle pipe chart for 6" discharge pipe..... 57

Discharge pipe 8".....58 - 59

In-tank recirculation kit for 8" discharge pipe.....60

Rotative valve for actuator for 8" discharge pipe.....61

Spreading nozzle and directional valve for 8" discharge pipe..... 62

Spreading nozzle pipe chart for 8" discharge pipe..... 63

Rear drain and fill indicator.....64

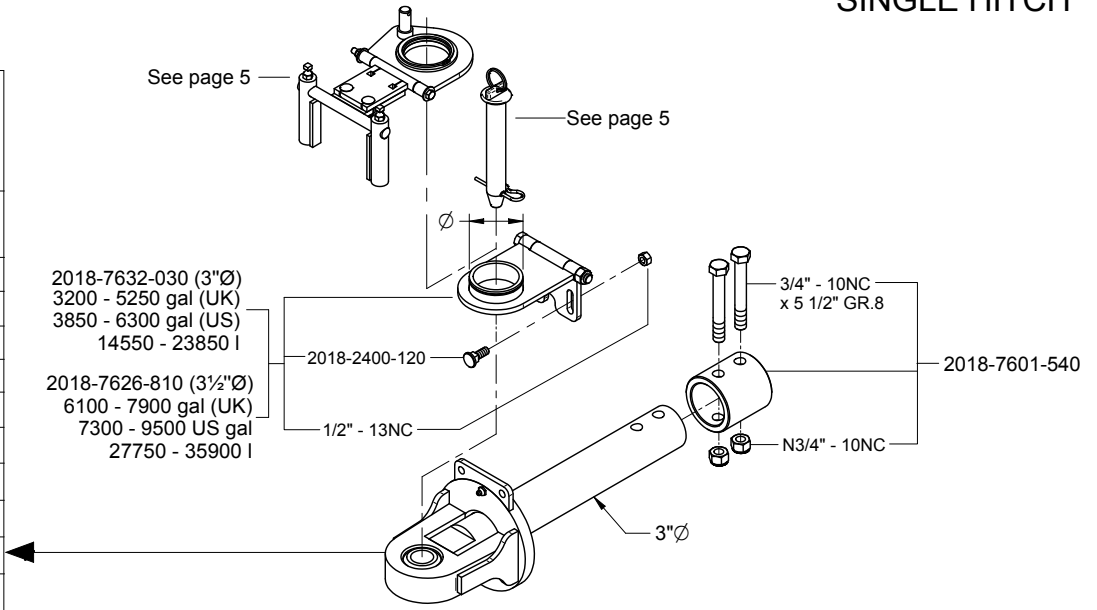
Fill opening.....65

Signal lights.....66

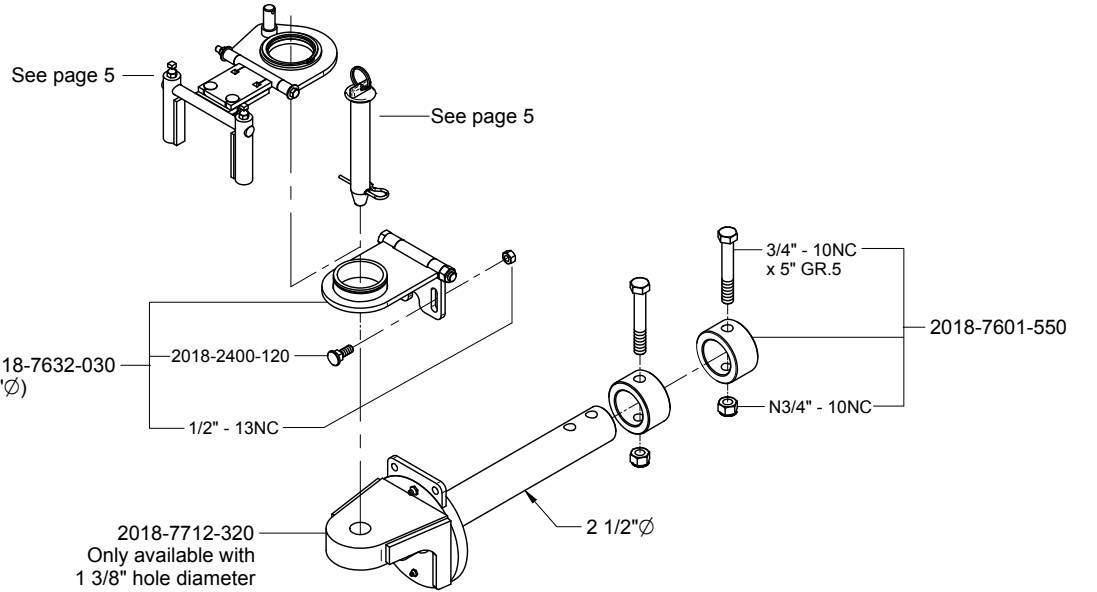
Tank repair plate and support guard..... 67

Hardware Identification	
Type	Designation
Hexagonal bolt	-
Carriage bolt	CB
Square head bolt	SB
Socket head cap screw	SCS
Socket head set screw	SSS
Flat head cap screw	FCS
Hexagon nut	-
Hexagon nylon lock nut	N
Hexagon oval lock nut	OVL
Hexagon tri-lock nut	TRI
Castle nut	CSL
Flange nut	FLN
Wing nut	WNG
Flat washer	-
Lock washer	L
SAE washer	SAE
Large ext. dia. washer	LD
Small ext. dia. washer	SD
Stainless steel bolts parts	SS

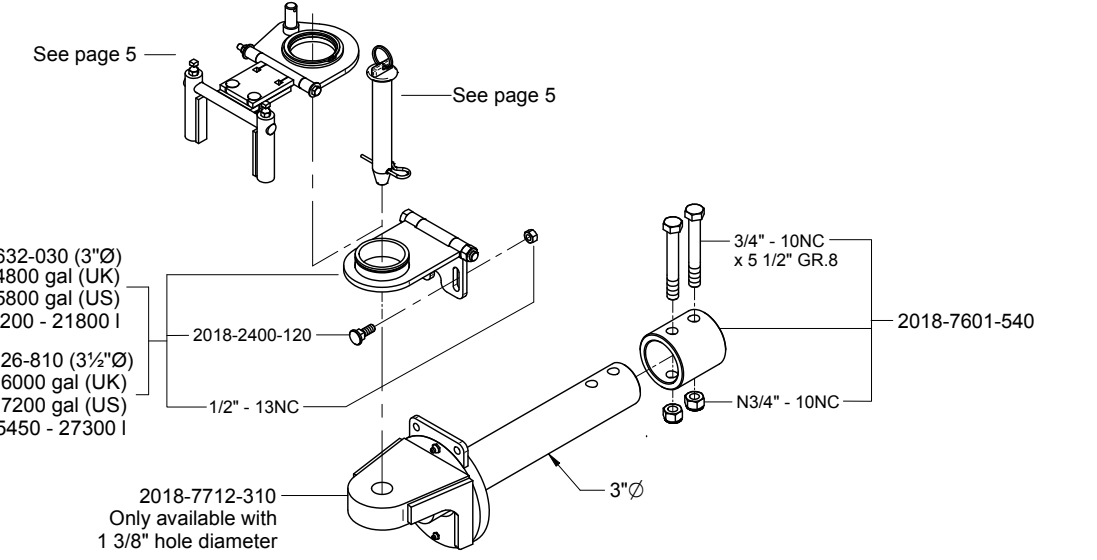
EL48 3200 - 7900 gal (UK) 3850 - 9500 gal (US) 14550 - 35900 l (according to hole diameter)	
Top View	Part #
1 1/4"	2018-7704-390
1 5/16"	2018-7704-400
1 3/8"	2018-7704-410
1 1/2"	2018-7704-420
1 5/8"	2018-7704-430
1 3/4"	2018-7704-440
1 7/8"	2018-7704-450
2"	2018-7704-460
2 1/8"	2018-7704-470
2 1/4"	2018-7704-480




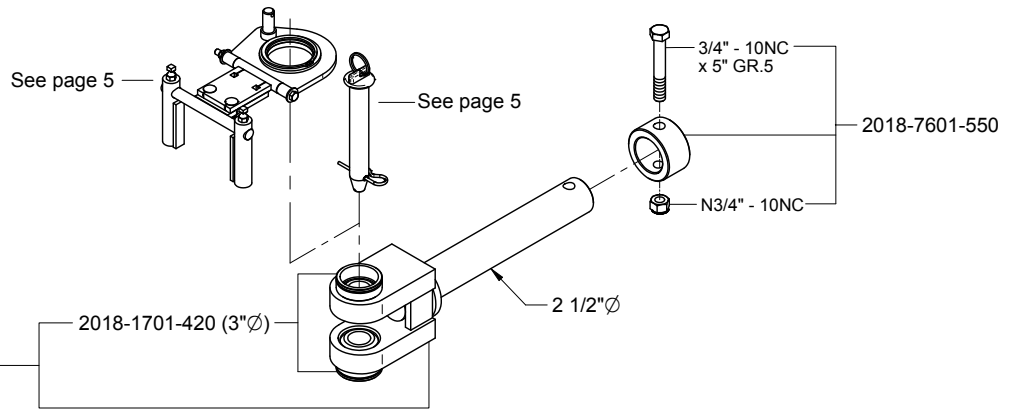
EL48 Offset hitch 2850 - 3550 gal (UK) 3400 - 4250 gal (US) 12850 - 16100 l	
--	--


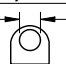


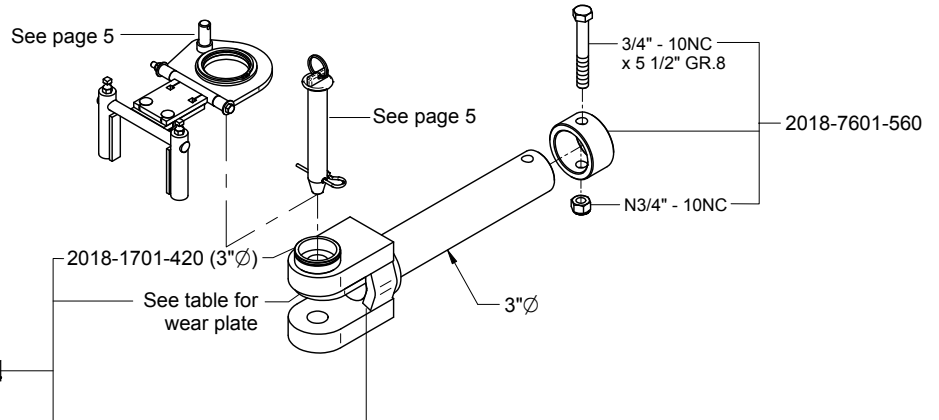
EL48 Offset hitch 4000 - 6000 gal (UK) 4800 - 7200 gal (US) 18200 - 27300 l	
--	--


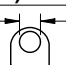


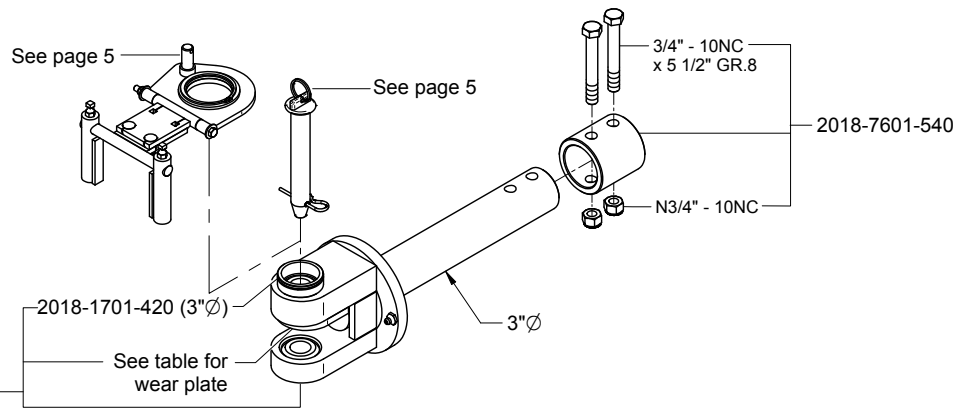
EL48 3200 - 3600 gal (UK) 3850 - 4300 gal (US) 14550 - 16350 l (according to hole diameter)	
Top View 	Part #
1 1/8"	2018-7704-090
1 1/4"	2018-7704-000
1 5/16"	2018-7704-010
1 3/8"	2018-7704-100
1 1/2"	2018-7704-020
1 5/8"	2018-7704-030
1 3/4"	2018-7704-040
1 7/8"	2018-7704-050
2"	2018-7704-060
2 1/8"	2018-7704-070
2 1/4"	2018-7704-080



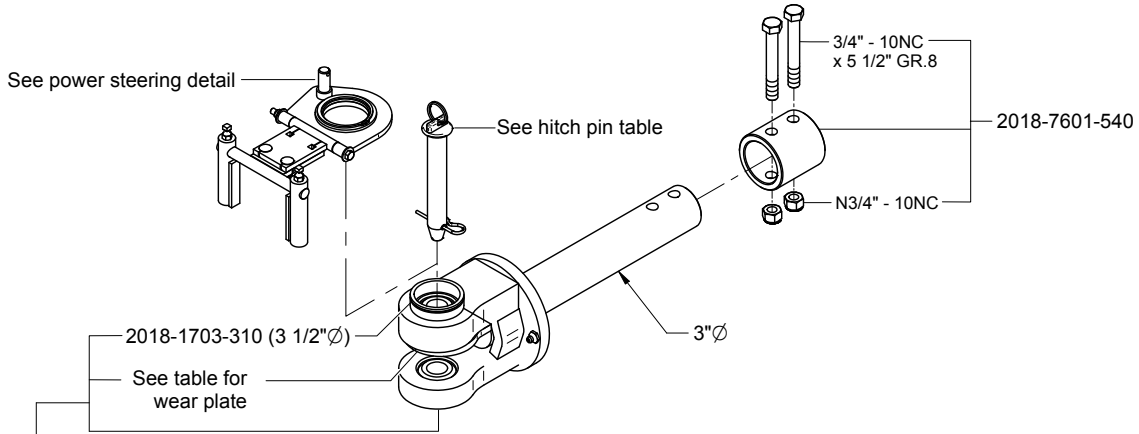
EL48 4000 - 4800 gal (UK) 4800 - 5800 gal (US) 18200 - 21800 l (according to hole diameter)		
Top View 	Part #	Wear Plate 
1 1/4"	2018-7704-110	2018-1541-050 (1 1/2" ϕ)
1 5/16"	2018-7704-120	
1 3/8"	2018-7704-200	
1 1/2"	2018-7704-130	2018-1542-890 (1 3/4" ϕ)
1 5/8"	2018-7704-140	
1 3/4"	2018-7704-150	
1 7/8"	2018-7704-160	2018-1542-800 (2 3/16" ϕ)
2"	2018-7704-170	
2 1/8"	2018-7704-180	
2 1/4"	2018-7704-190	


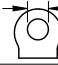


EL48 5250 gal (UK) 6300 gal (US) 23850 l (according to hole diameter)		
Top View 	Part #	Wear Plate 
1 1/4"	2018-7704-210	2018-1541-050 (1 1/2" ϕ)
1 5/16"	2018-7704-220	
1 3/8"	2018-7704-230	
1 1/2"	2018-7701-390	2018-1542-890 (1 3/4" ϕ)
1 5/8"	2018-7704-240	
1 3/4"	2018-7704-250	
1 7/8"	2018-7704-260	2018-1542-800 (2 3/16" ϕ)
2"	2018-7704-270	
2 1/8"	2018-7704-280	
2 1/4"	2018-7704-290	

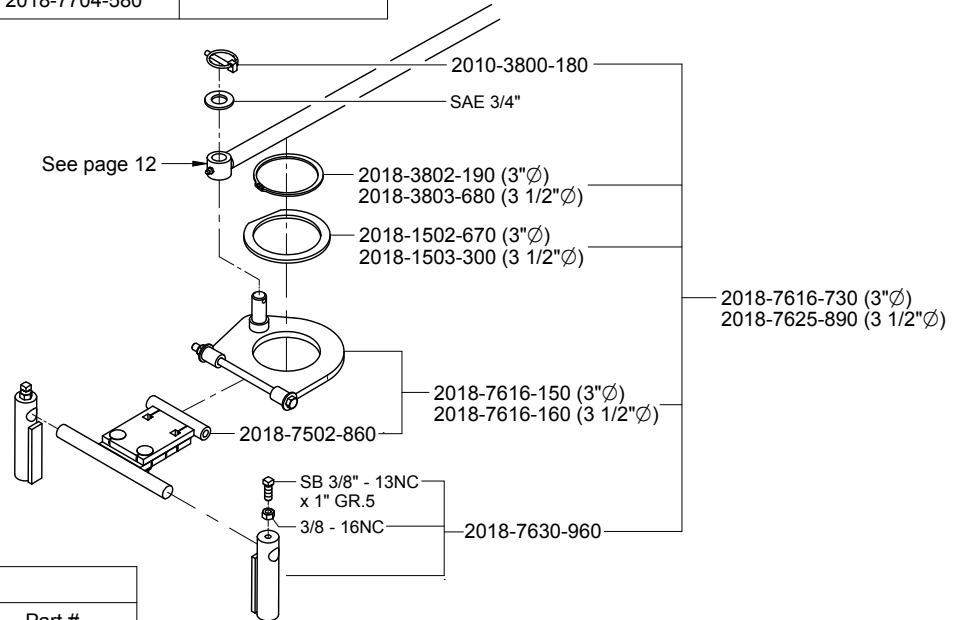
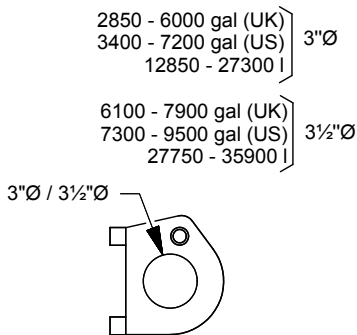



DOUBLE HITCH AND POWER STEERING GUIDE



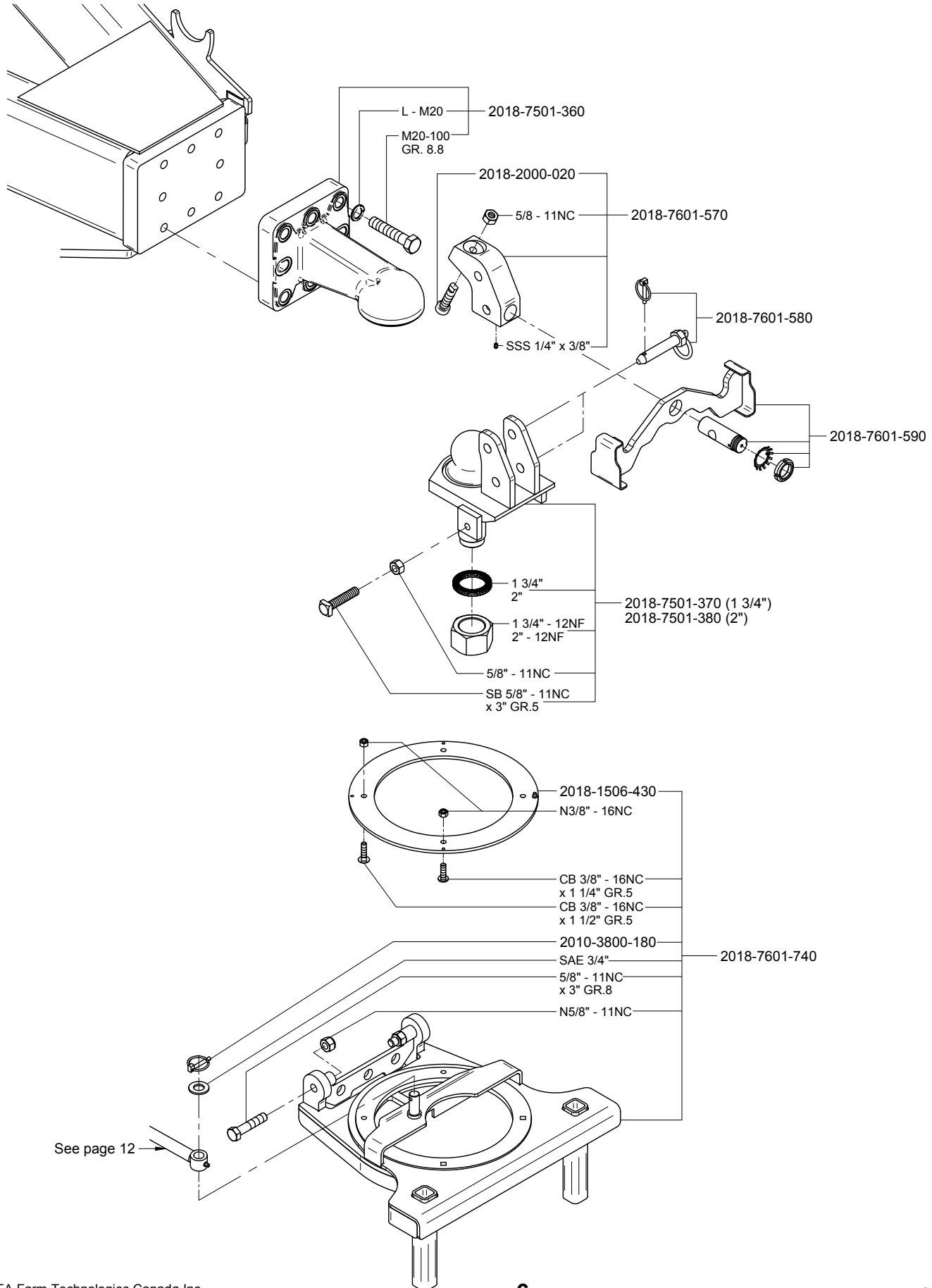
EL48 6100 - 7900 gal (UK) 7300 - 9500 gal (US) 27750 - 35900 l (according to hole diameter)			
 Top View	Part # (2 1/2" opening)	Part # (3" opening)	Wear plate  (1 1/2"Ø)
1 1/4"	2018-7704-300	2018-7704-490	2018-1541-650 (1 1/2"Ø)
1 5/16"	2018-7704-310	2018-7704-500	
1 3/8"	2018-7704-320	2018-7704-510	
1 1/2"	2018-7715-150	2018-7704-520	
1 5/8"	2018-7704-330	2018-7704-530	2018-1542-490 (1 3/4"Ø)
1 3/4"	2018-7704-340	2018-7704-540	
1 7/8"	2018-7704-350	2018-7704-550	2018-1542-500 (2 1/4"Ø)
2"	2018-7704-360	2018-7704-560	
2 1/8"	2018-7704-370	2018-7704-570	
2 1/4"	2018-7704-380	2018-7704-580	

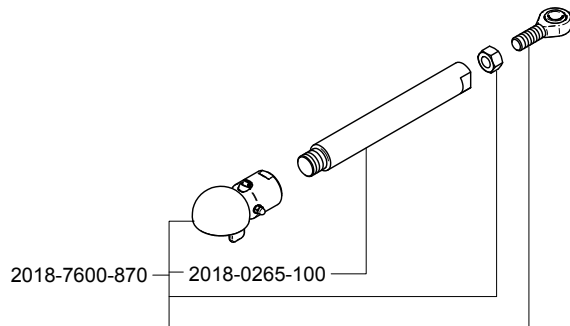
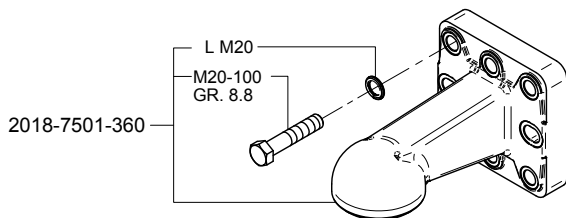
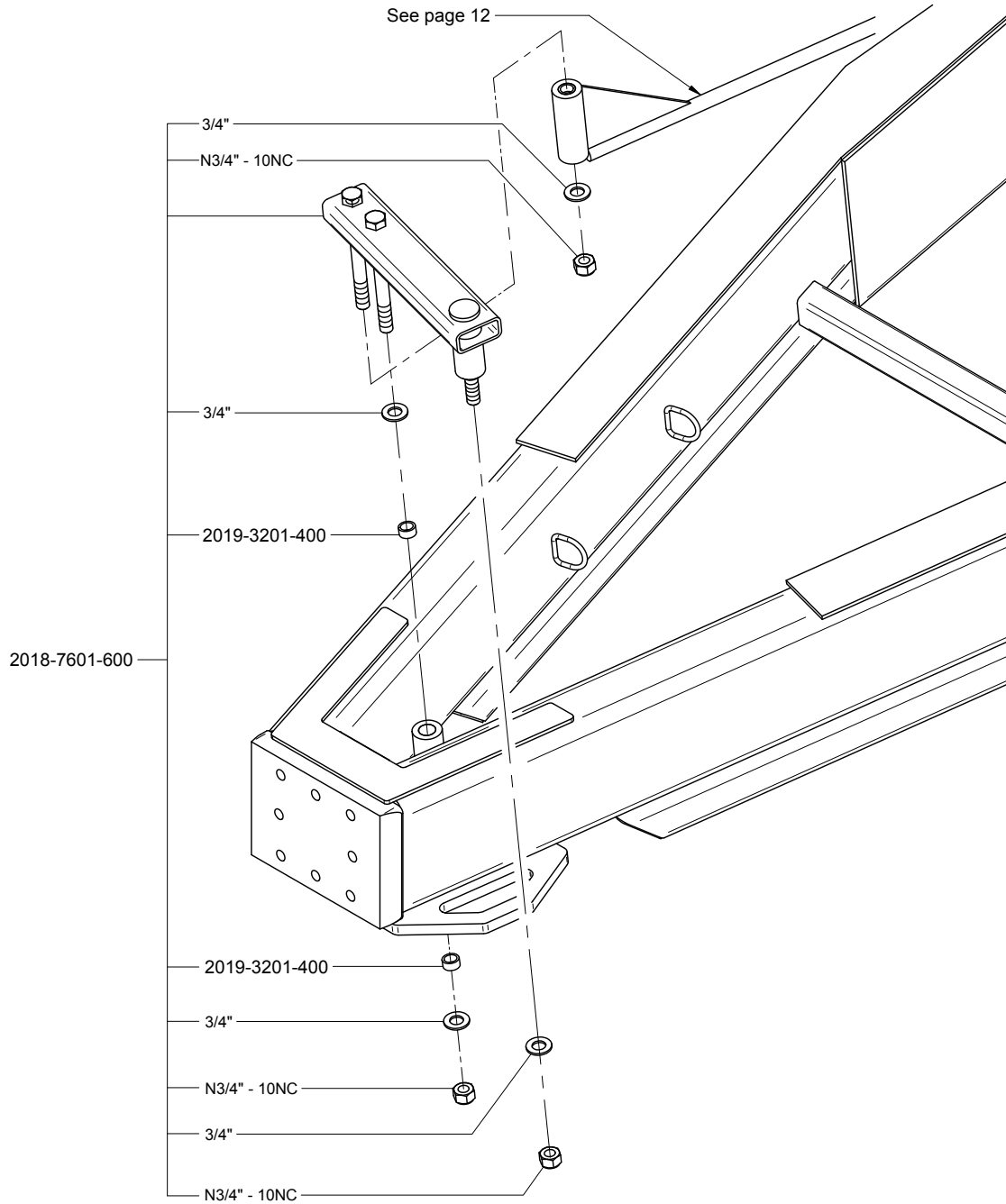
POWER STEERING

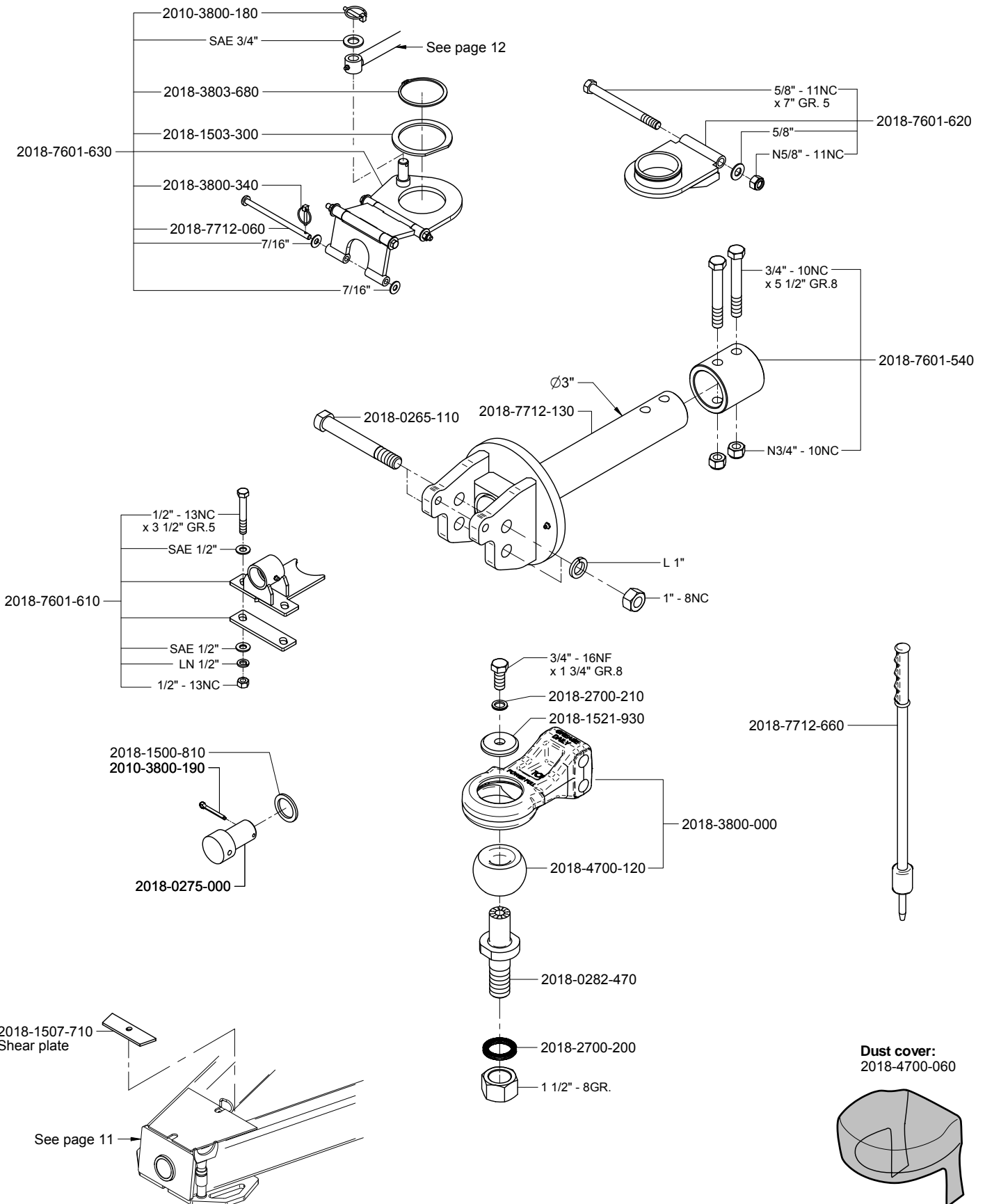


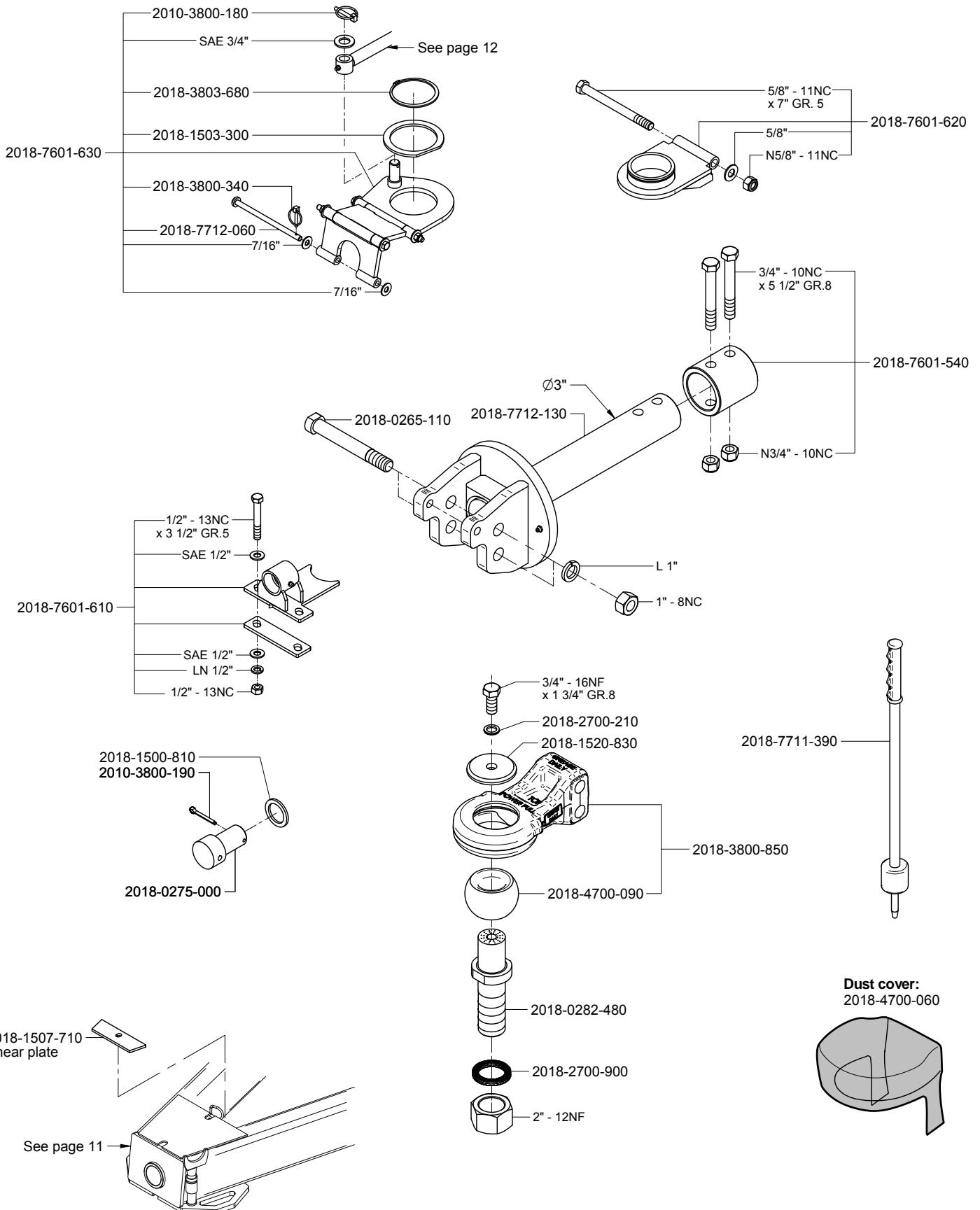
Pin Identification			
	Pin diameter	Hole diameter	Part #
	Ø 1"	Ø 1 1/8"	2018-3802-420
	Ø 1 1/4"	Ø 1 3/8"	2018-3802-430
	Ø 1 3/8"	Ø 1 1/2"	2018-3802-440
	Ø 1 1/2"	Ø 1 5/8"	2018-3802-460

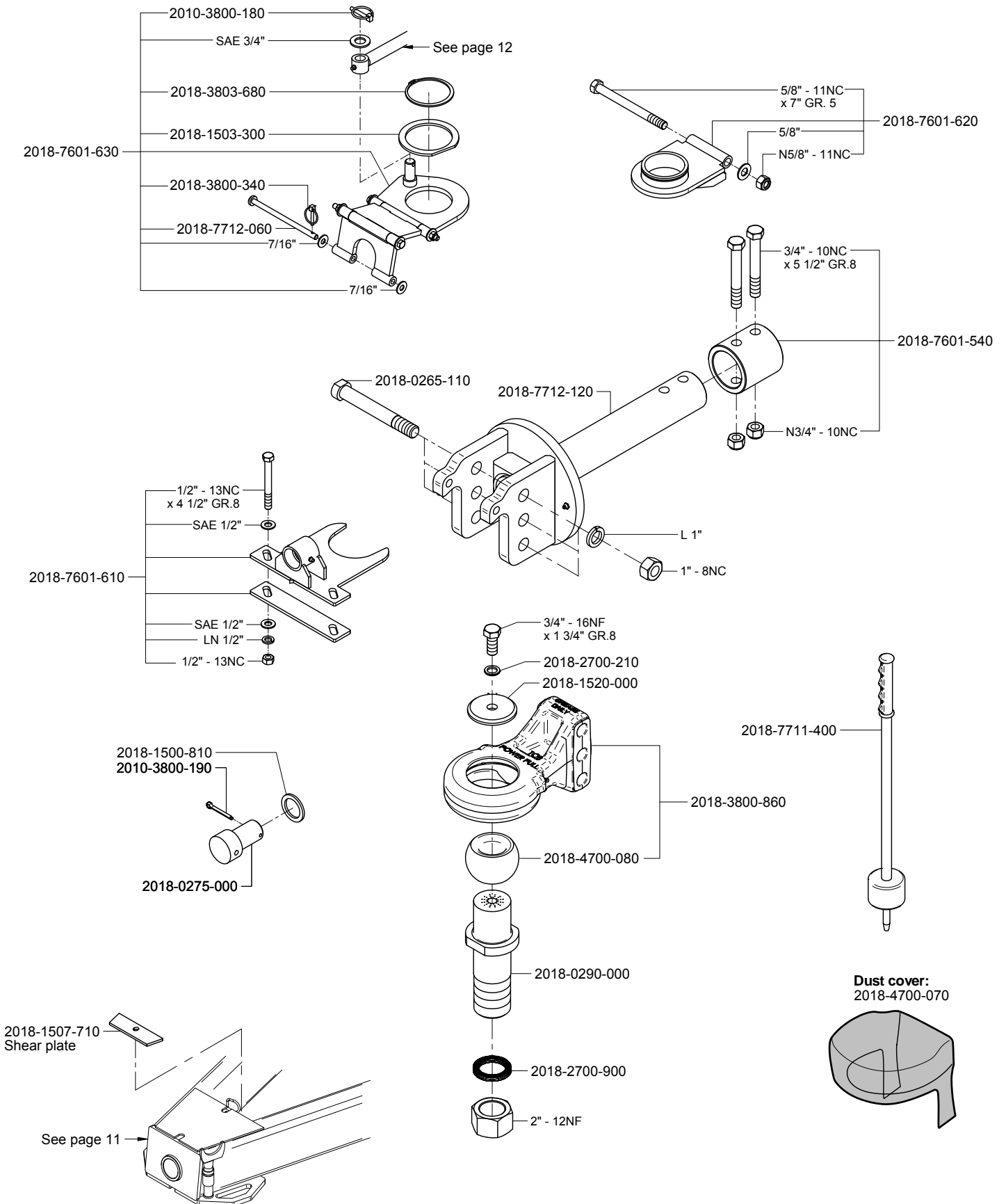
For other hole diameter, the pin must be provided by the customer

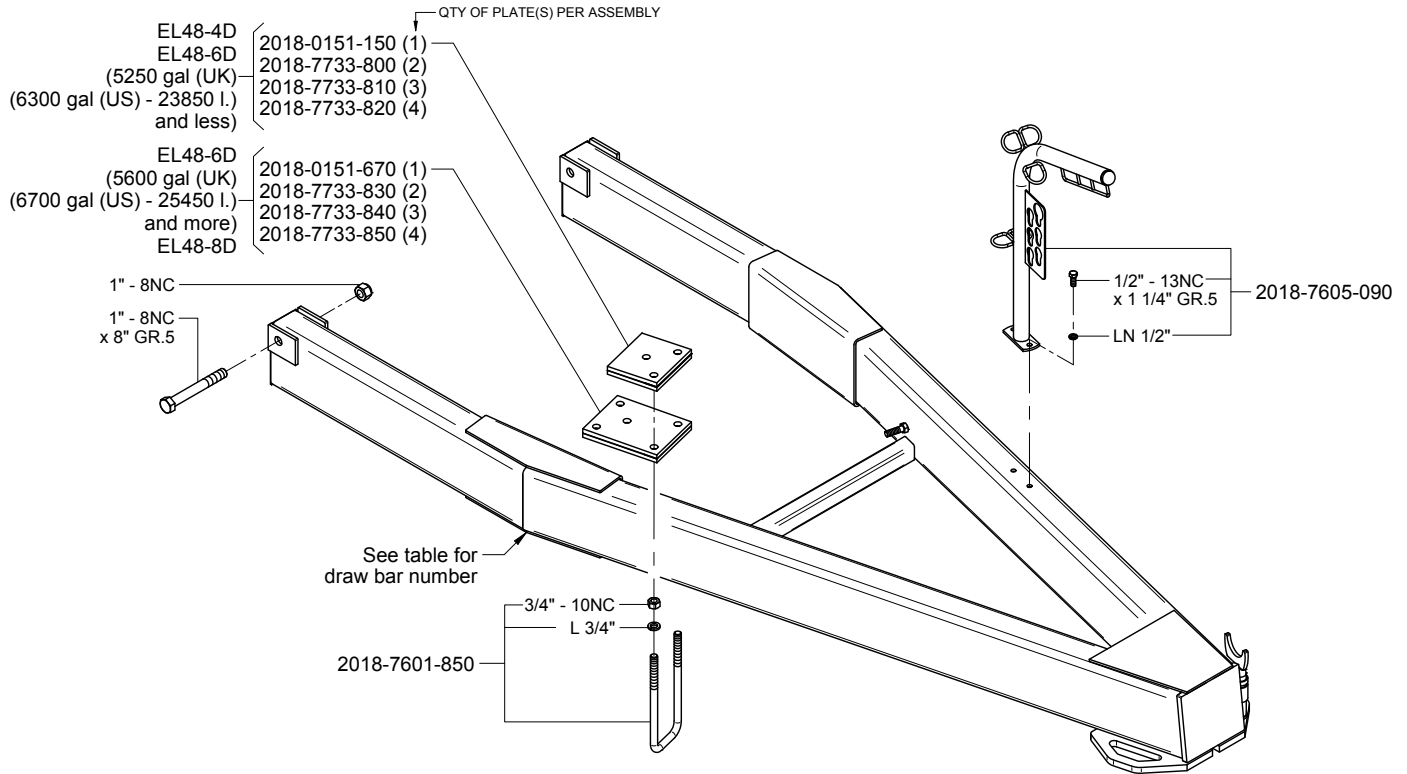












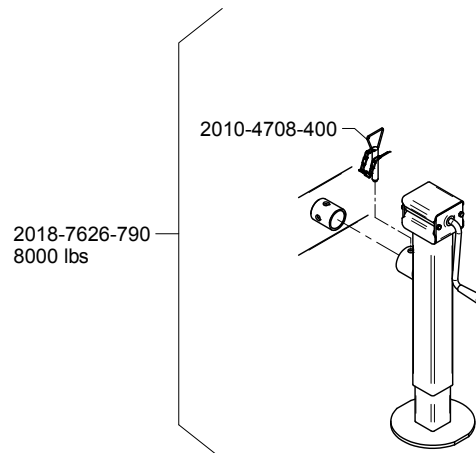
NOTE: All draw bars listed below are standard without options. For draw bar replacement requiring an option, order a standard draw bar and add the desired option(s):
 2018-8048-520; Additional 500 lbs on draw bar.
 2018-8000-500; Trusses under draw bar (500 lbs not included)

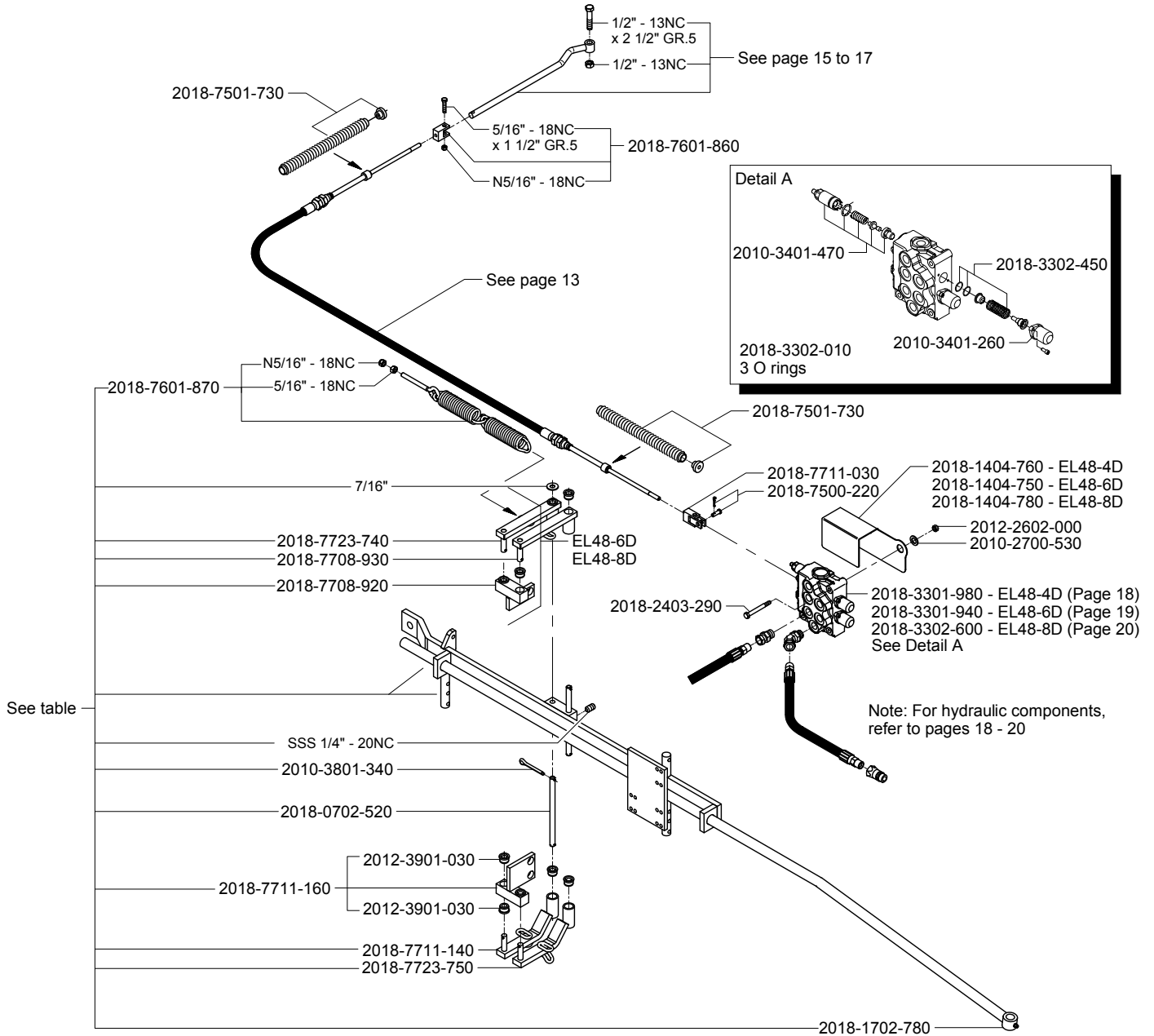
2018-1700-830 (2 1/2") 2018-1702-350 (3")		<p>EL48 Single & double hitch draw bar</p>
2850 - 3600 gal (UK) 3400 - 4300 gal (US) 12850 - 16350 l	2018-7627-520	
4000 - 4800 gal (UK) 4800 - 5800 gal (US) 18200 - 21800 l	2018-7627-530	
5250 - 8800 gal (UK) 6300 - 10500 gal (US) 23850 40000 l	2018-7627-550	

<p>EL 48 Ball hitch draw bar</p>	
2850 - 3200 gal (UK) 3400 - 3850 gal (US) 12850 - 14550 l	2018-7709-450
3550 - 4800 gal (UK) 4250 - 5800 gal (US) 16100 - 21800 l	2018-7709-460
5250 - 8800 gal (UK) 6300 - 10500 gal (US) 23850 40000 l	2018-7709-470

<p>EL 48 European ball hitch draw bar</p>	
2850 - 3200 gal (UK) 3400 - 3850 gal (US) 12850 - 14550 l	2018-7711-330
3550 - 4800 gal (UK) 4250 - 5800 gal (US) 16100 - 21800 l	2018-7711-410
5250 - 8800 gal (UK) 6300 - 10500 gal (US) 23850 40000 l	2018-7711-340

2018-1702-350		<p>EL 48 PowerHitch 3, 4 and 5 draw Bar</p>
5250 - 8800 gal (UK) 6300 - 10500 gal (US) 23850 40000 l	2018-7744-100	



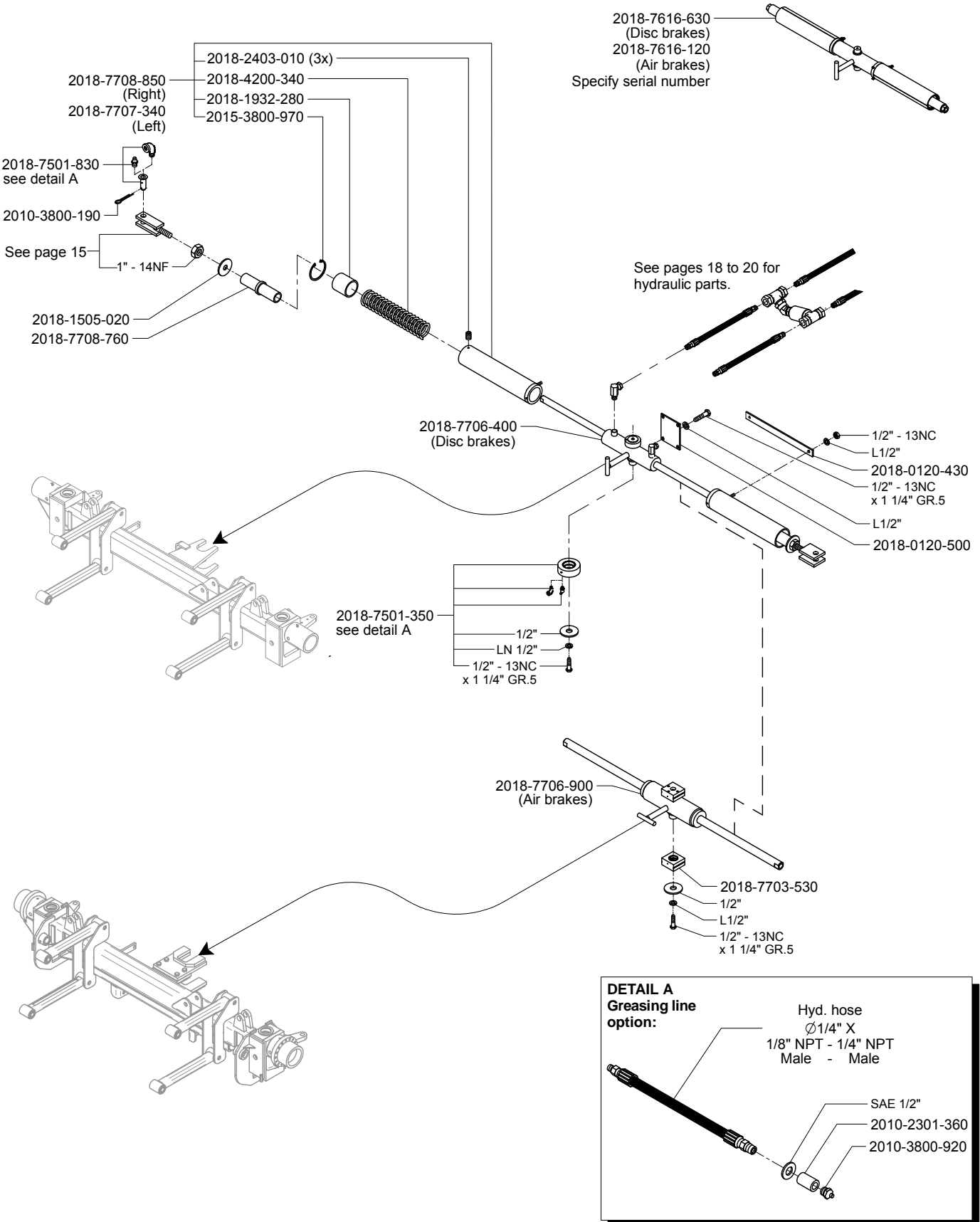


EL48-4D	
Single hitch	2018-7633-540
3200 - 3600 gal (UK) 3850 - 4300 gal (US) 14550 - 16350 l Double hitch	2018-7633-550
4000 - 4350 gal (UK) 4800 - 5250 gal (US) 18200 - 19750 l Double hitch	2018-7614-090
Offset hitch	2018-7633-560
Ball hitch	2018-7600-940
Ball hitch (Euro model)	2018-7601-400
PowerHitch 3 & 4	2018-7643-150
PowerHitch 5	2018-7601-460

EL48-6D	
Single hitch	2018-7633-570
3600 gal (UK) 4300 gal (US) 16350 l Double hitch	2018-7633-580
4000 - 6100 gal (UK) 4800 - 7300 gal (US) 18200 - 27750 l Double hitch	2018-7616-690
Offset hitch	2018-7633-590
Ball hitch	2018-7601-410
Ball hitch (Euro model)	2018-7601-430
PowerHitch 3 & 4	2018-7643-160
PowerHitch 5	2018-7601-470

EL48-8D	
Single hitch	2018-7633-600
Double hitch	2018-7617-420
Ball hitch	2018-7601-440
Ball hitch (Euro model)	2018-7601-450
PowerHitch 3 & 4	2018-7643-170
PowerHitch 5	2018-7601-480

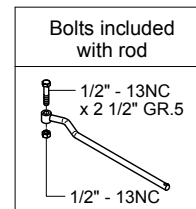
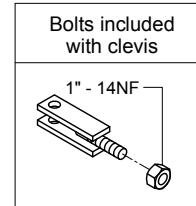
POWER STEERING CABLE			
Length	Part #	Length	Part #
126"	2018-3710-000	258"	2018-3710-320
130"	2018-3710-010	262"	2018-3710-030
134"	2018-3710-590	266"	2018-3710-330
138"	2018-3710-020	270"	2018-3710-340
142"	2018-3710-030	278"	2018-3710-350
146"	2018-3710-040	282"	2018-3710-360
150"	2018-3710-050	286"	2018-3710-640
154"	2018-3710-060	290"	2018-3710-370
158"	2018-3710-070	294"	2018-3710-380
162"	2018-3710-080	296"	2018-3710-390
165"	2018-3710-090	297"	2018-3710-400
166"	2018-3710-100	300"	2018-3710-410
170"	2018-3710-600	302"	2018-3710-420
174"	2018-3710-110	306"	2018-3710-650
175"	2018-3710-120	309"	2018-3710-430
178"	2018-3710-130	310"	2018-3710-440
182"	2018-3710-140	314"	2018-3710-450
186"	2018-3710-150	318"	2018-3710-460
190"	2018-3710-160	322"	2018-3710-660
194"	2018-3710-170	326"	2018-3710-470
198"	2018-3710-610	330"	2018-3710-670
202"	2018-3710-550	334"	2018-3710-480
206"	2018-3710-620	338"	2018-3710-490
215"	2018-3710-180	342"	2018-3710-680
218"	2018-3710-190	346"	2018-3710-500
220"	2018-3710-200	350"	2018-3710-720
222"	2018-3710-210	370"	2018-3710-510
225"	2018-3710-220	375"	2018-3710-520
230"	2018-3710-230	382"	2018-3710-530
232"	2018-3710-240	386"	2018-3710-700
234"	2018-3710-250	394"	2018-3710-540
238"	2018-3710-260	398"	2018-3710-710
244"	2018-3710-270	406"	2018-3700-050
246"	2018-3710-280	410"	2018-3700-040
250"	2018-3710-290	418"	2018-3710-790
254"	2018-3710-300	422"	2018-3700-030
256"	2018-3710-310		



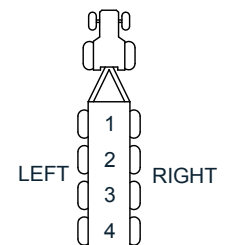
**CLEVIS AND ROD FOR FOR POWER STEERING CABLE
(DISC BRAKE) - SINCE AUGUST 2006**

NOTE: Before ordering, always refer to the serial no

EL48-4D / EL48-6D		
Since august 2006 (serial no reference 06-5730)		
Tire	Clevis	Rod for power steering
FIRESTONE 28L x 26 ALLIANCE 28L x 26 GOODYEAR 18.4 x 26 GOODYEAR 23.1 x 26 (Specify Serial No.)	 2018-7708-910 OR 2018-7722-800	 2018-7708-870 OR 2018-7722-790
	GOODYEAR 28L x 26 GALAXY 725 x 65 x 26 2018-7722-800	 2018-7722-790
TIRE 850 GALAXY 850 x 50 x 32 ALLIANCE 850 x 50 x 30.5 2018-7730-250	 2018-7730-260	

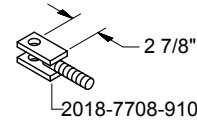
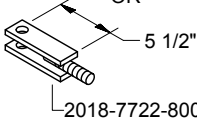
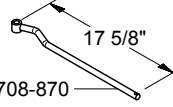
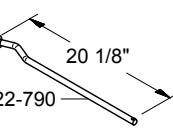
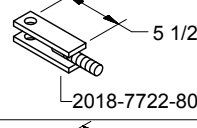
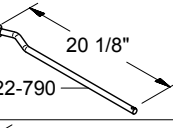

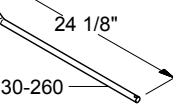


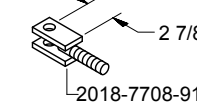
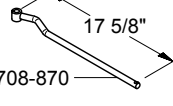
EL48 8D			
Since august 2006 (serial no reference 06-5730)			
Tire	Clevis	Rod for power steering (axle 3 fixed)	
		For axle 1	For axles 2 and 4
FIRESTONE 28L x 26 ALLIANCE 28L x 26 GOODYEAR 18.4 x 26 GOODYEAR 23.1 x 26 (Specify Serial No.)	 2018-7708-910 OR 2018-7722-800	 2018-7708-870 OR 2018-7722-790	 2018-7735-900
		GOODYEAR 28L x 26 GALAXY 725 x 65 x 26 2018-7722-800	 2018-7722-790
TIRE 850 GALAXY 850 x 50 x 32 ALLIANCE 850 x 50 x 30.5 2018-7730-250	 2018-7730-260	 2018-7735-910	

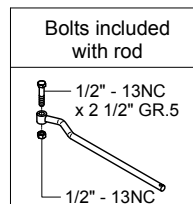
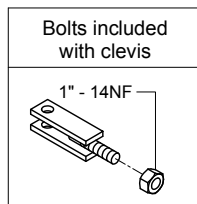


**CLEVIS AND ROD FOR POWER STEERING CABLE
(DISC BRAKE) - BEFORE AUGUST 2006**

NOTE: Before ordering, always refer to the serial no

EL48-4D / EL48-6D / EL48-8D		
from june 2002 to august 2006 (serial no reference: 02-3806 à 06-5729)		
Tire	Clevis	Rod for Power Steering cable
FIRESTONE 28L x 26 ALLIANCE 28L x 26 GOODYEAR 18.4 x 26 GOODYEAR 23.1 x 26 (Specify Serial No.)	 2 7/8" 2018-7708-910 OR  5 1/2" 2018-7722-800	 17 5/8" 2018-7708-870 OR  20 1/8" 2018-7722-790
GOODYEAR 28L x 26 GALAXY 725 x 65 x 26	 5 1/2" 2018-7722-800	 20 1/8" 2018-7722-790
TIRE 850 GALAXY 850 x 50 x 32 ALLIANCE 850 x 50 x 30.5	 9 1/2" 2018-7730-250	 24 1/8" 2018-7730-260

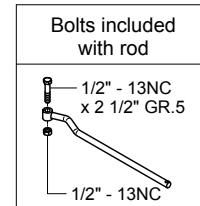
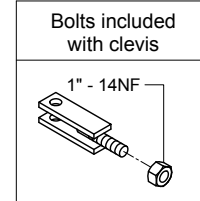
EL48-4D / EL48-6D / EL48-8D		
before june 2002 (serial no reference: 02-3805)		
Tire	Clevis	Rod for Power Steering cable
All Models Before #02-3806	 2 7/8" 2018-7708-910	 17 5/8" 2018-7708-870



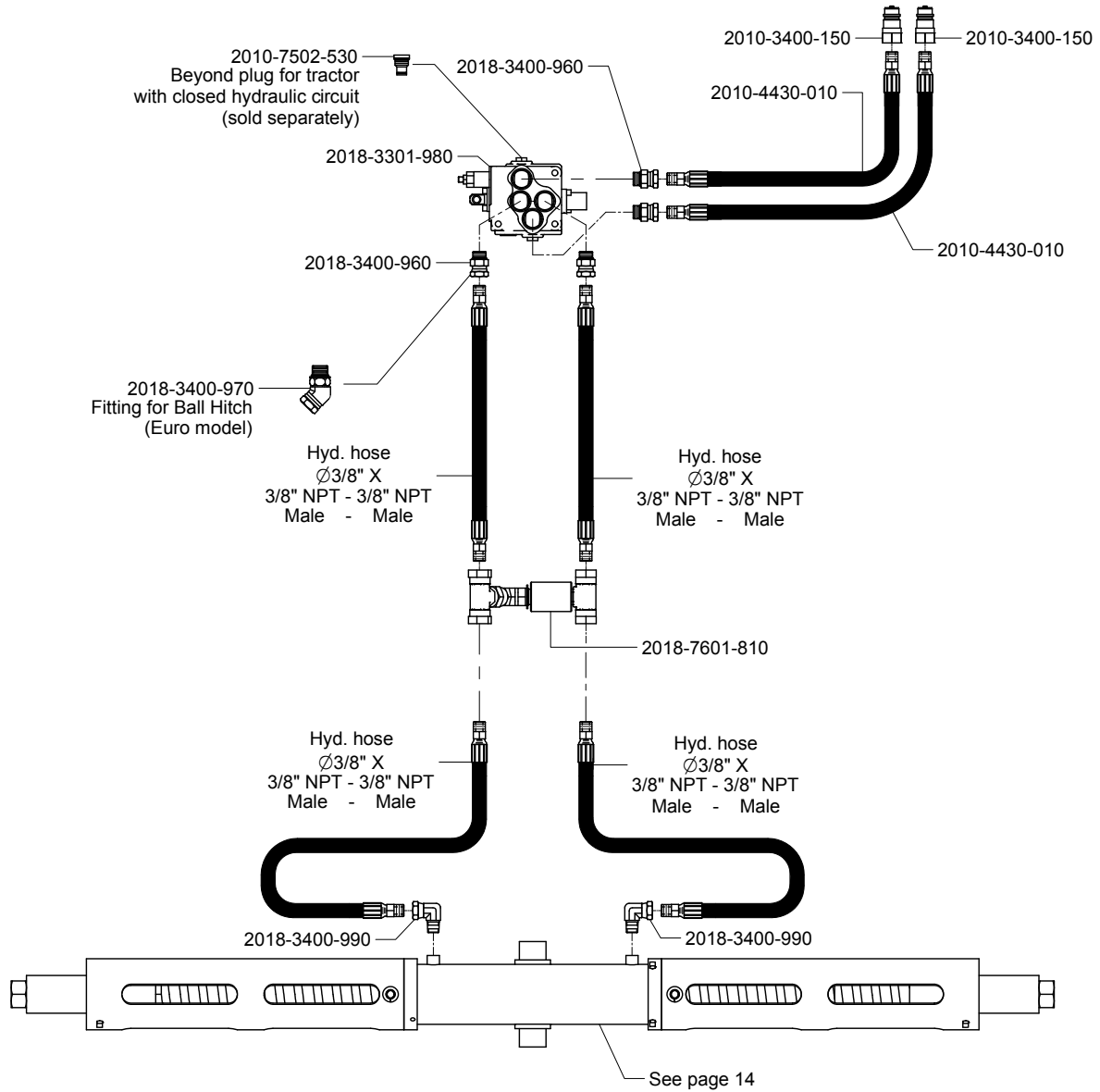
**CLEVIS AND ROD FOR POWER STEERING CABLE
(AIR BRAKE)**

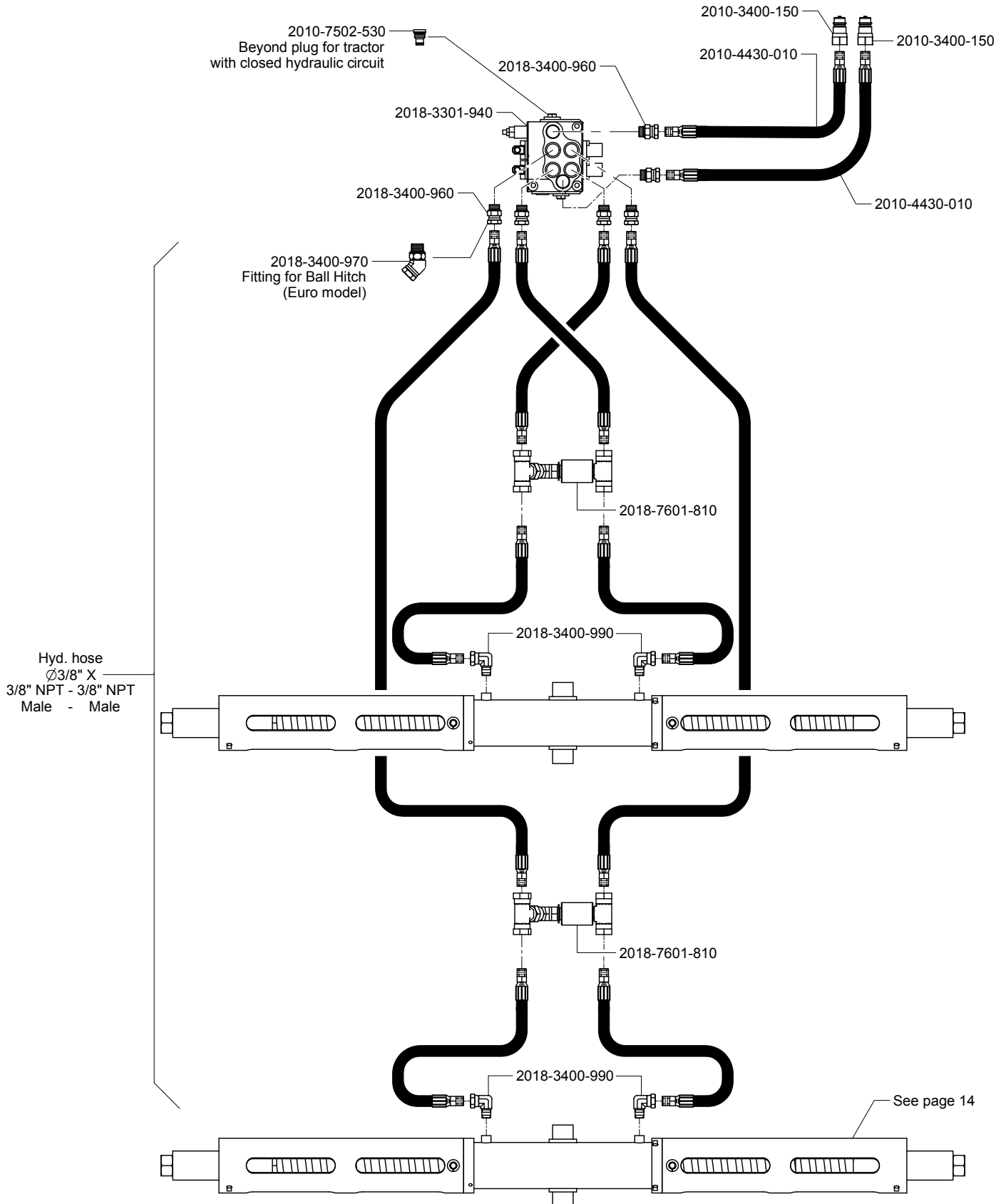
NOTE: Before ordering, always refer to the serial no

EL48-4D / EL48-6D		
Tire	Clevis	Rod for power steering
FIRESTONE 28L x 26 ALLIANCE 28L x 26 GOODYEAR 18.4 x 26 GOODYEAR 23.1 x 26 GALAXY 725 x 65 x 26 (Specify Serial No.)	 2018-7708-910	 2018-7708-870
	OR 2018-7703-780	OR 2018-7722-790
TIRE 850 GALAXY 850 x 50 x 32 ALLIANCE 850 x 50 x 26	 2018-7705-740	 2018-7730-260

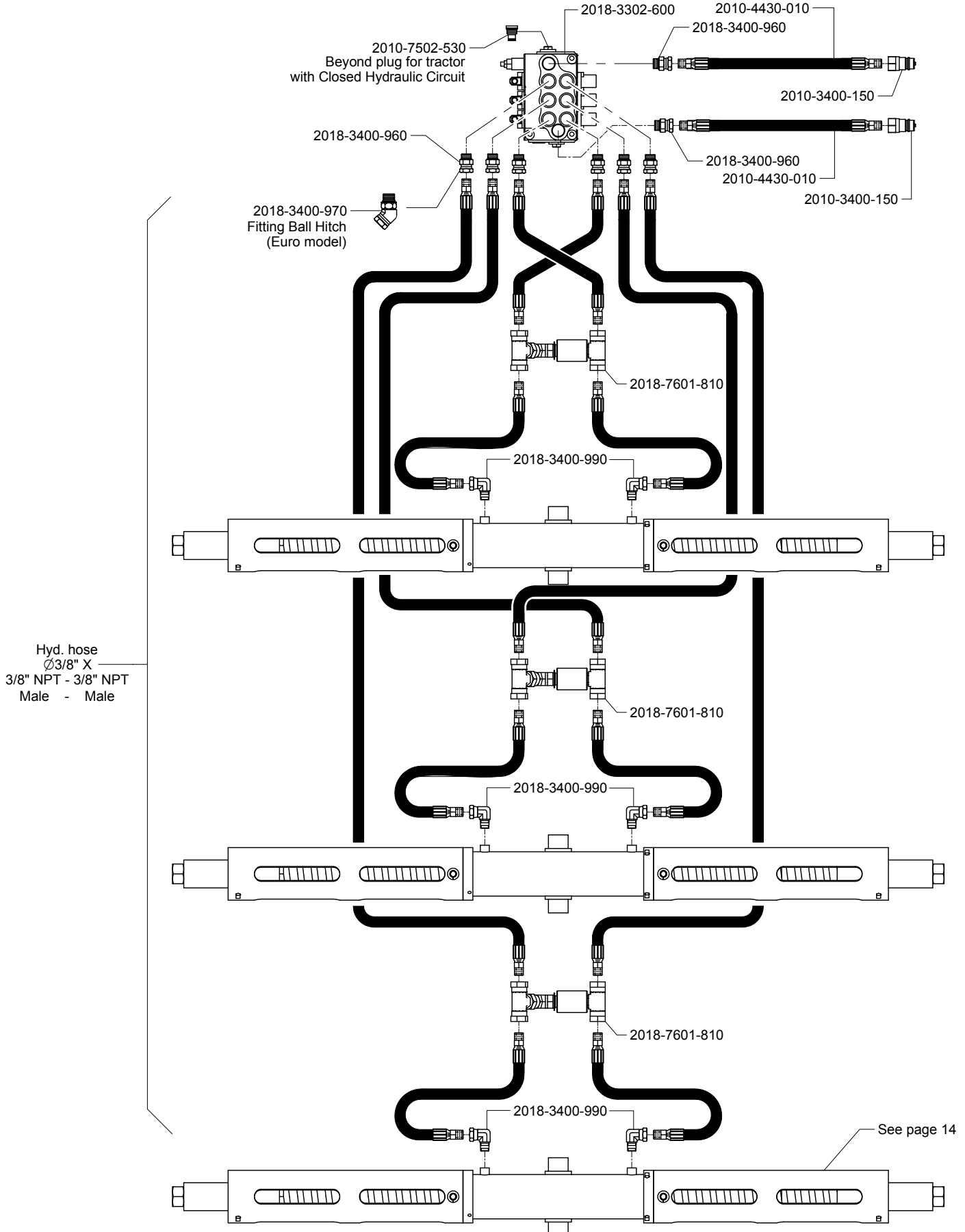


EL48-8D			
Tire	Clevis	Rod for power steering (axle 3 fixed)	
		For axle 1	For axles 2 and 4
FIRESTONE 28L x 26 ALLIANCE 28L x 26 GOODYEAR 18.4 x 26 GOODYEAR 23.1 x 26 GALAXY 725 x 65 x 26 (8D) (Specify Serial No.)	 2018-7722-800	 2018-7722-790	 2018-7735-900
		 2018-7730-260	 2018-7735-910
TIRE 850 GALAXY 850 x 50 x 30.5 ALLIANCE 850 x 50 x 30.5 8D	 2018-7730-250	 2018-7730-260	 2018-7735-910



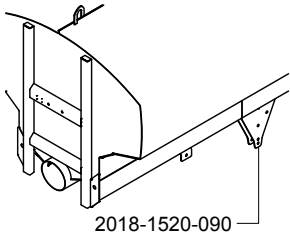


HYDRAULIC SYSTEM - POWER STEERING SYSTEM - 8D

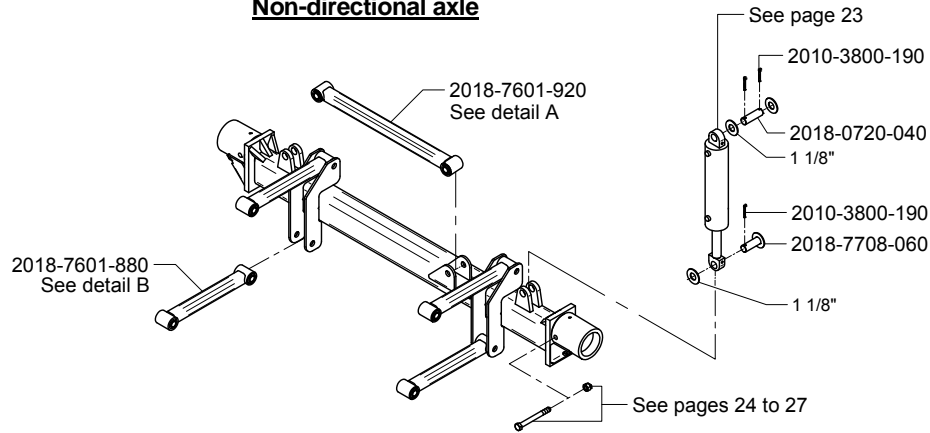


STANDARD AXLE

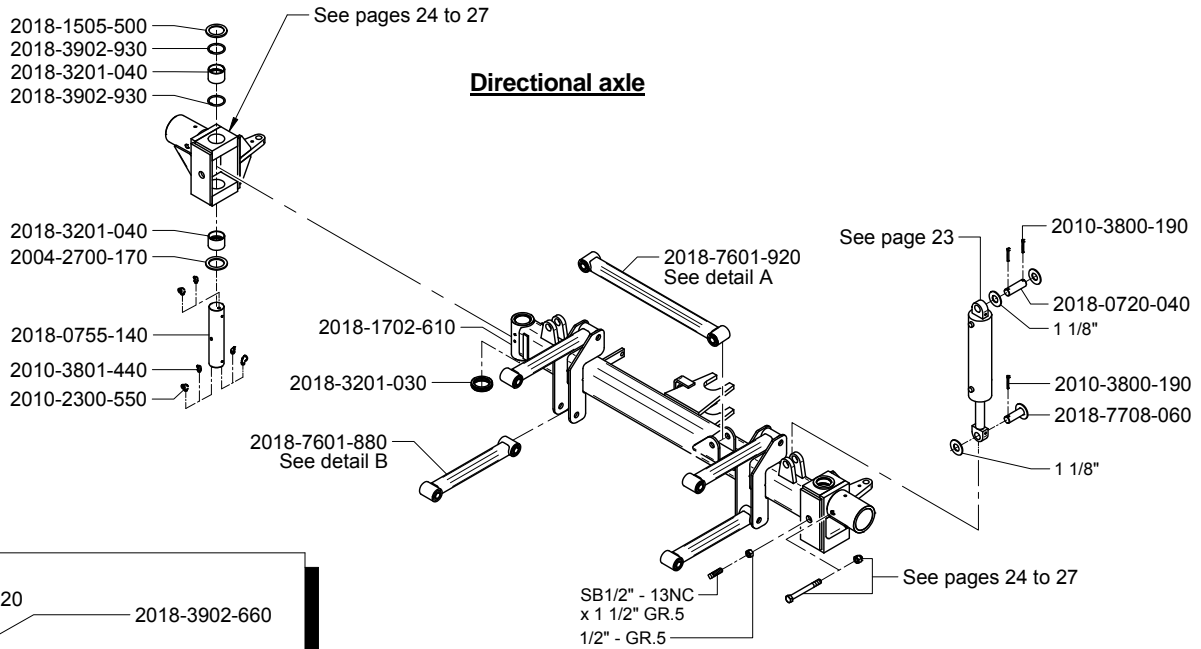
Not compatible with triple caliper brake, air brakes and 850 tire model.
(Refer to Axle with truss)



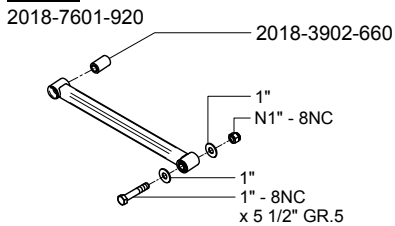
Non-directional axle



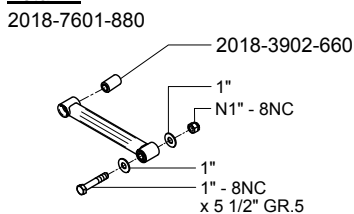
Directional axle



Detail A

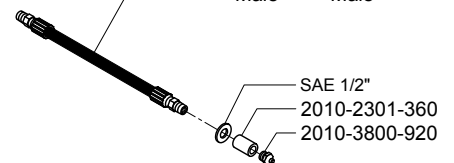


Detail B



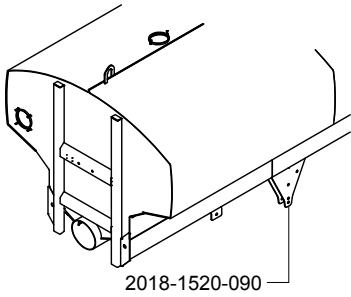
Grease line option:

Hyd. hose
Ø1/4" X
1/4" NPT - 1/4" NPT
Male - Male

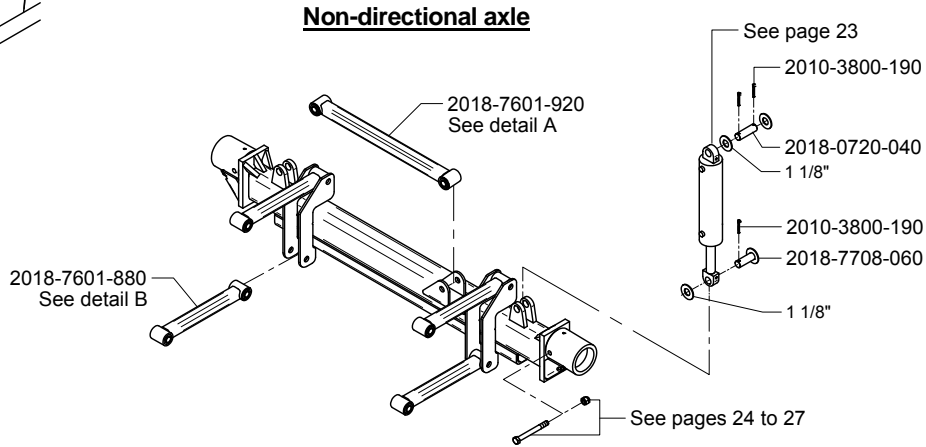


AXLE WITH TRUSS

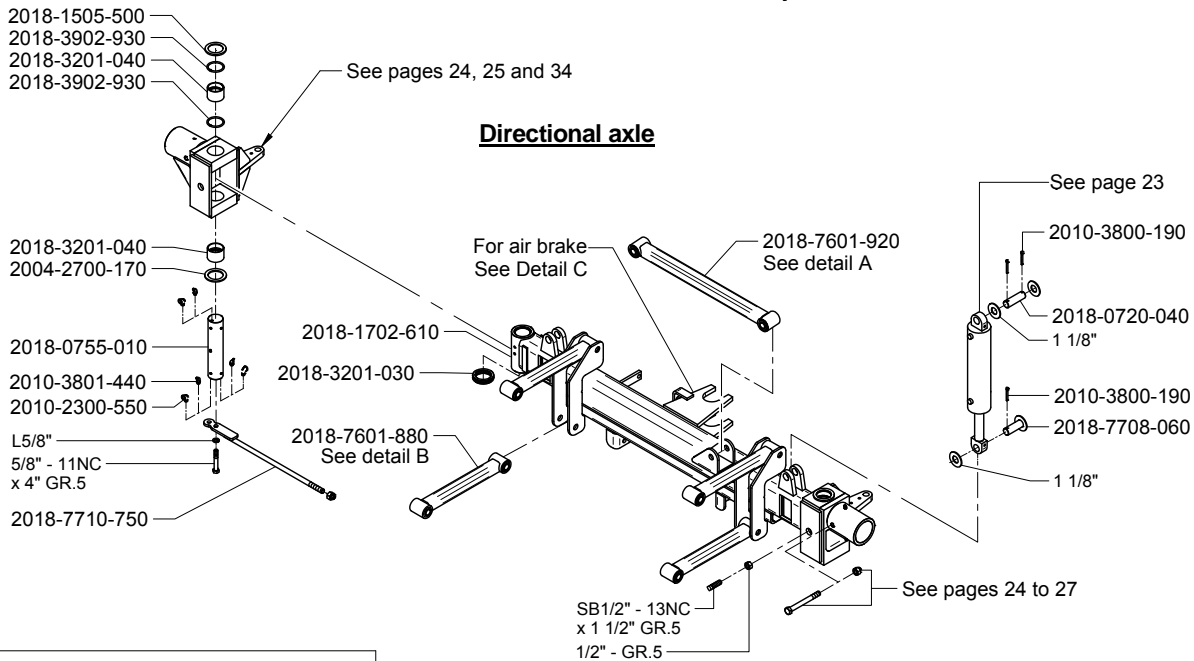
Mandatory with triple caliper brake, air brake and 850 tires model.



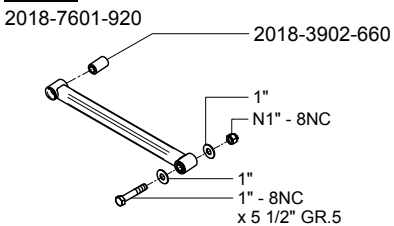
Non-directional axle



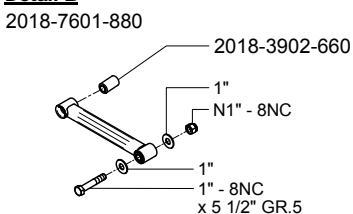
Directional axle



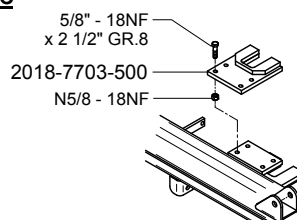
Detail A



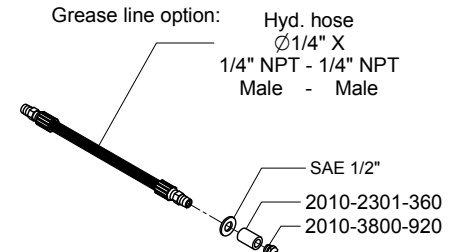
Detail B



Detail C

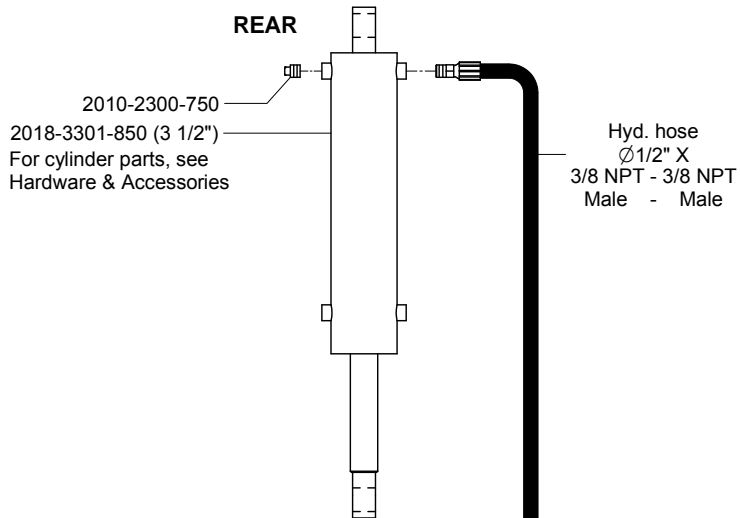


Grease line option:

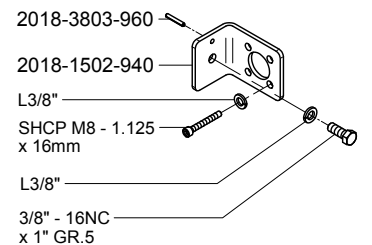
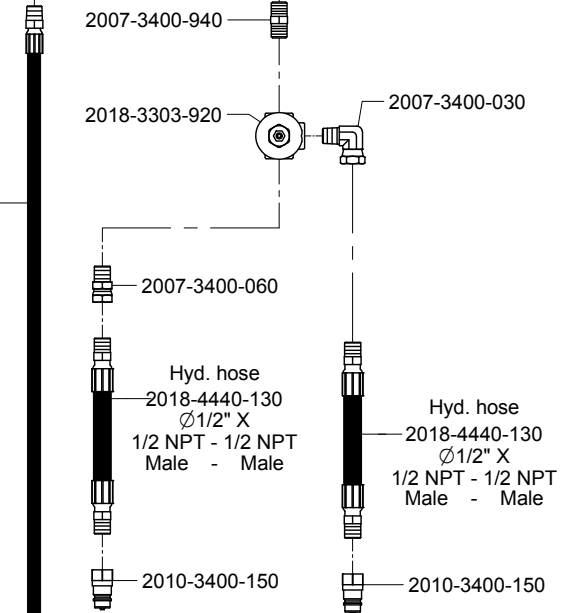
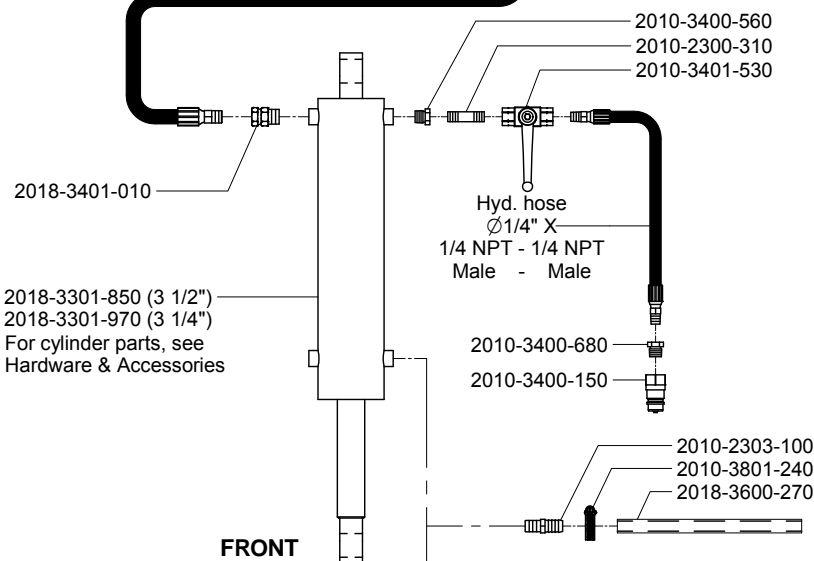
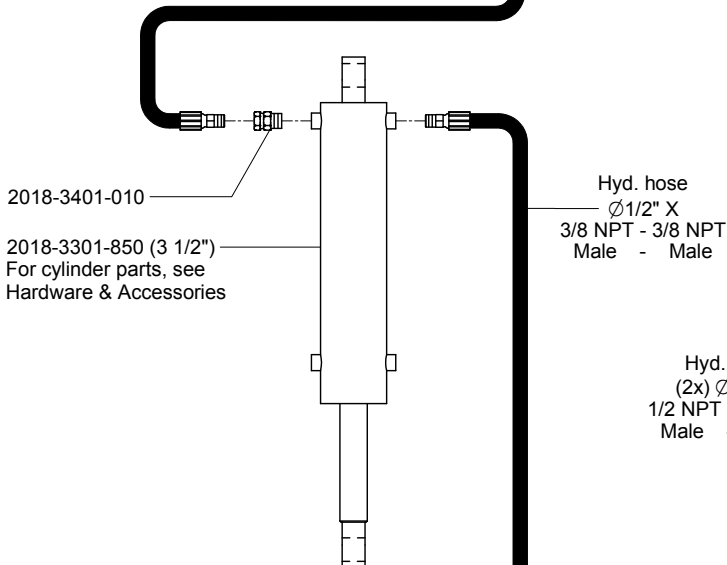
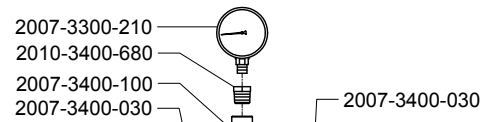


SUSPENSION SYSTEM

For hydraulic hose replacement, refer to Hardware & Accessories.



Hydraulic weight transfer system option

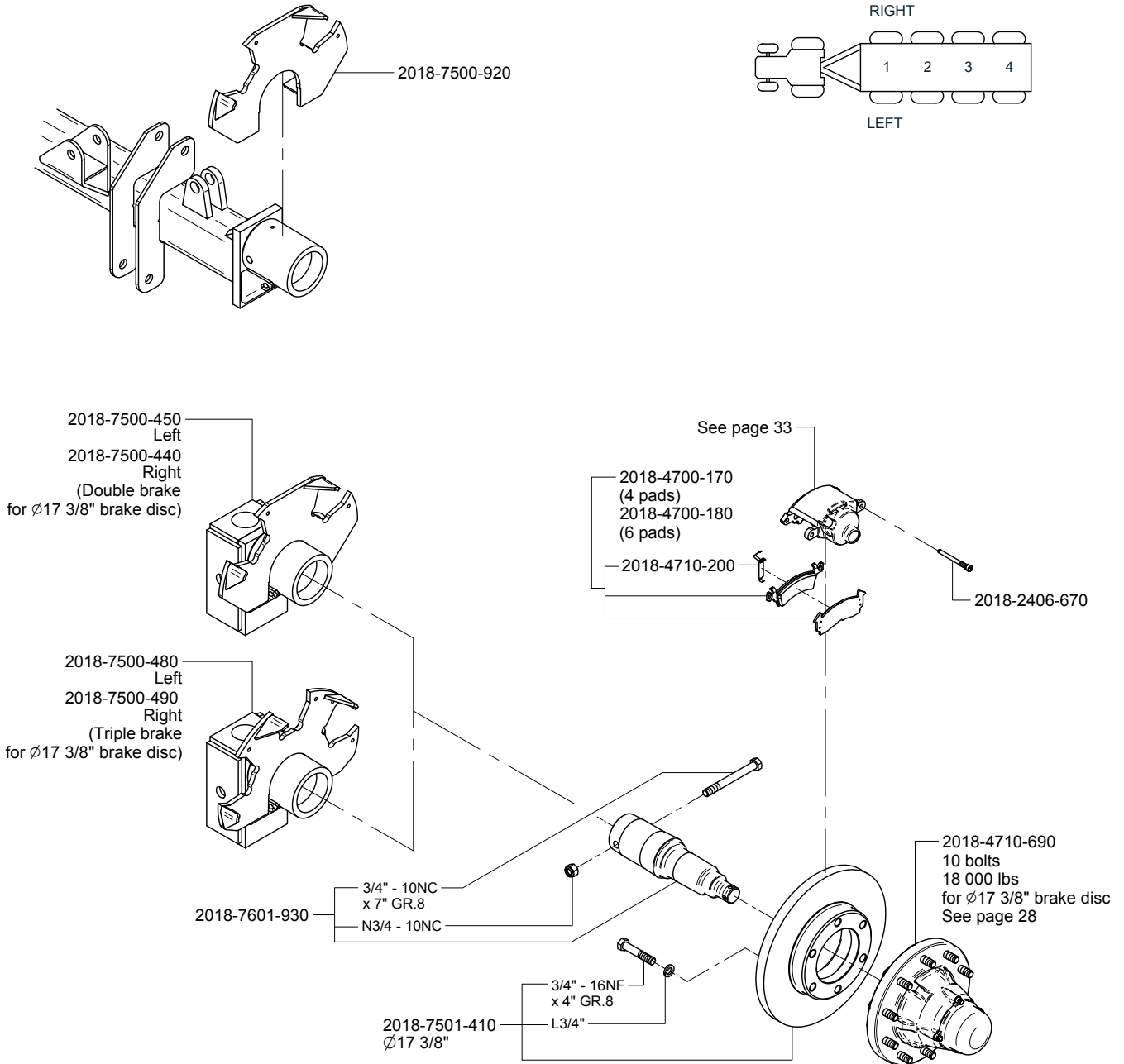


2018-3400-990 (2X)

STEERING KNUCKLE, BRAKE, AXLE AND HUB SINCE SEPTEMBER 2014

Serial no reference: since CA11-1408940

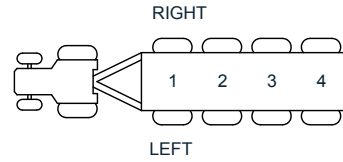
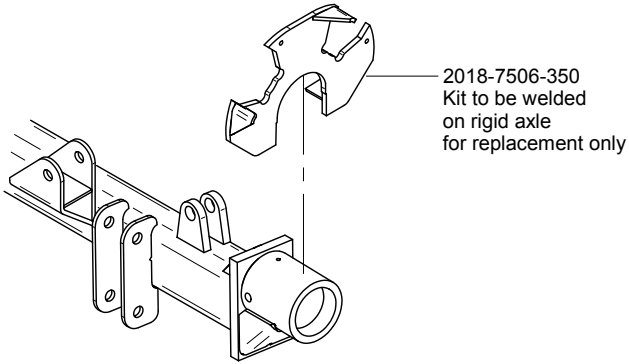
Note: The steering knuckle without caliper model is discontinued. For replacement, use the double caliper model.



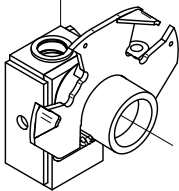
STEERING KNUCKLE, BRAKE, AXLE AND HUB FROM JUNE 2006 TO SEPTEMBER 2014

Serial no reference: 1801-065650 @ CA11-1408940

Note: The steering knuckle without caliper and single caliper is discontinued. For replacement, use the double caliper model.



2018-7506-850
Left
2018-7506-840
Right
(Double brake
for $\varnothing 15 \frac{3}{8}$ "
brake disc)



See page 33

2018-4700-170
(4 Pads)

2018-4710-200

2018-2406-670

2018-7601-930

3/4" - 10NC
x 7" GR.8
N3/4 - 10NC

2018-7501-390
 $\varnothing 15 \frac{3}{8}$ "

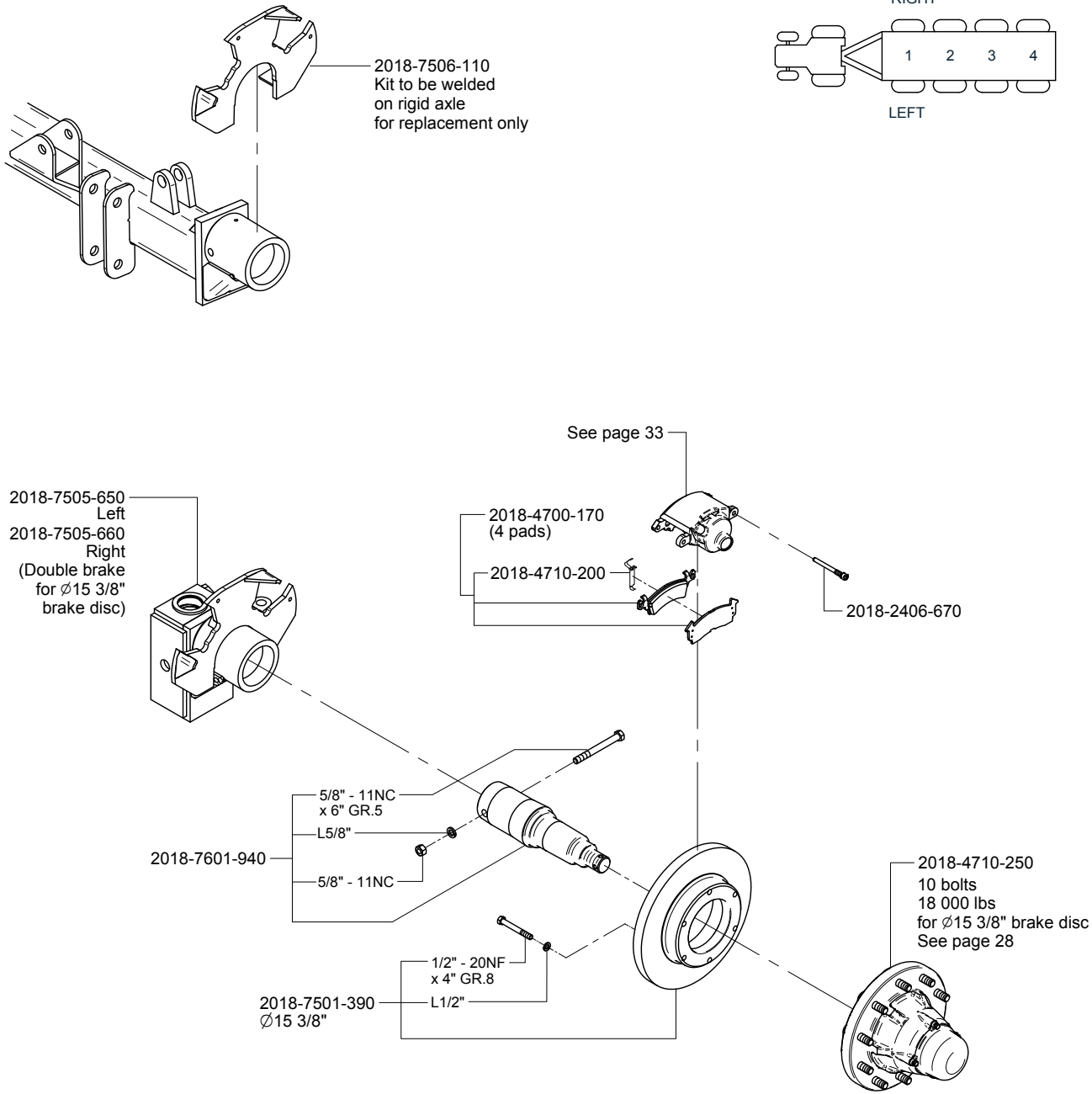
1/2" - 20NF
x 4" GR.8
L1/2"

2018-4710-250
10 bolts
18 000 lbs
for $\varnothing 15 \frac{3}{8}$ " brake disc,
see page 28

STEERING KNUCKLE, BRAKE, AXLE AND HUB FROM JUNE 1995 TO JUNE 2006

Serial no reference: 95-783 @ 1801-065649

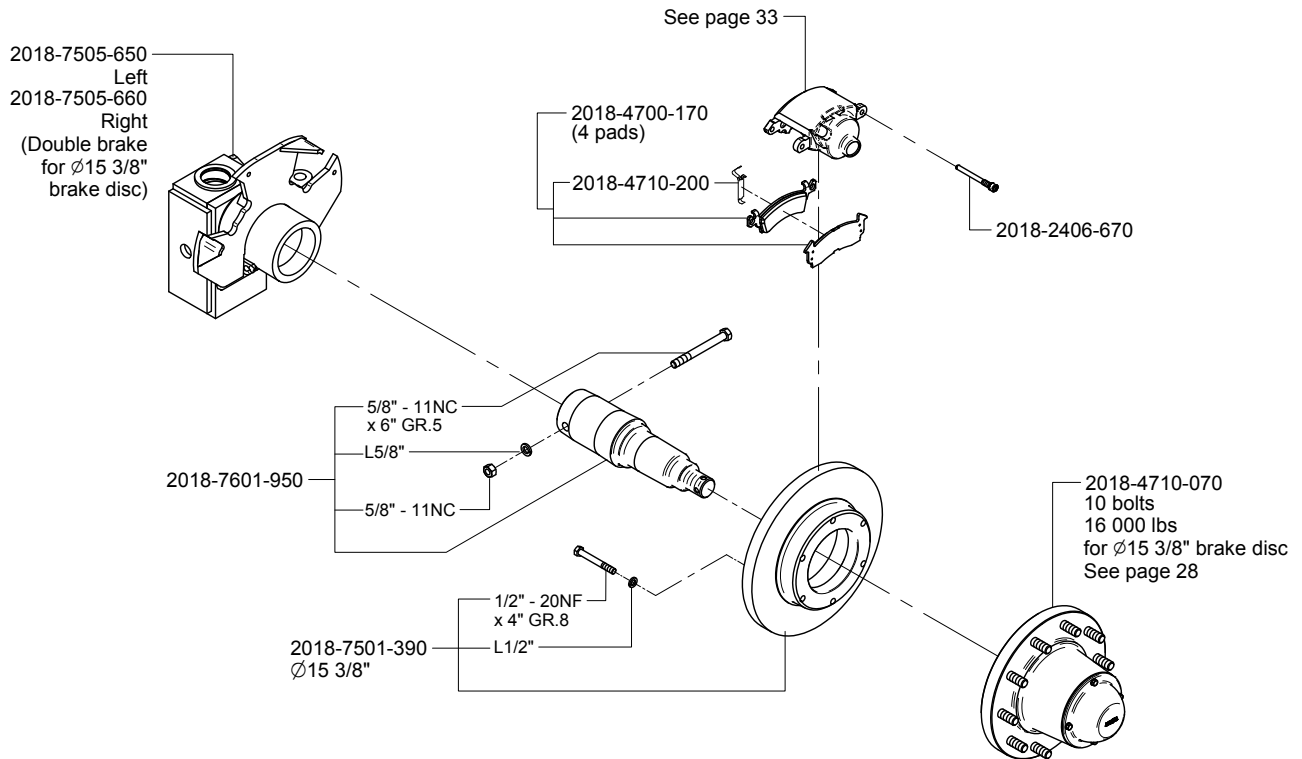
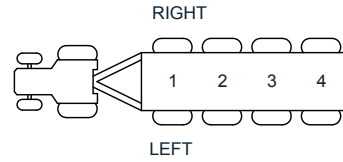
Note: The steering knuckle without caliper and single caliper is discontinued. For replacement, use the double caliper model.



STEERING KNUCKLE, BRAKE, AXLE AND HUB FROM 1993 TO JUNE 1995

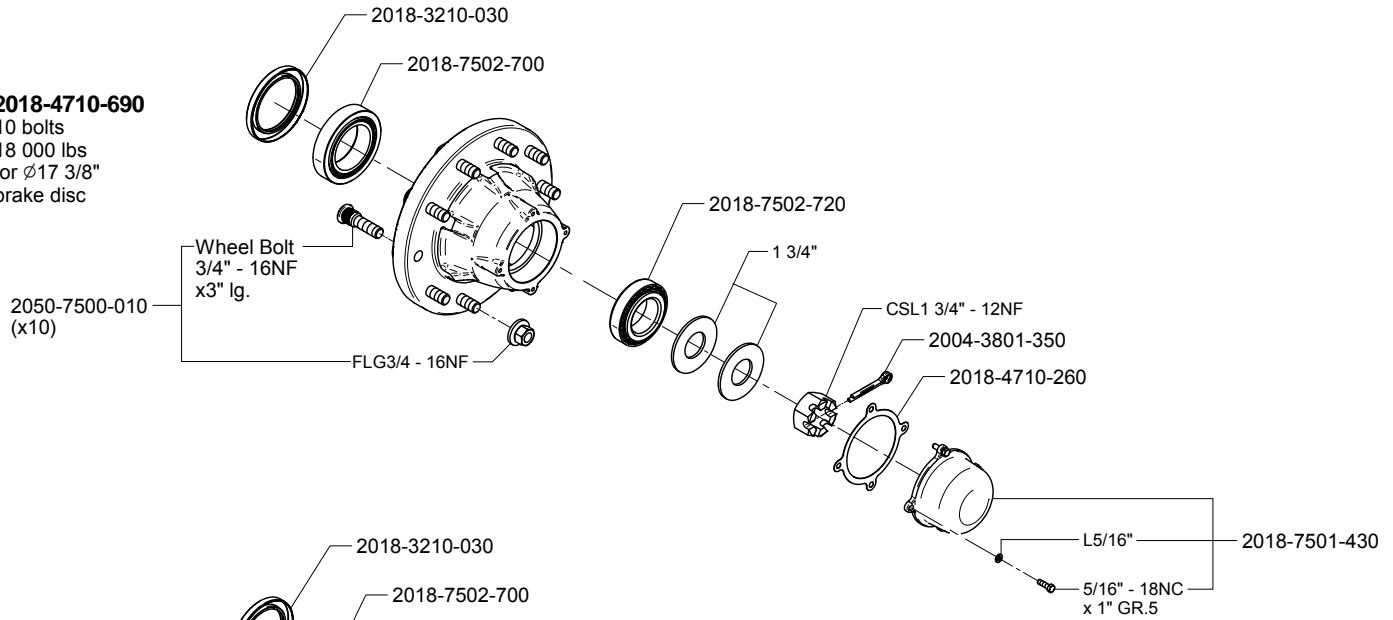
Serial no reference: Before 95-783

Note: The steering knuckle without caliper and single caliper is discontinued. For replacement, use the double caliper model.



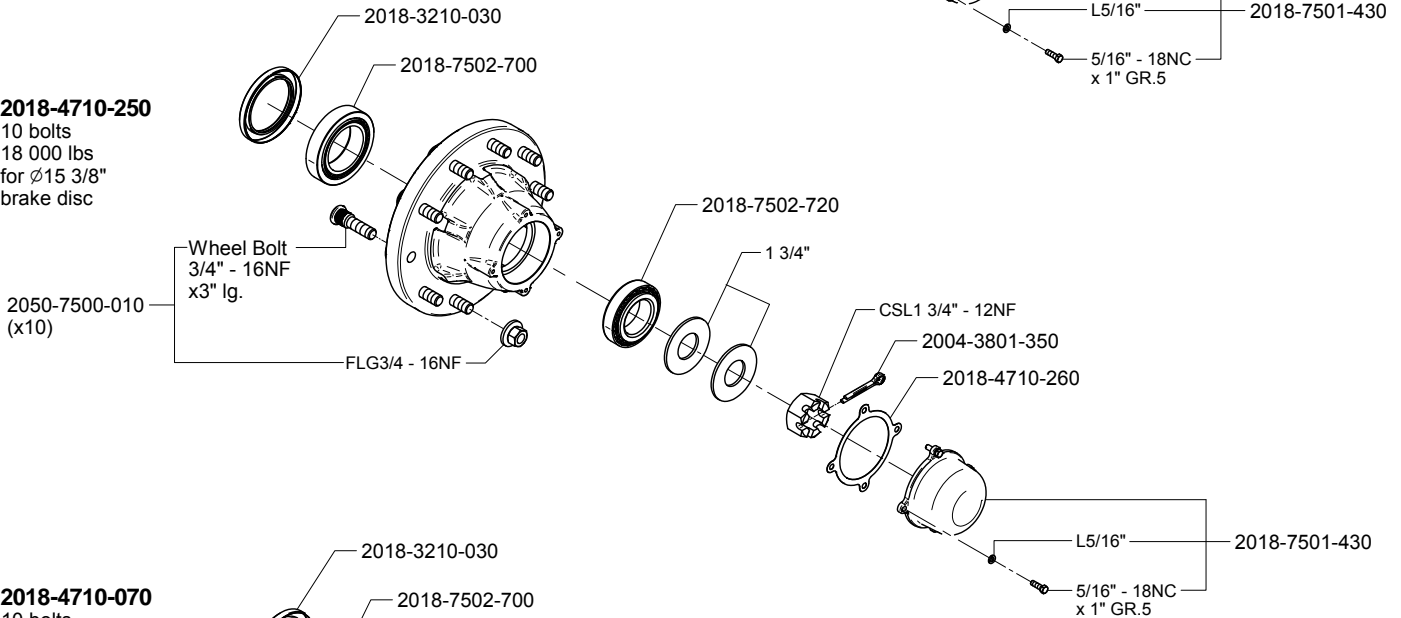
2018-4710-690

10 bolts
18 000 lbs
for \varnothing 17 3/8"
brake disc



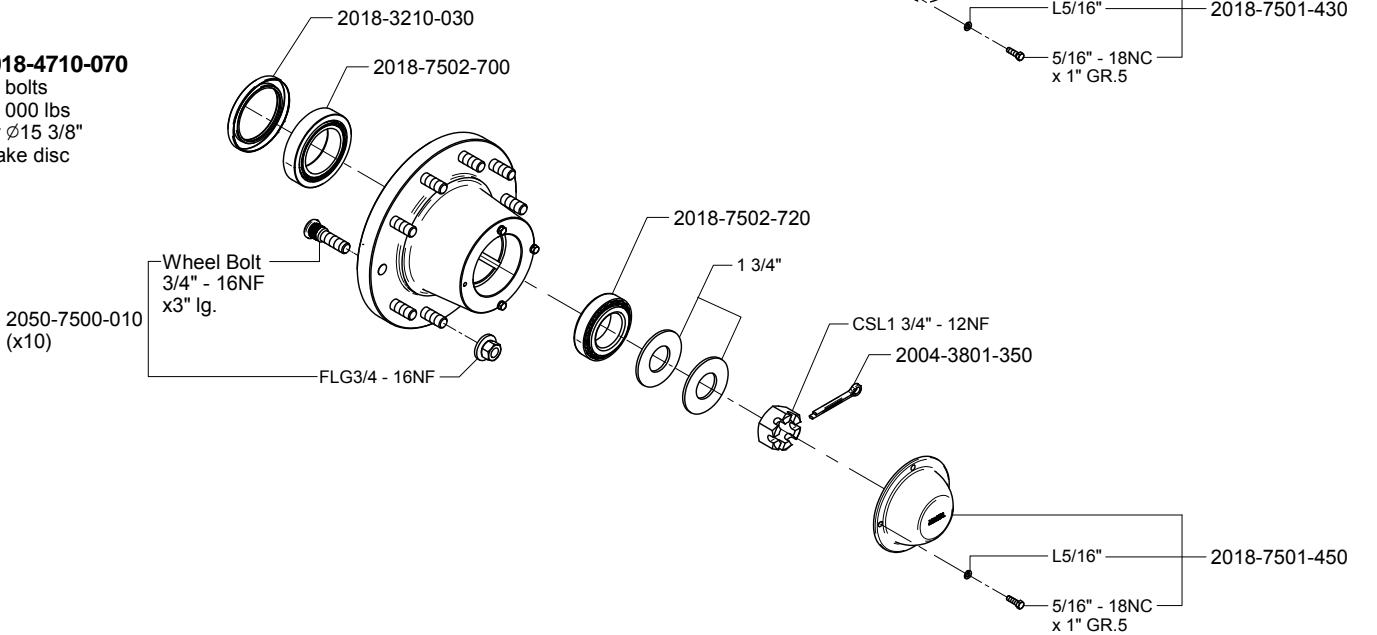
2018-4710-250

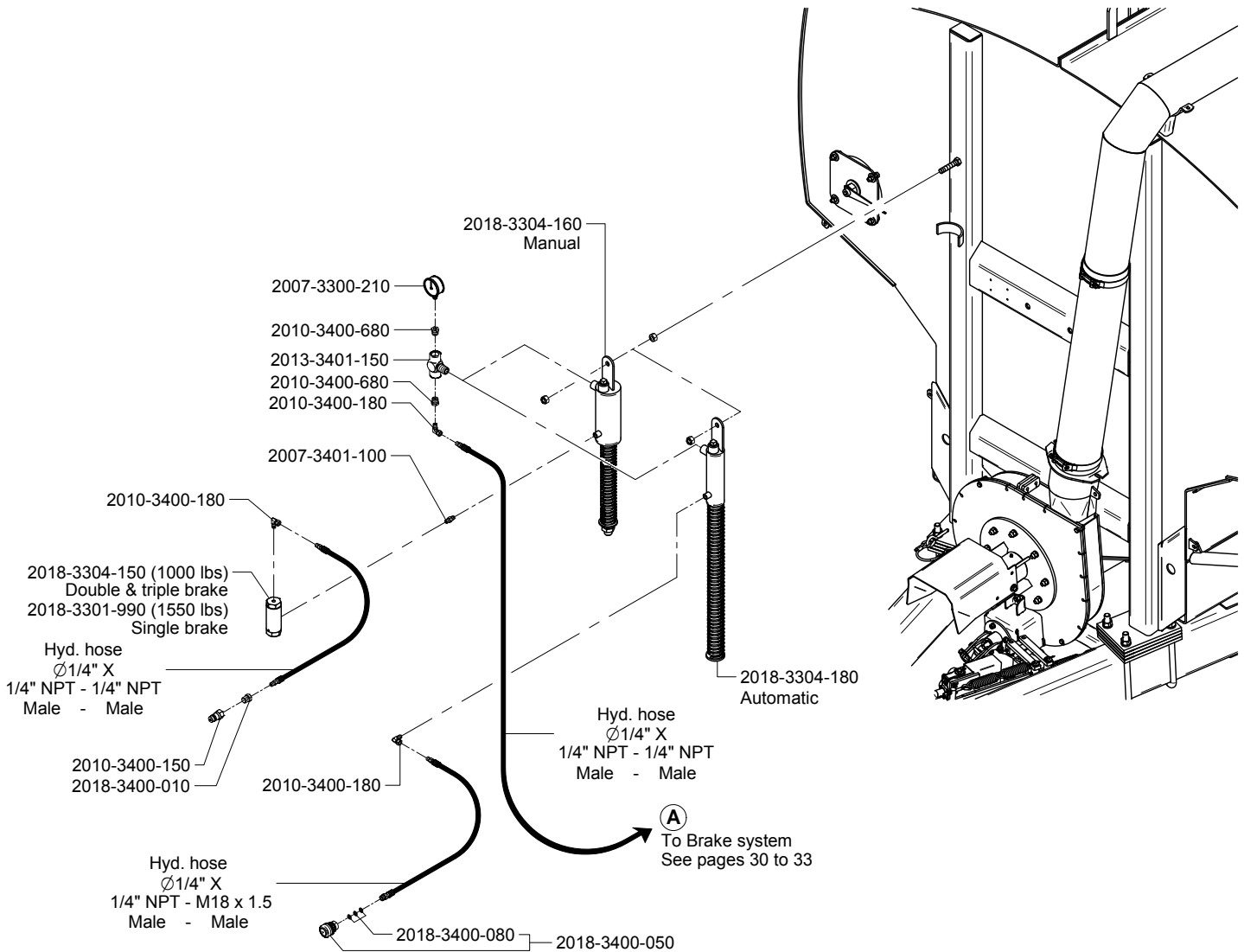
10 bolts
18 000 lbs
for \varnothing 15 3/8"
brake disc



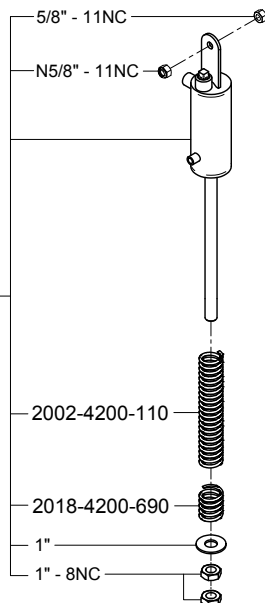
2018-4710-070

10 bolts
16 000 lbs
for \varnothing 15 3/8"
brake disc

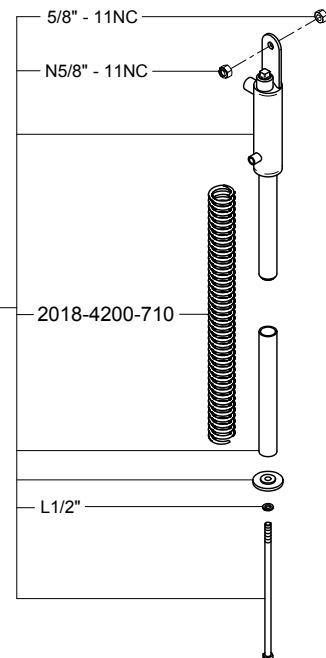


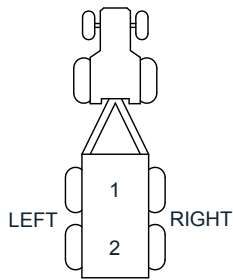


MANUAL
2018-3304-160
For parts of the cylinder,
see Hardware & Accessories

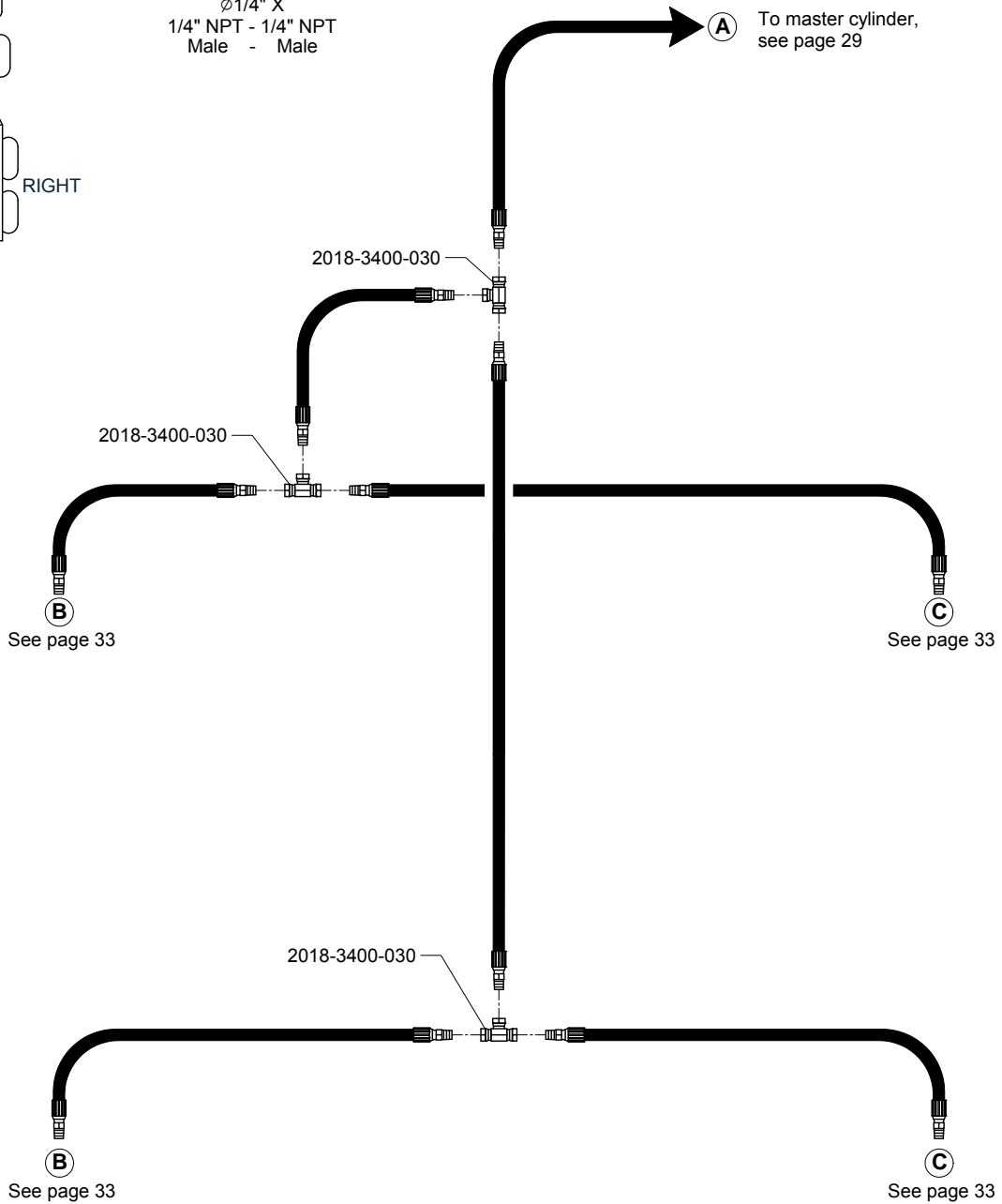


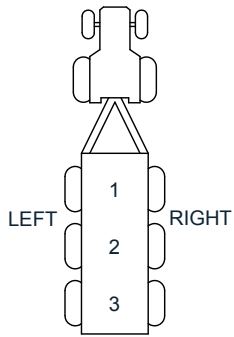
AUTOMATIC
2018-3304-180
For parts of the cylinder,
see Hardware & Accessories



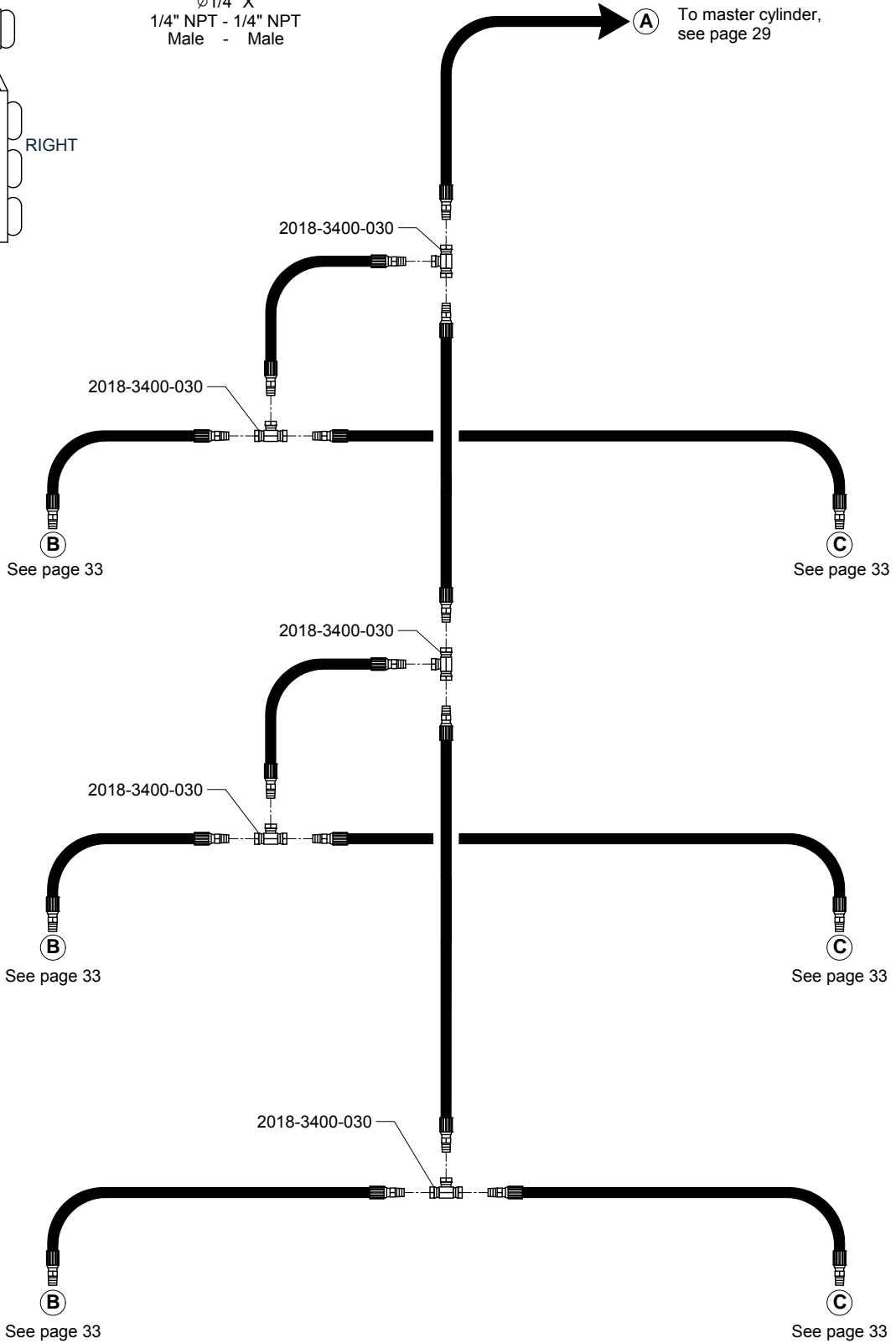


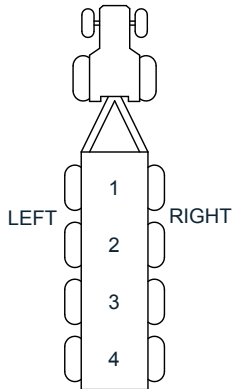
Hydraulic hoses
 $\phi 1/4"$ X
 1/4" NPT - 1/4" NPT
 Male - Male



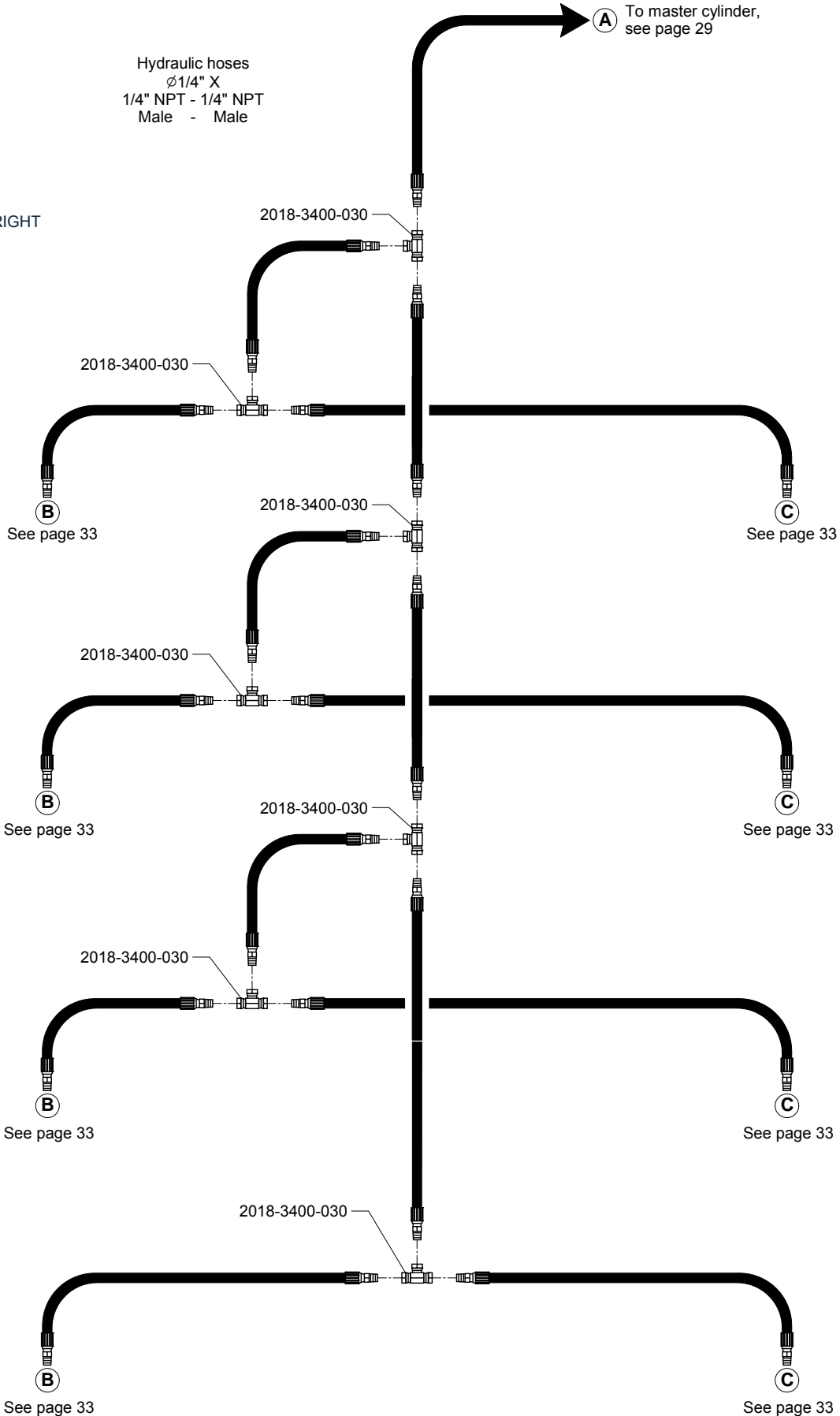


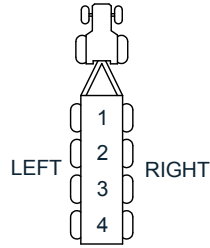
Hydraulic hoses
 $\varnothing 1/4"$ X
 1/4" NPT - 1/4" NPT
 Male - Male



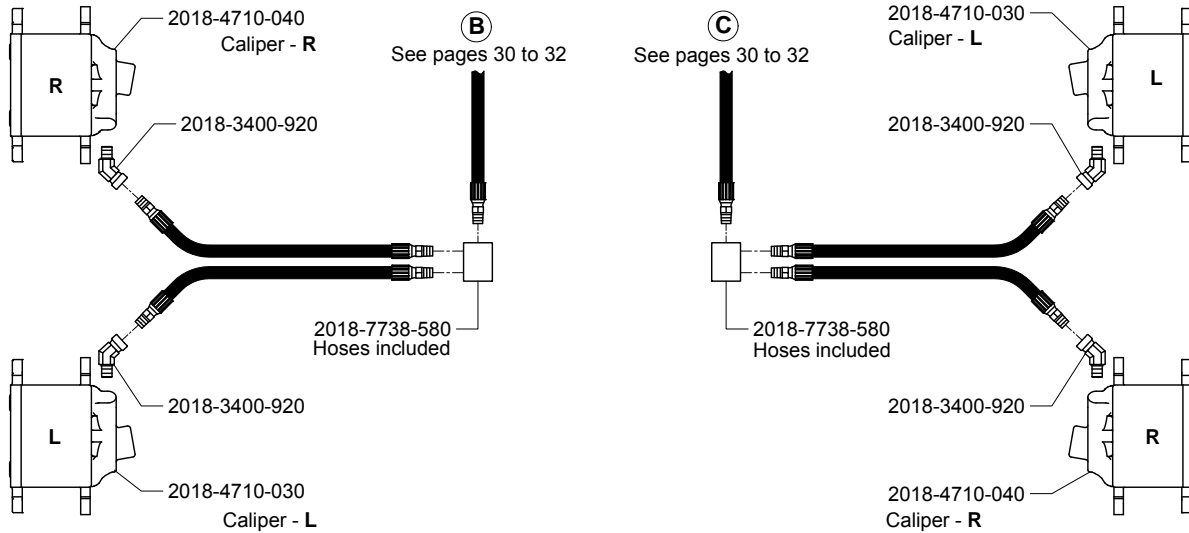


Hydraulic hoses
 $\varnothing 1/4"$ X
 1/4" NPT - 1/4" NPT
 Male - Male

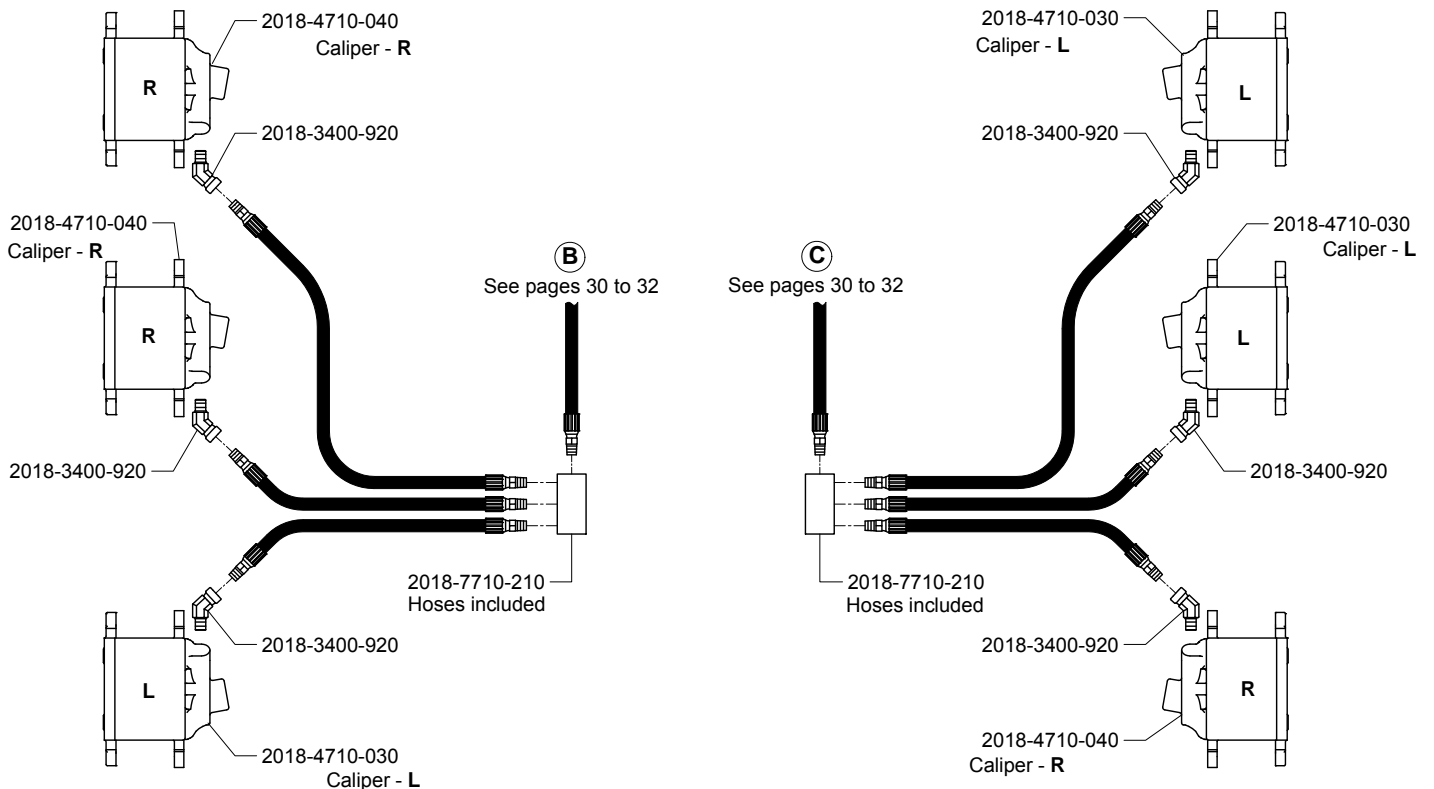


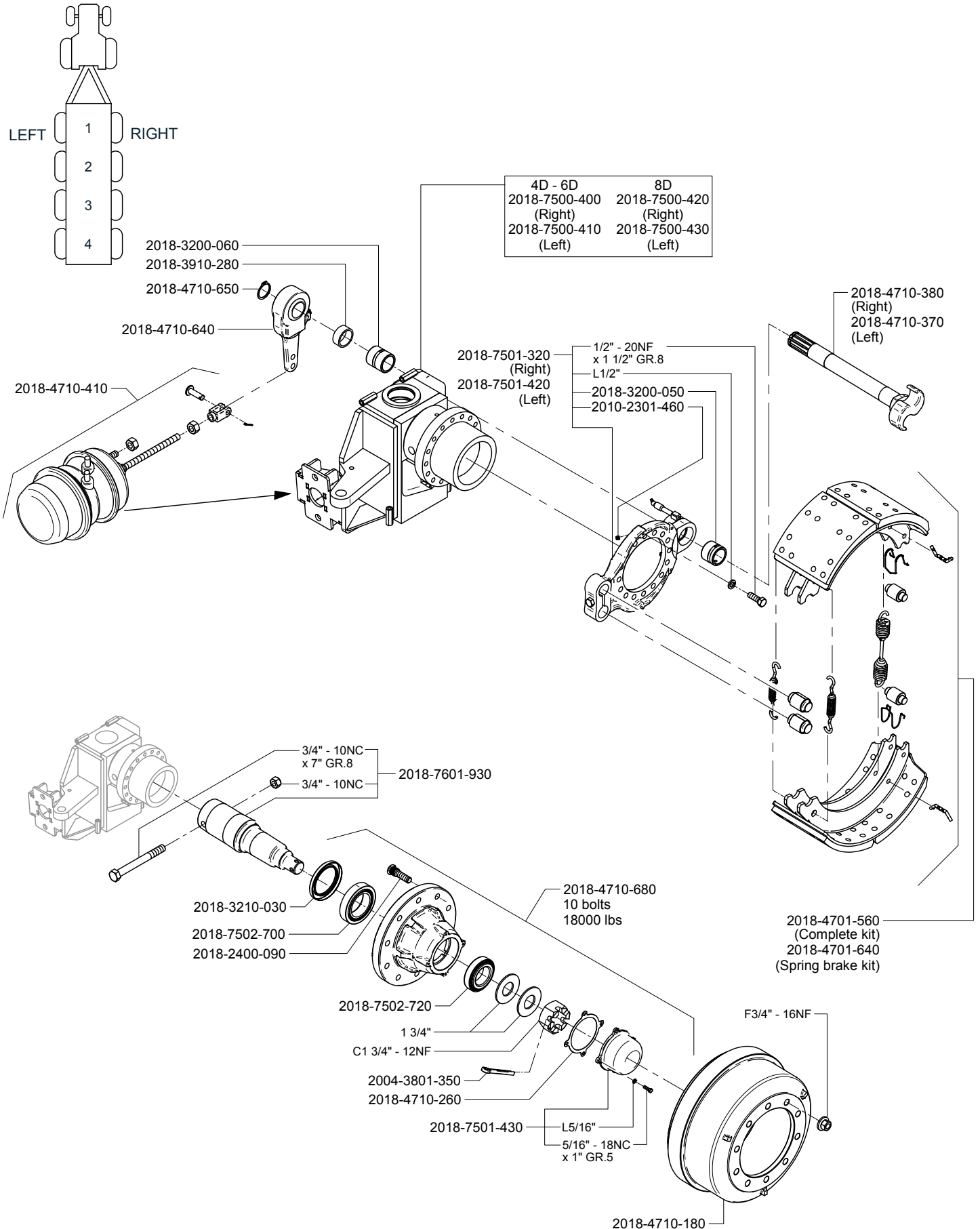


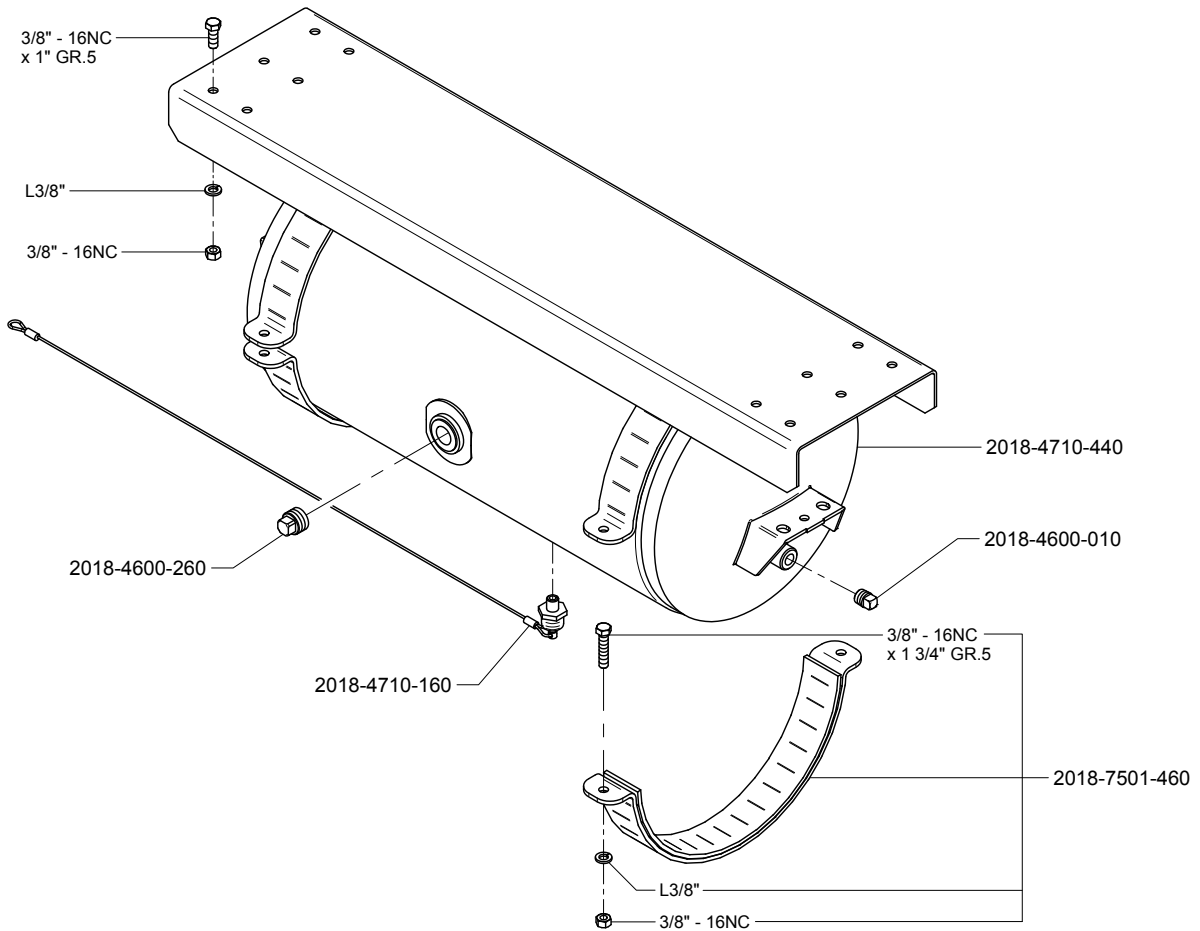
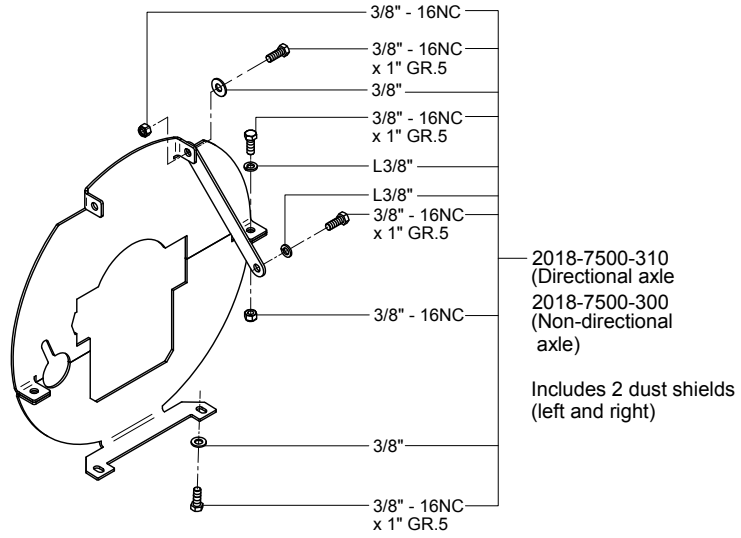
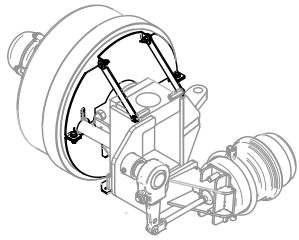
DOUBLE CALIPER BRAKES SET

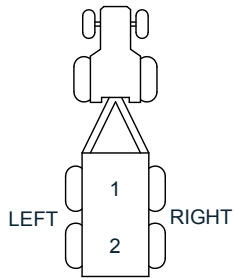
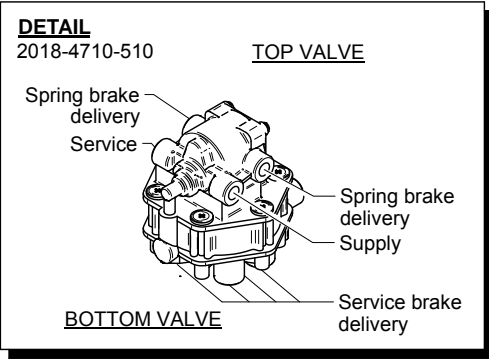


TRIPLE CALIPER BRAKES SET



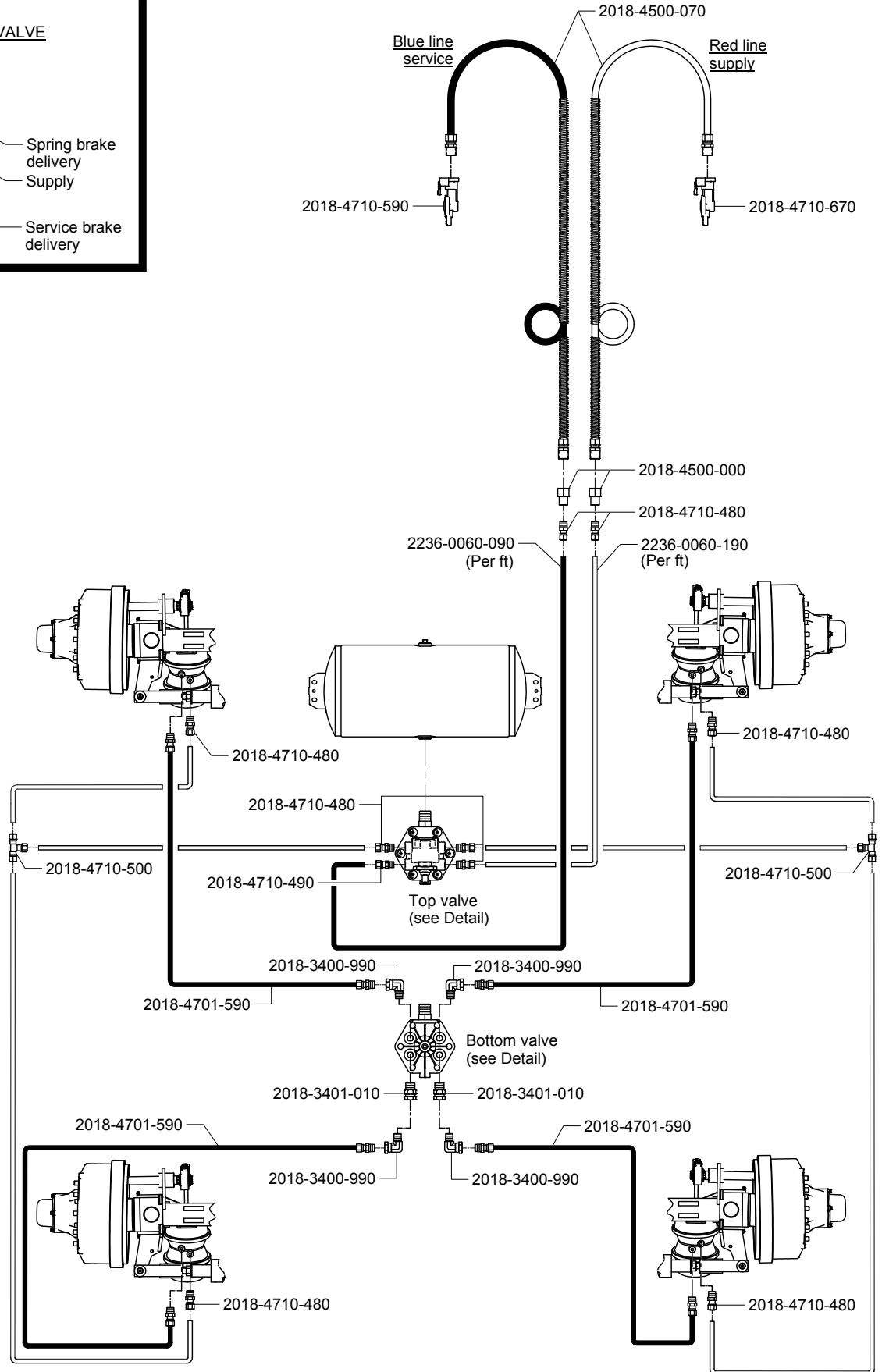


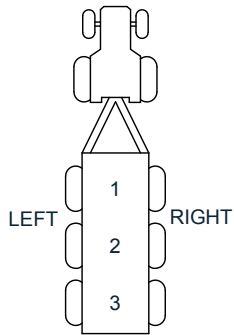
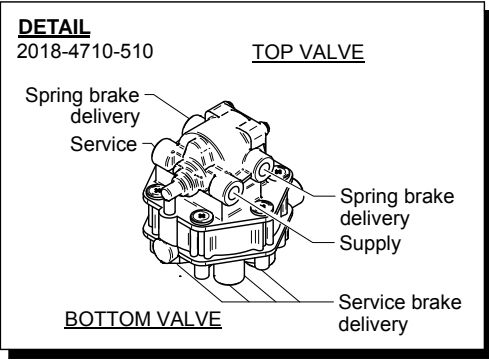




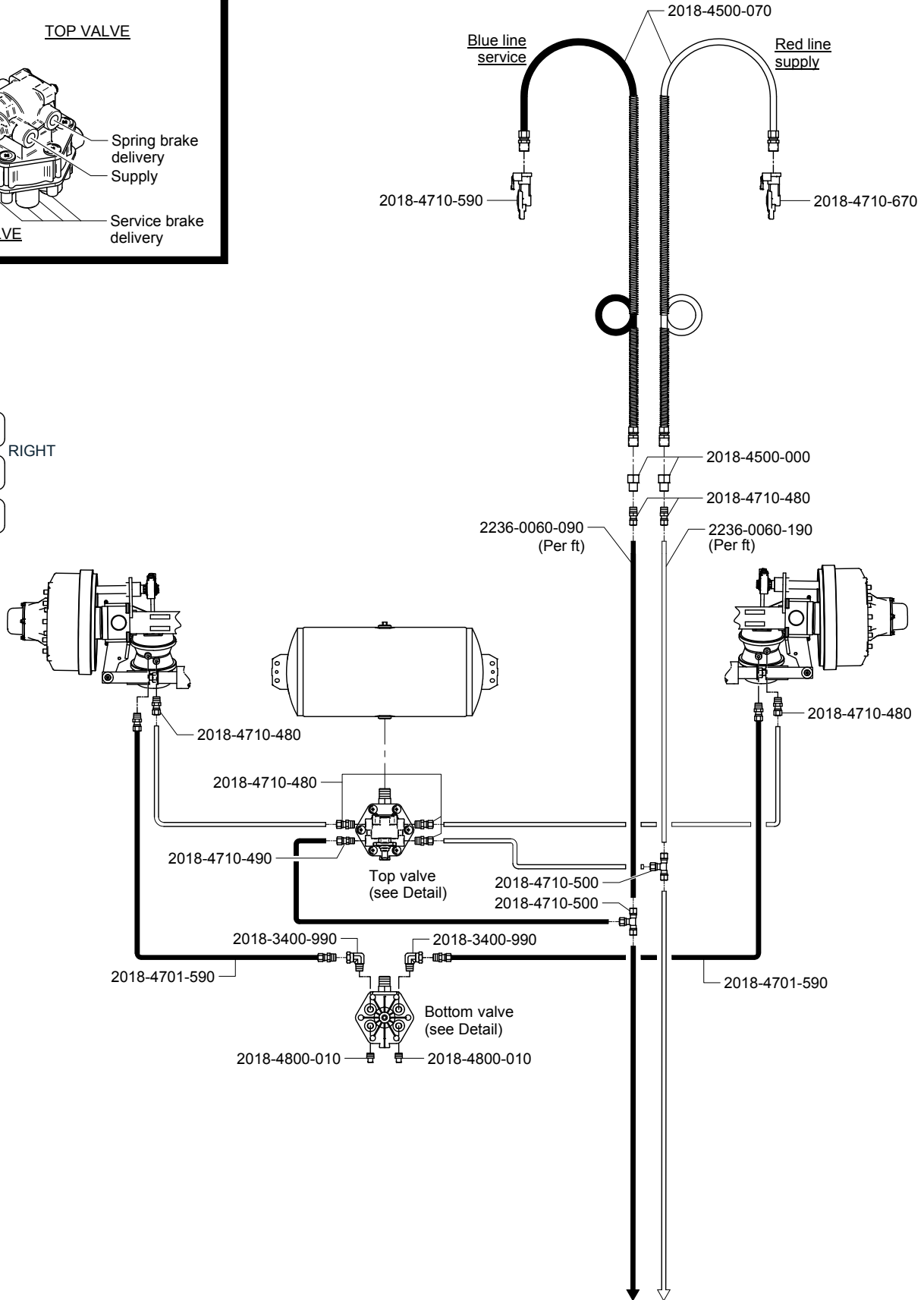
Axle 1

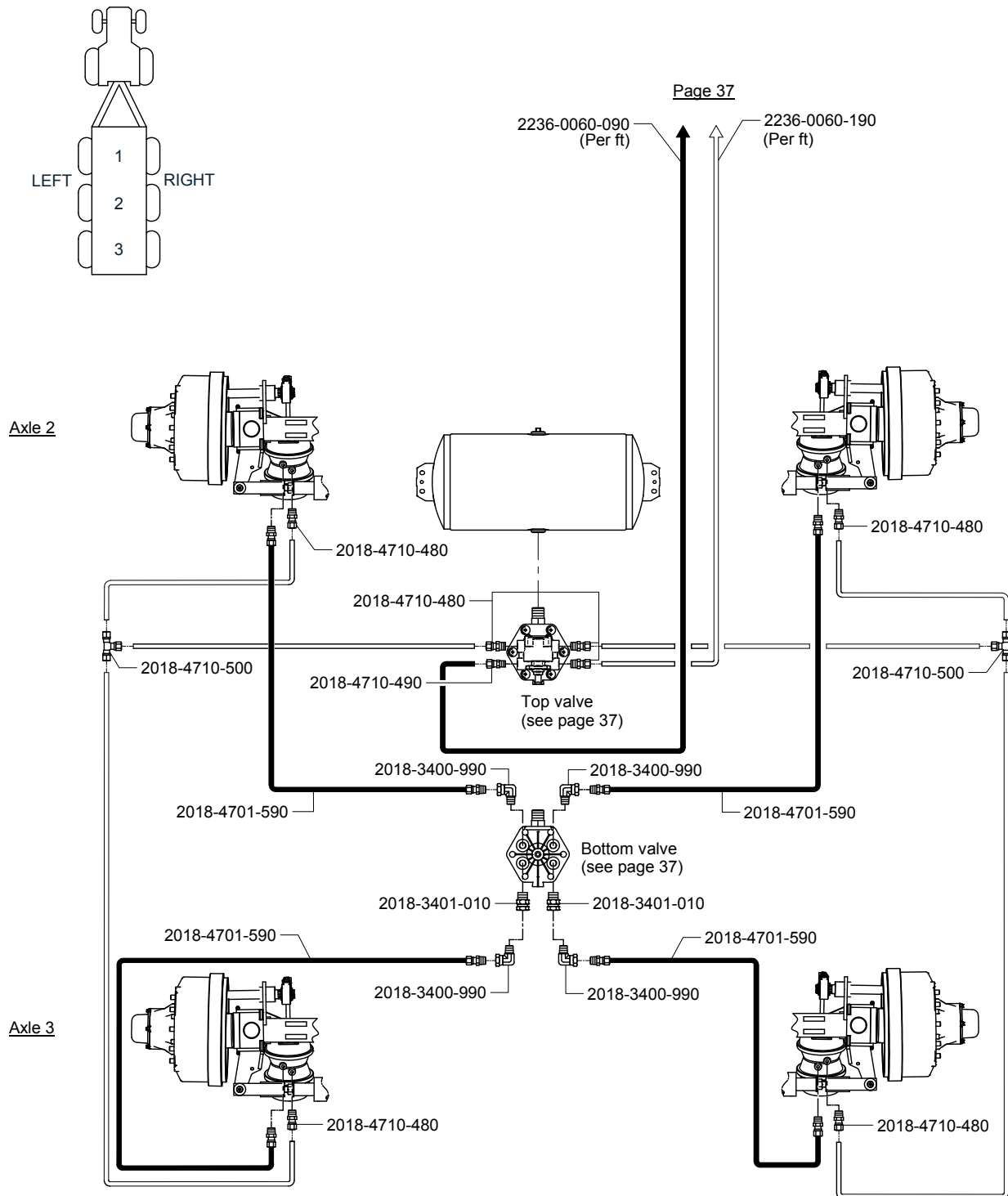
Axle 2

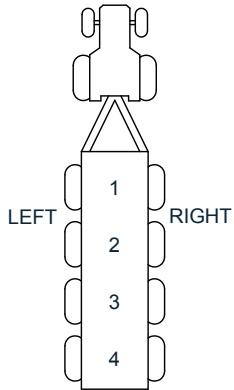
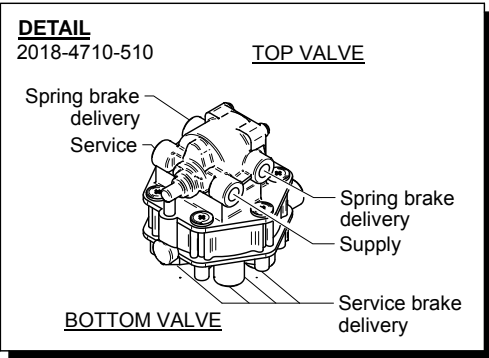




Axle 1

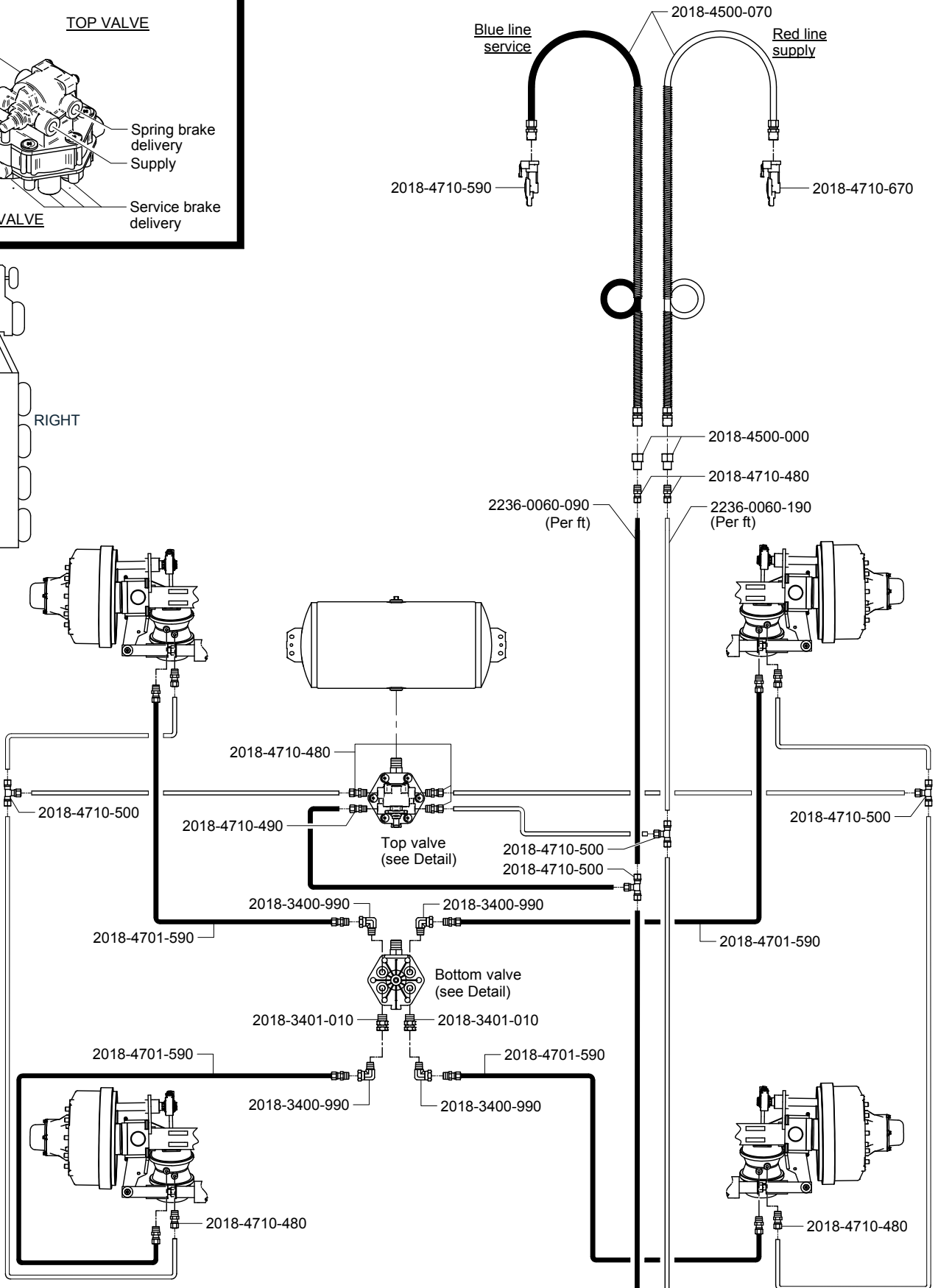


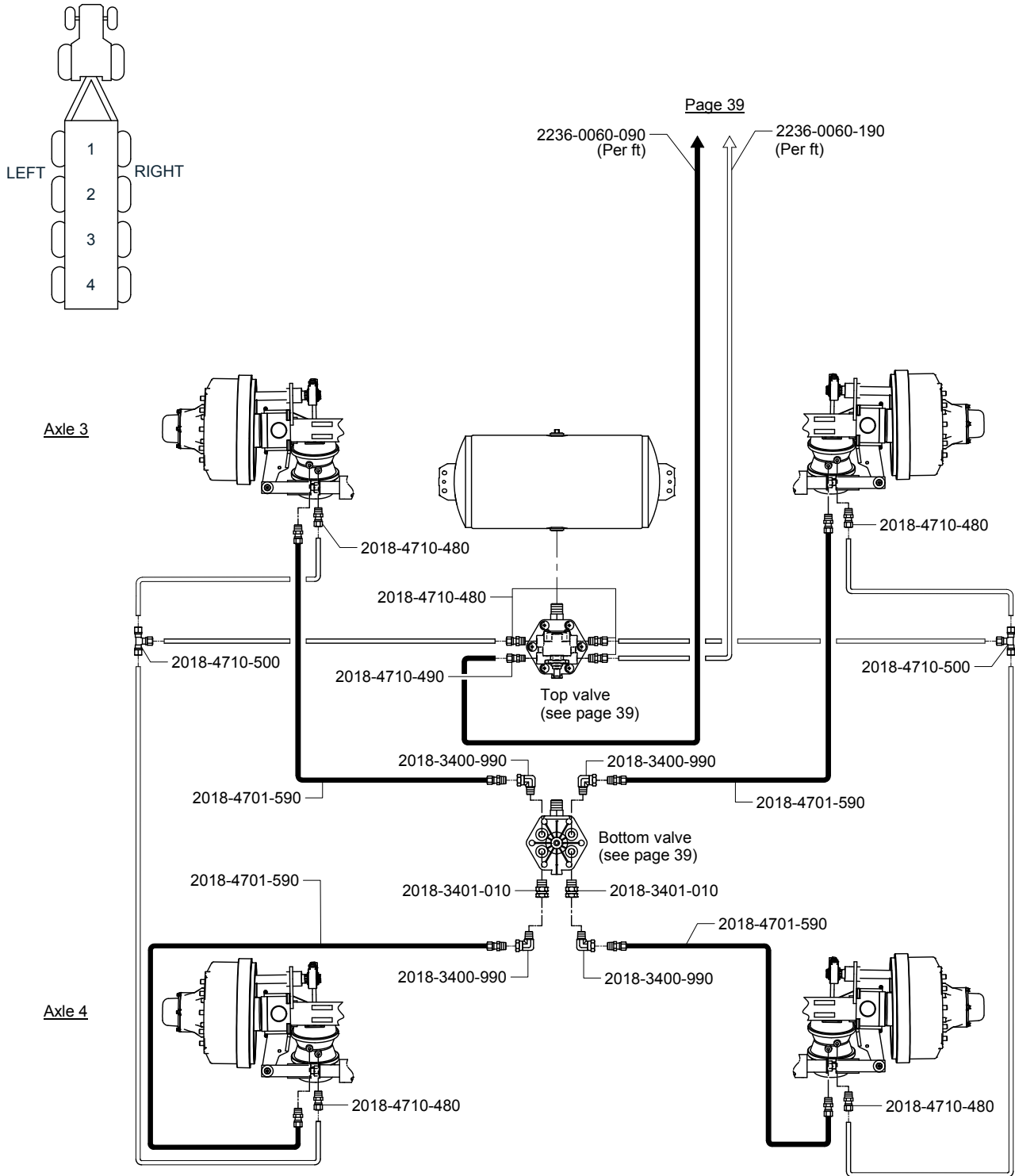


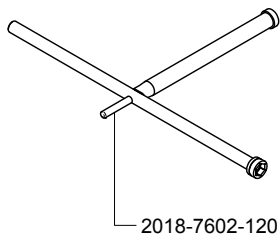
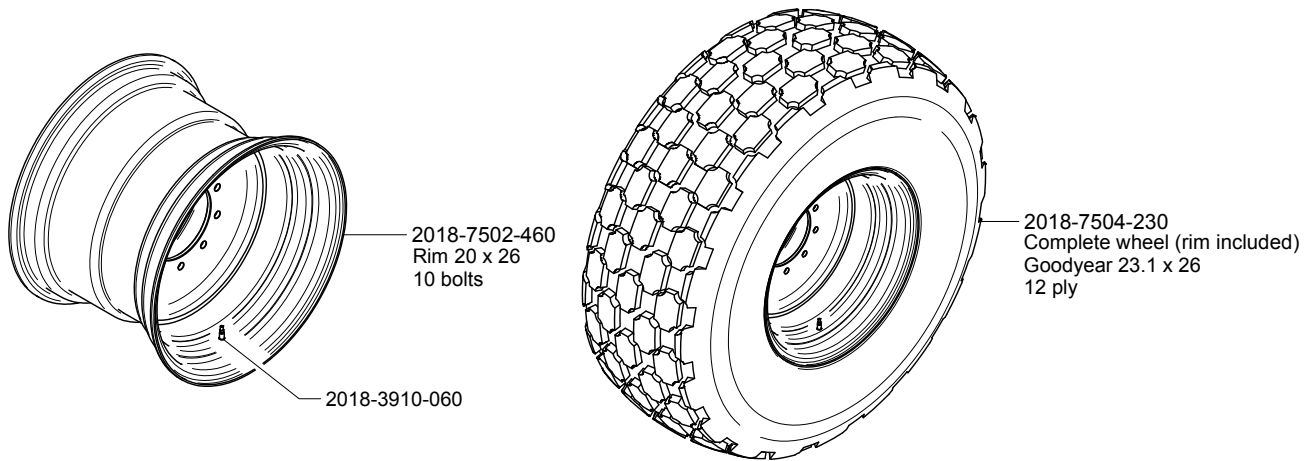


Axle 1

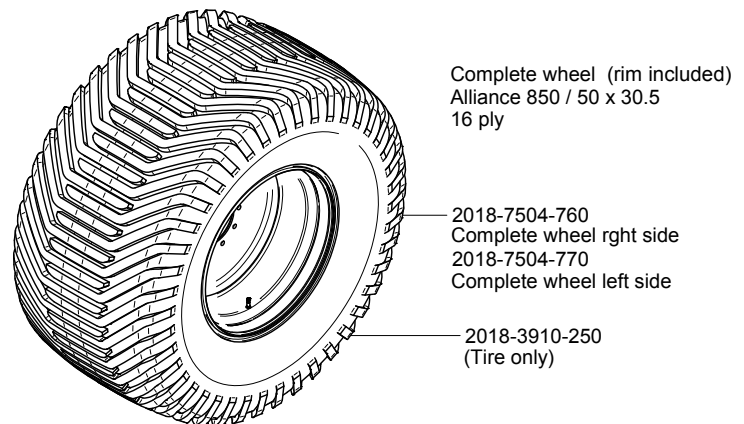
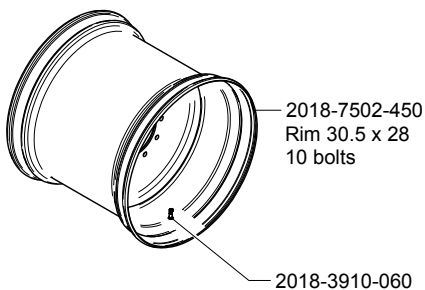
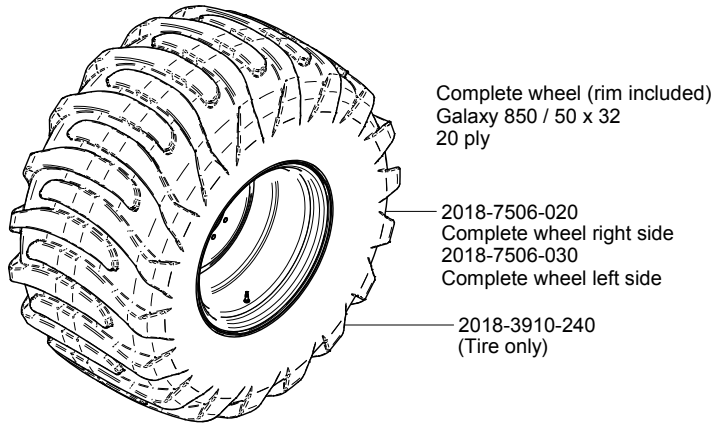
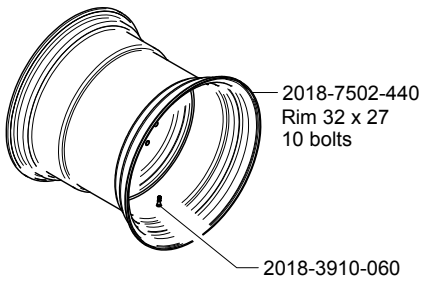
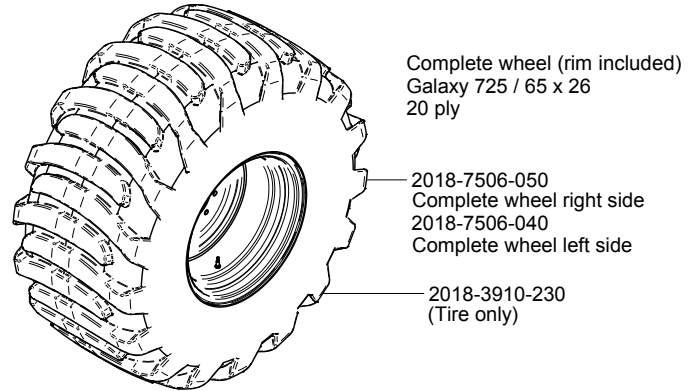
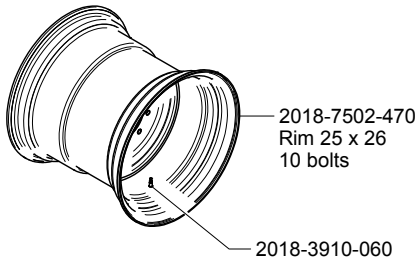
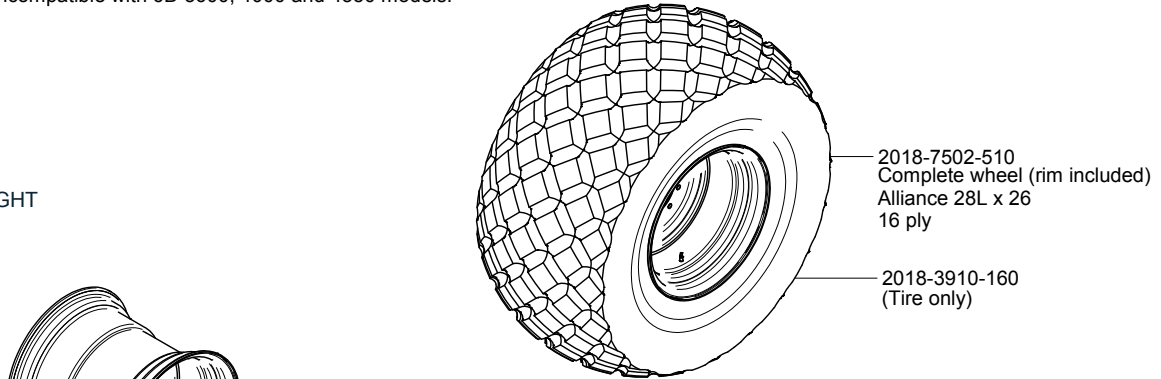
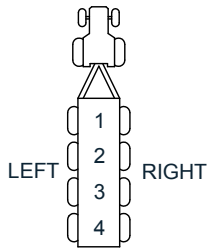
Axle 2



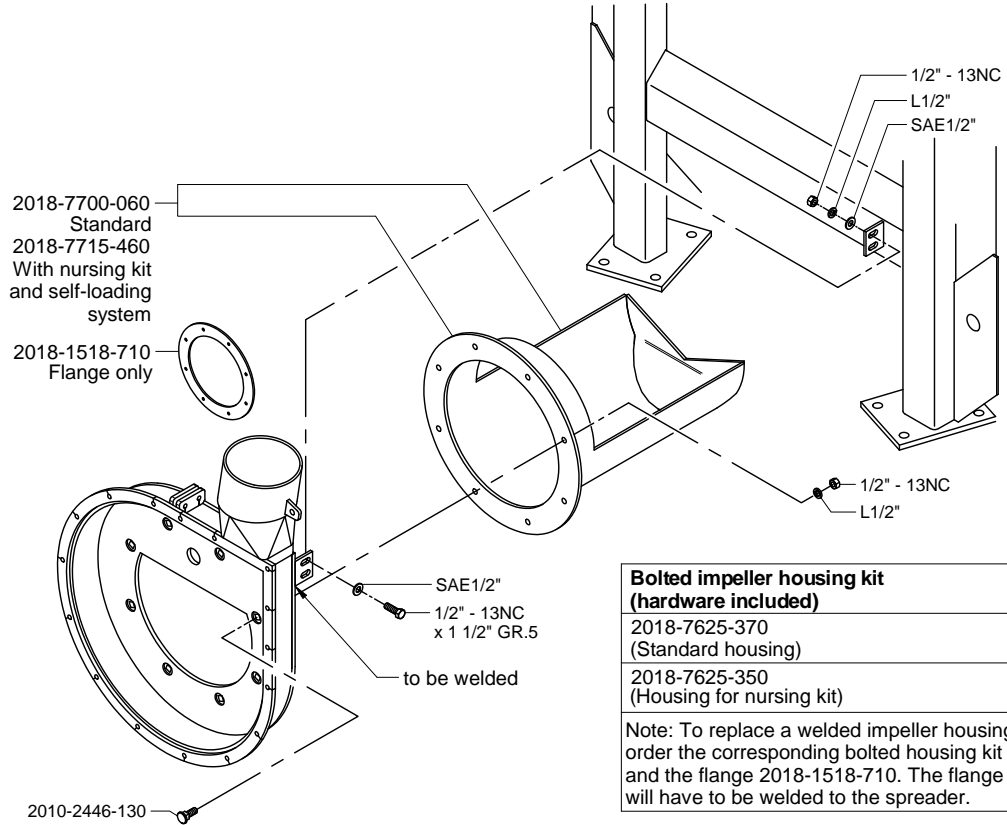




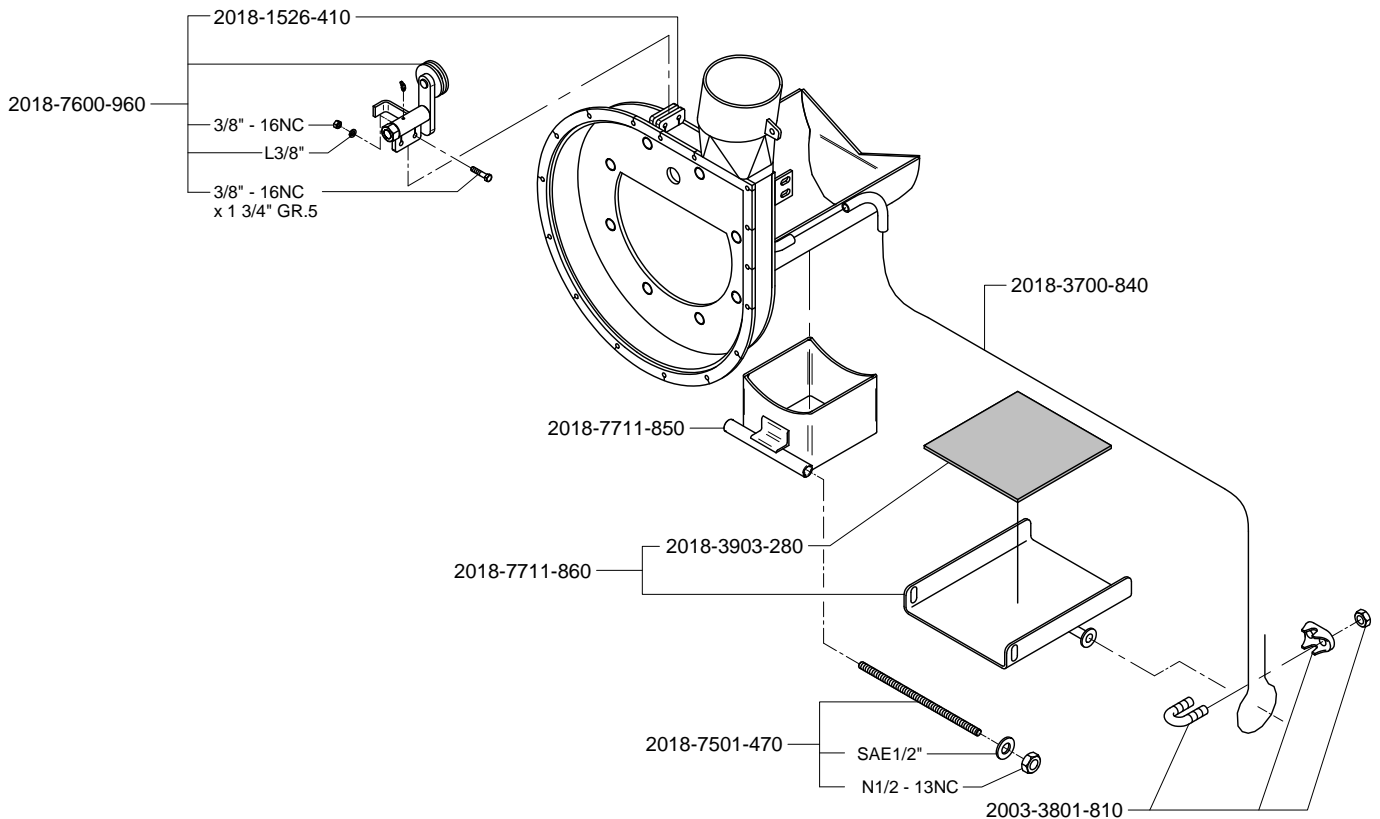
NOTE: Heavy-duty axle is mandatory with 850/50 tire.
850/50 tire is incompatible with 6D 3600, 4000 and 4350 models.



IMPELLER HOUSING, INTAKE AND FRONT DRAIN STANDARD

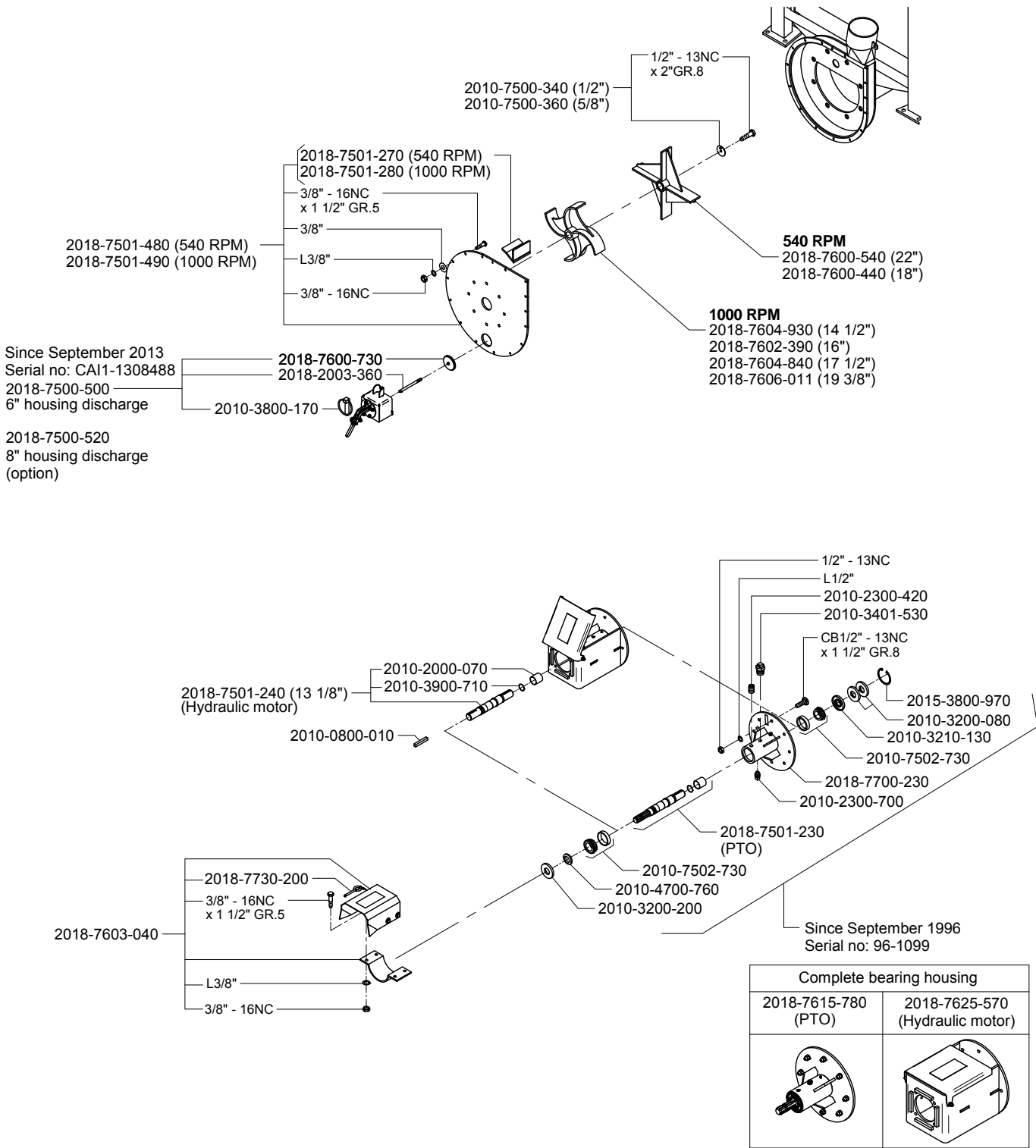


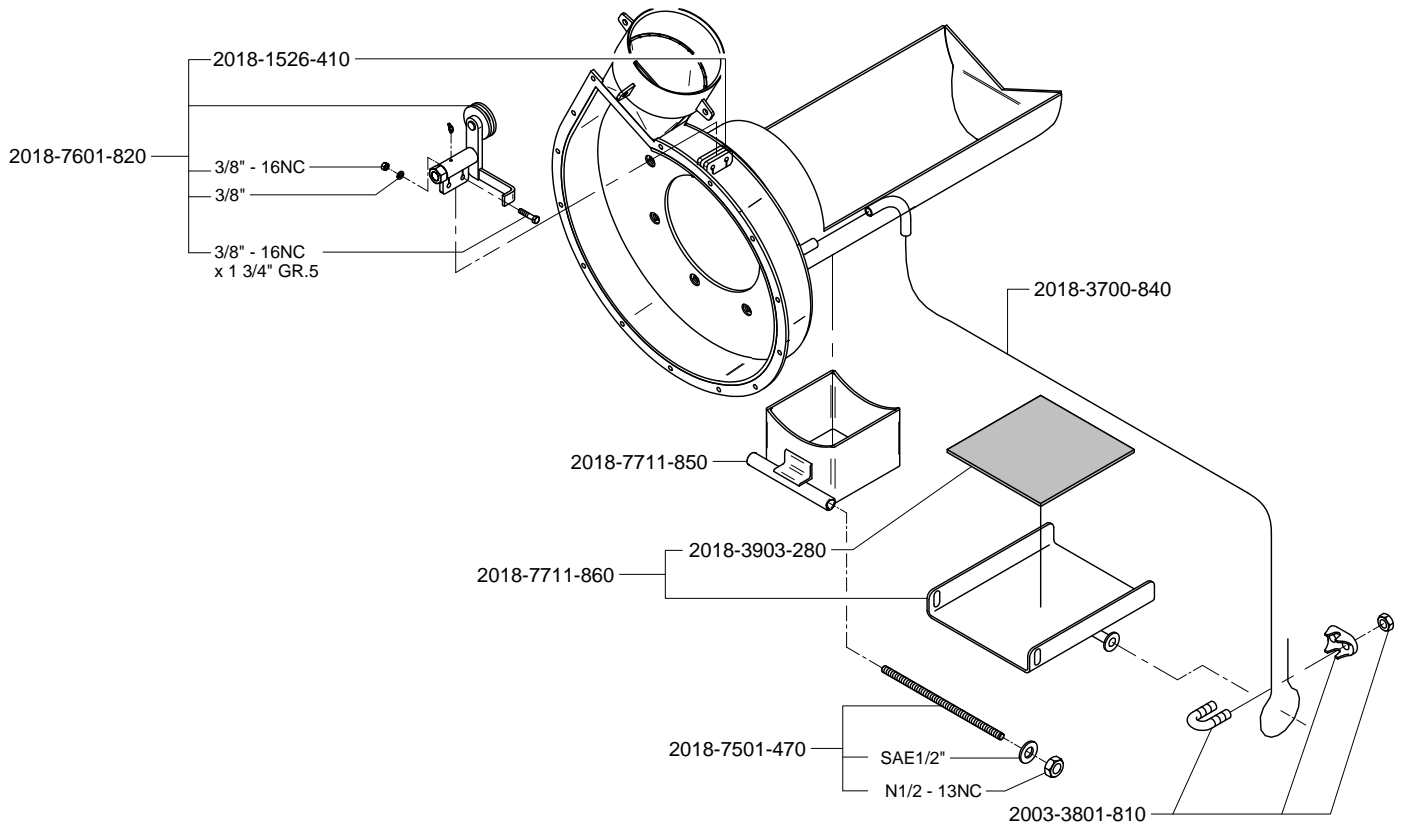
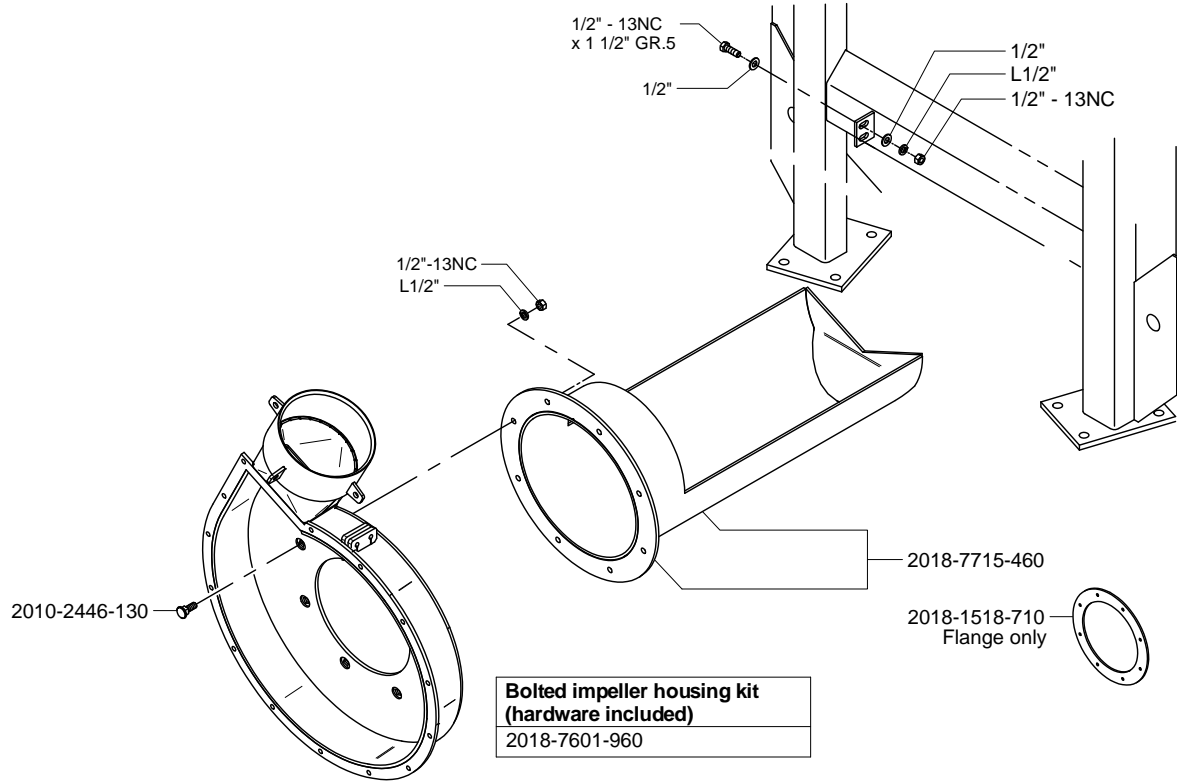
Bolted impeller housing kit (hardware included)
2018-7625-370 (Standard housing)
2018-7625-350 (Housing for nursing kit)
Note: To replace a welded impeller housing, order the corresponding bolted housing kit and the flange 2018-1518-710. The flange will have to be welded to the spreader.



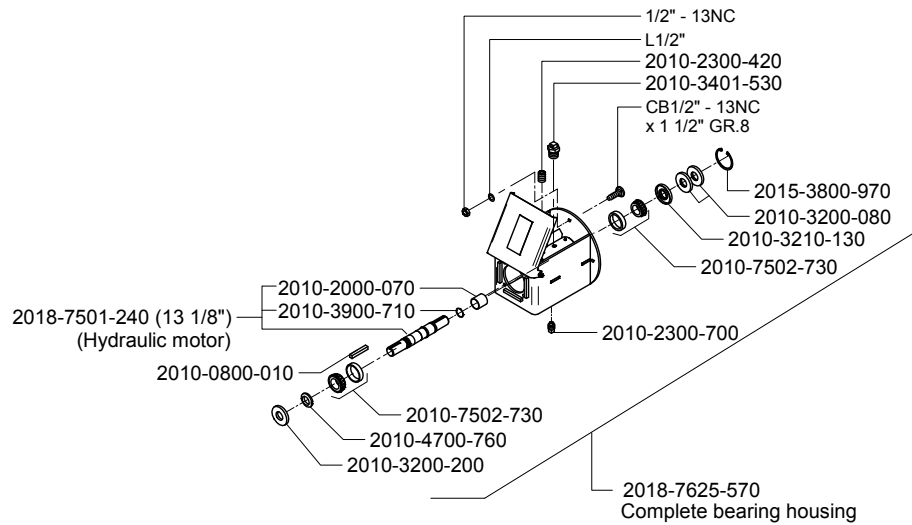
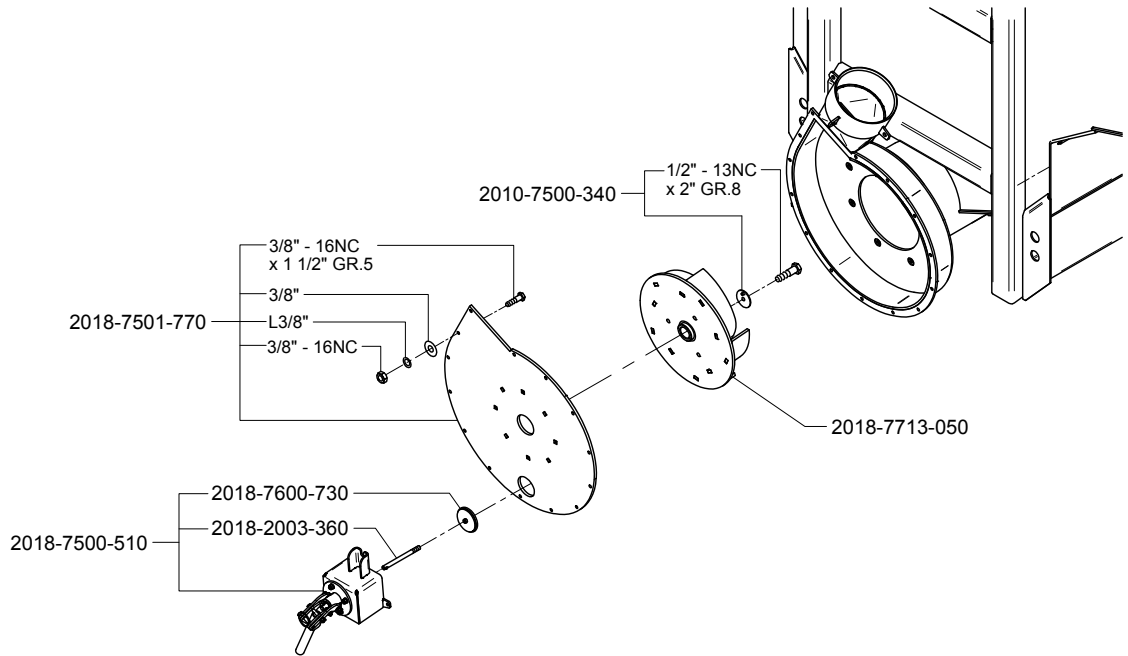
LIQUID MANURE SPREADER - EL48

BEARING HOUSING, IMPELLER AND HOUSING COVER PLATE STANDARD

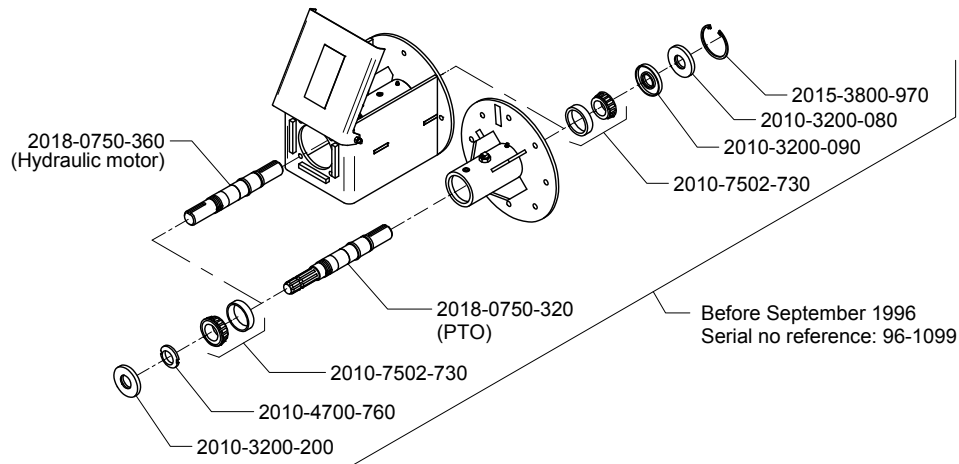
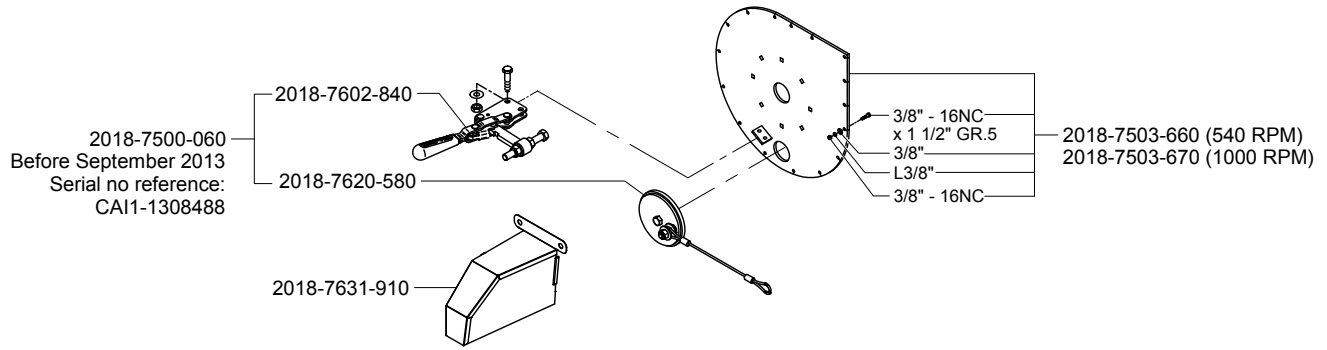


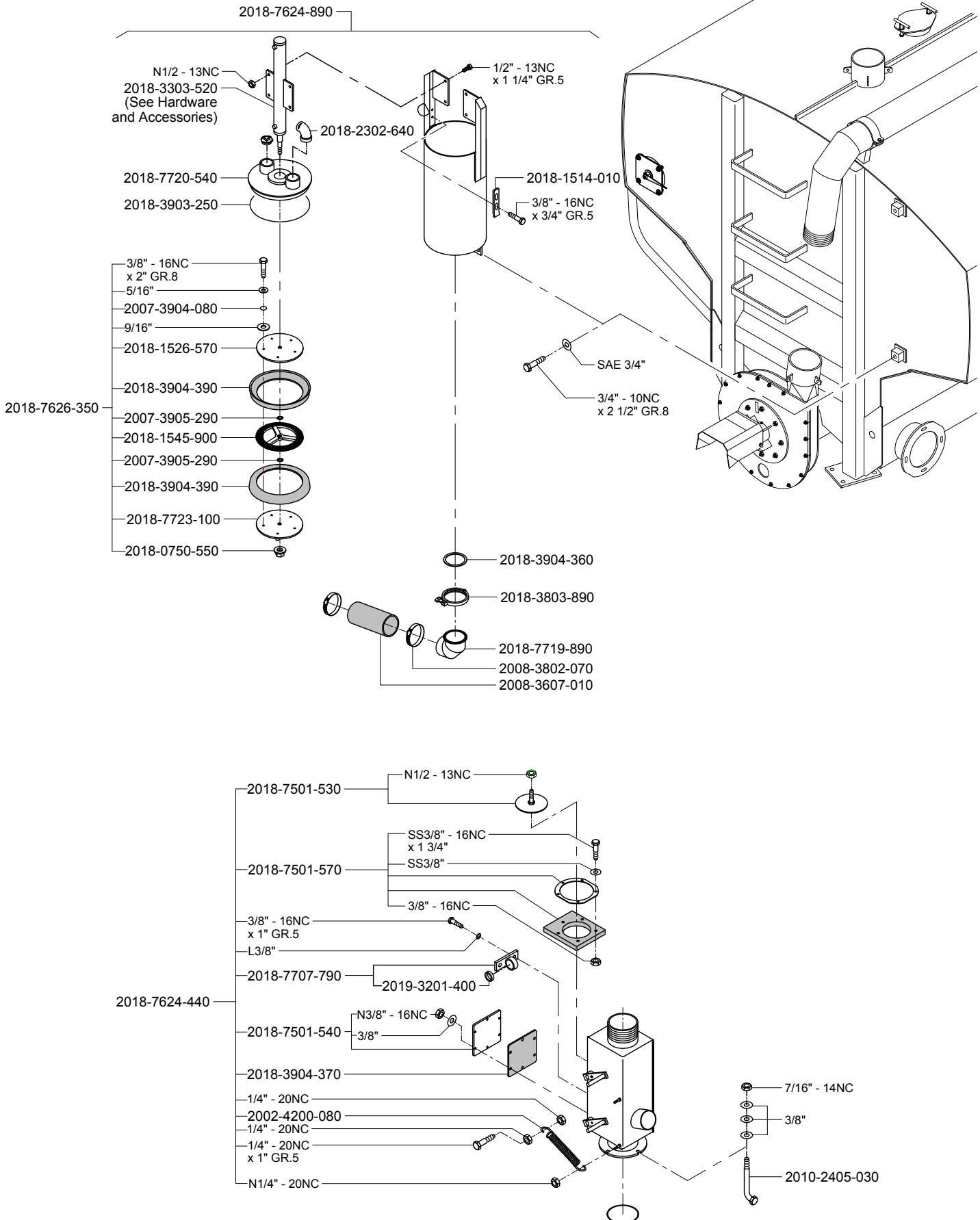


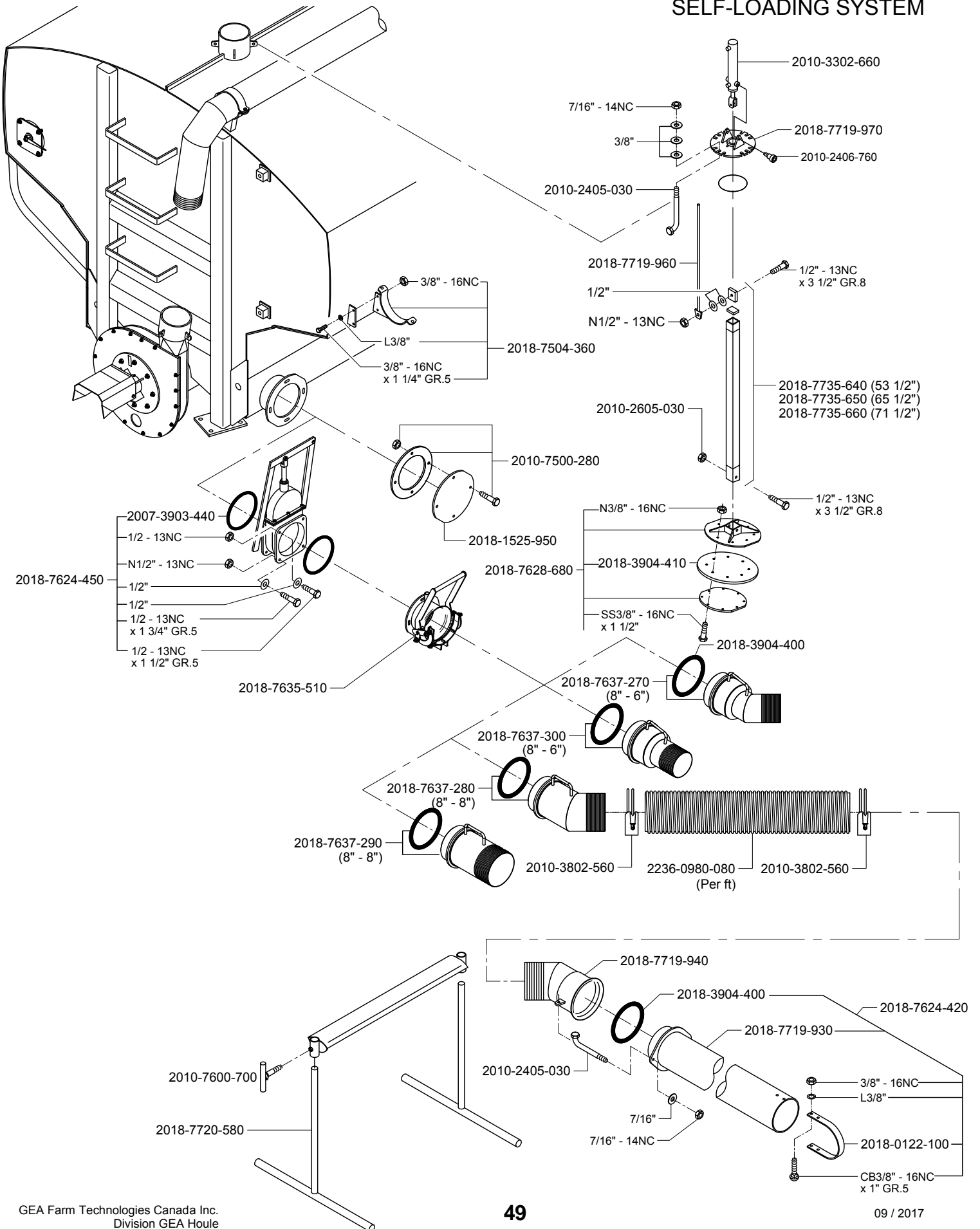
BEARING HOUSING, IMPELLER, AND HOUSING COVER PLATE HE

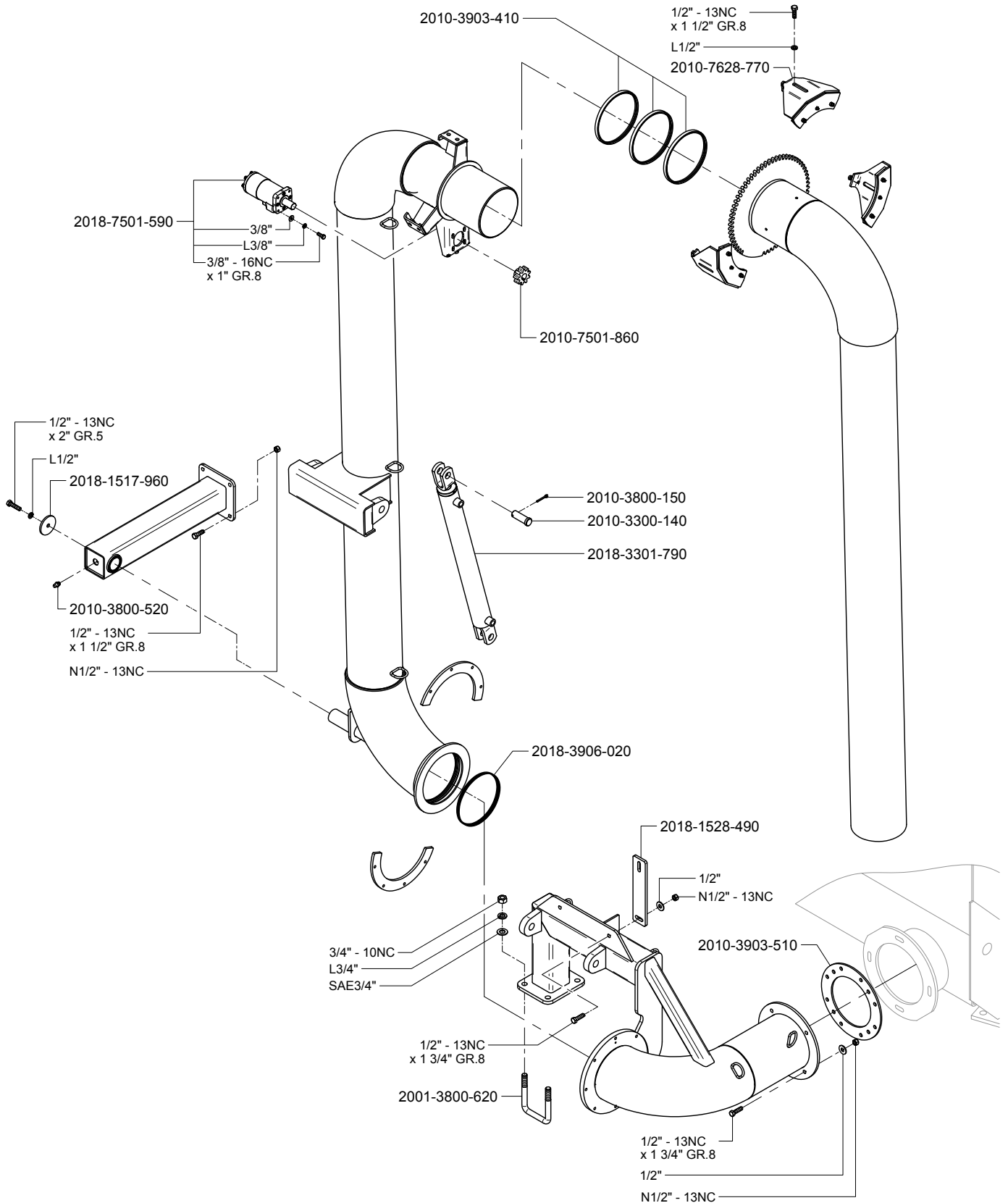


**BEARING HOUSING, PLUG AND HOUSING COVER PLATE
(OLD MODEL)**

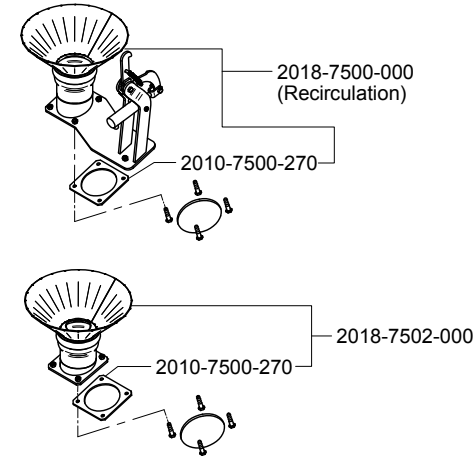








Note: For hydraulic cylinder or motor seal kit replacement, refer to Hardware & Accessories.



Nursing kit manufactured since April 2014

New motor and new hoses
 2018-7501-590
 Bolts included
 2018-7602-110
 2010-3400-080

Hydraulic hoses
 Ø1/4" X
 -3/8 NPT - 1/4 NPT-
 Male - Male

Nursing kit manufactured before April 2014

Old motor and old hoses

N/A
 Port: NPT
 2010-3400-680
 2018-7718-510

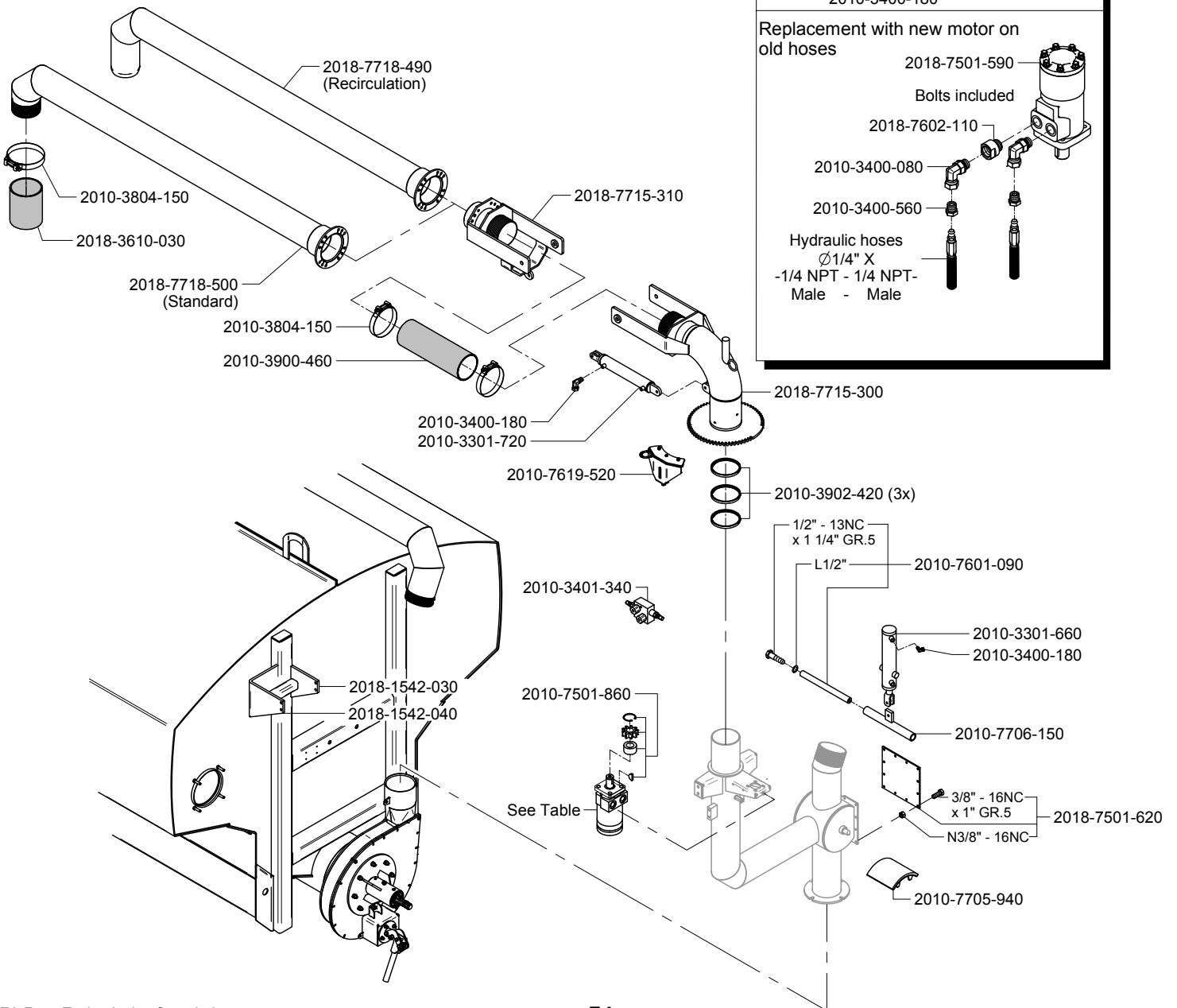
Hydraulic hoses
 Ø1/4" X
 -1/4 NPT - 1/4 NPT-
 Male - Male

2010-3400-180

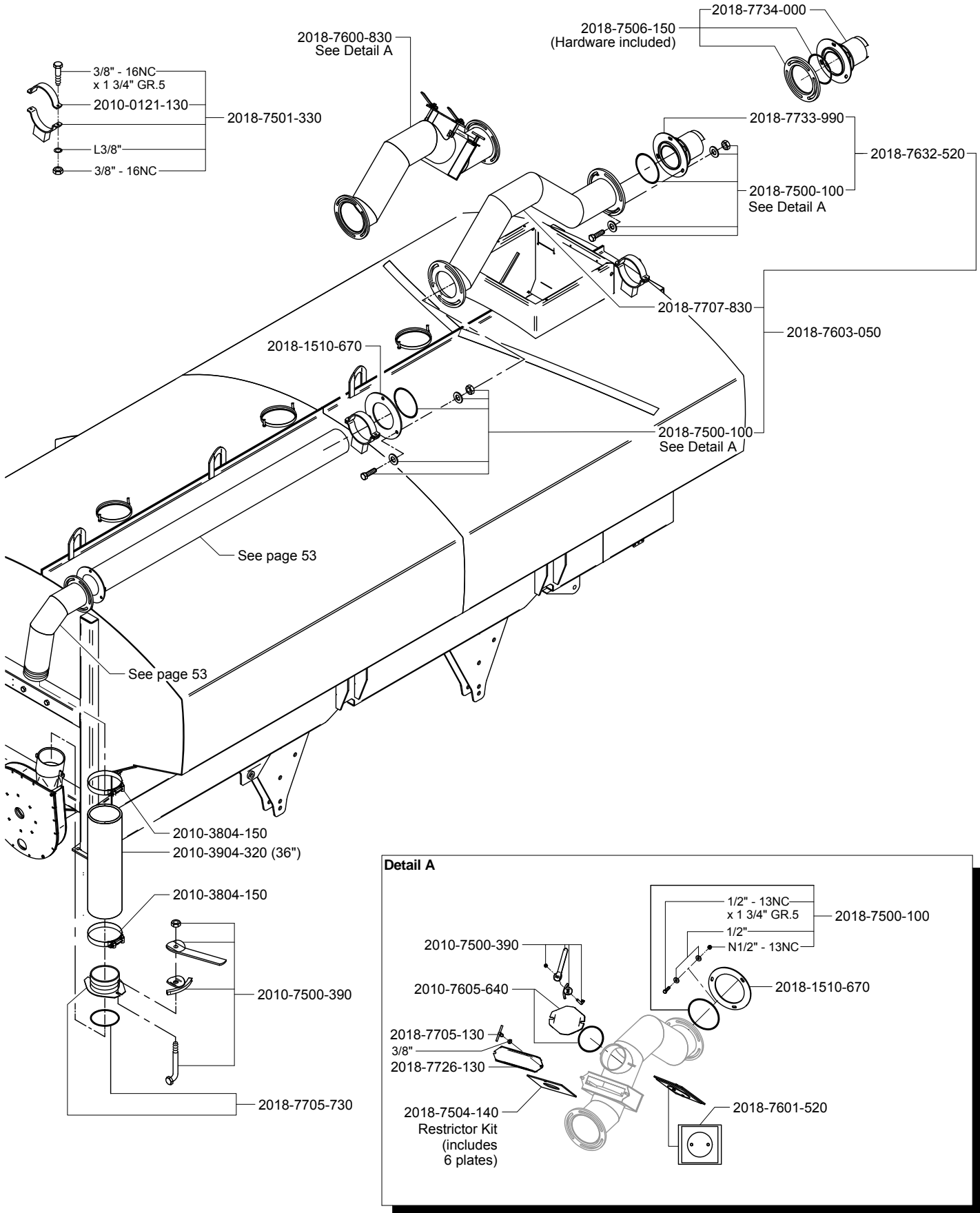
Replacement with new motor on old hoses



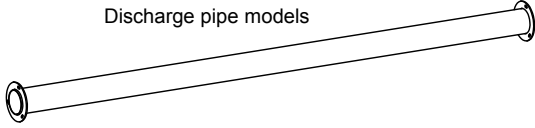
2018-7501-590
 Bolts included
 2018-7602-110
 2010-3400-080
 2010-3400-560

Hydraulic hoses
 Ø1/4" X
 -1/4 NPT - 1/4 NPT-
 Male - Male



DISCHARGE PIPE 6"

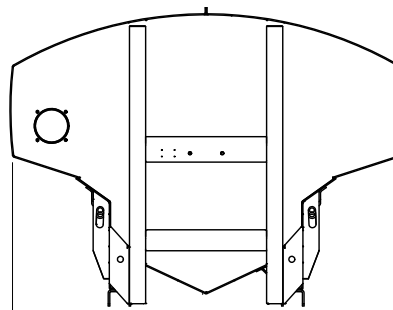


Elbow discharge pipe models				
Spreader model	Length	 6" elbow	 6" self-loading	 Discharge pipe models
EL48-4D-2850 (narrow)	16'	2018-7501-910	2018-7501-940	2018-7713-690
EL48-4D-3200	16'	2018-7501-910	2018-7501-940	2018-7713-690
EL48-4D-3200 (narrow)	18'	2018-7501-910	2018-7501-940	2018-7713-700
EL48-4D-3550 (narrow)	20'	2018-7501-910	2018-7501-940	2018-7713-710
EL48-4D-3600	18'	2018-7501-910	2018-7501-940	2018-7713-700
EL48-4D-4000	20'	2018-7501-910	2018-7501-940	2018-7713-710
EL48-4D-4000 (narrow)	20'	2018-7501-920	2018-7501-940	2018-7713-710
EL48-4D-4350	20'	2018-7501-920	2018-7501-940	2018-7713-710
EL48-4D-4400 (narrow)	22'	2018-7501-920	2018-7501-940	2018-7713-720
EL48-6D-3550 (narrow)	20'	2018-7501-910	2018-7501-940	2018-7713-710
EL48-6D-3600	18'	2018-7501-910	2018-7501-940	2018-7713-700
EL48-6D-4000	20'	2018-7501-910	2018-7501-940	2018-7713-710
EL48-6D-4000 (narrow)	20'	2018-7501-920	2018-7501-940	2018-7713-710
EL48-6D-4350	20'	2018-7501-920	2018-7501-940	2018-7713-710
EL48-6D-4400 (narrow)	22'	2018-7501-910	2018-7501-940	2018-7713-720
EL48-6D-4800	22'	2018-7501-920	2018-7501-940	2018-7713-720
EL48-6D-4800 (narrow)	24'	2018-7501-920	2018-7501-940	2018-7713-730
EL48-6D-5250	24'	2018-7501-920	2018-7501-940	2018-7713-730
EL48-6D-5600 (narrow)	28'	2018-7501-920	2018-7501-940	2018-7713-750
EL48-6D-6000 (narrow)	30'	2018-7501-920	2018-7501-940	2018-7713-760
EL48-6D-6100	28'	2018-7501-920	2018-7501-940	2018-7713-750
EL48-6D-6900	28'	2018-7501-930	2018-7501-940	2018-7713-750
EL48-8D-7400	30'	2018-7501-930	2018-7501-940	2018-7713-760
EL48-8D-7900	32'	2018-7501-930	2018-7501-940	2018-7713-770
EL48-8D-8800	36'	2018-7501-930	2018-7501-940	2018-7713-780

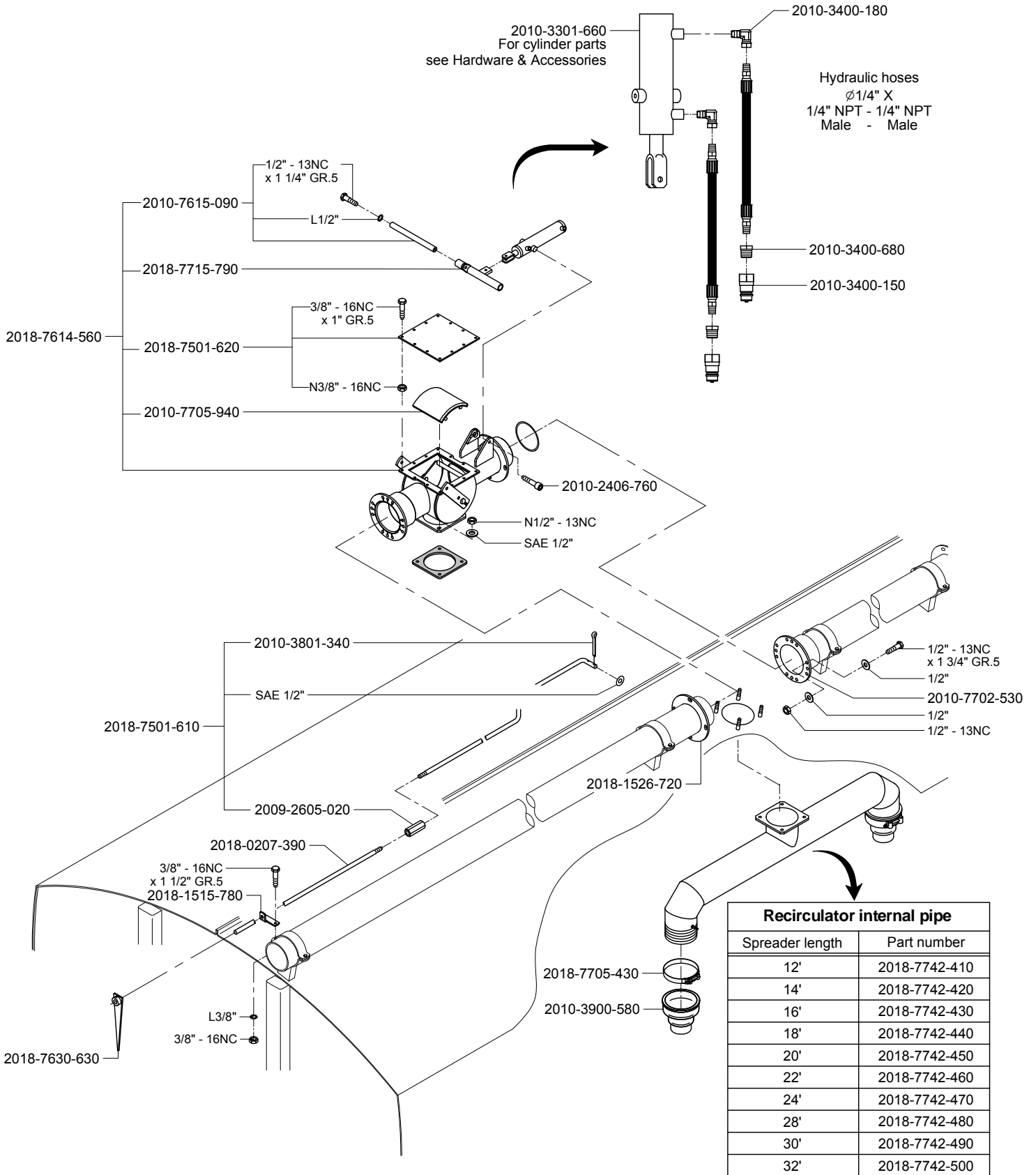


2018-1510-670
Note: flange to weld on existing pipe.

Detail

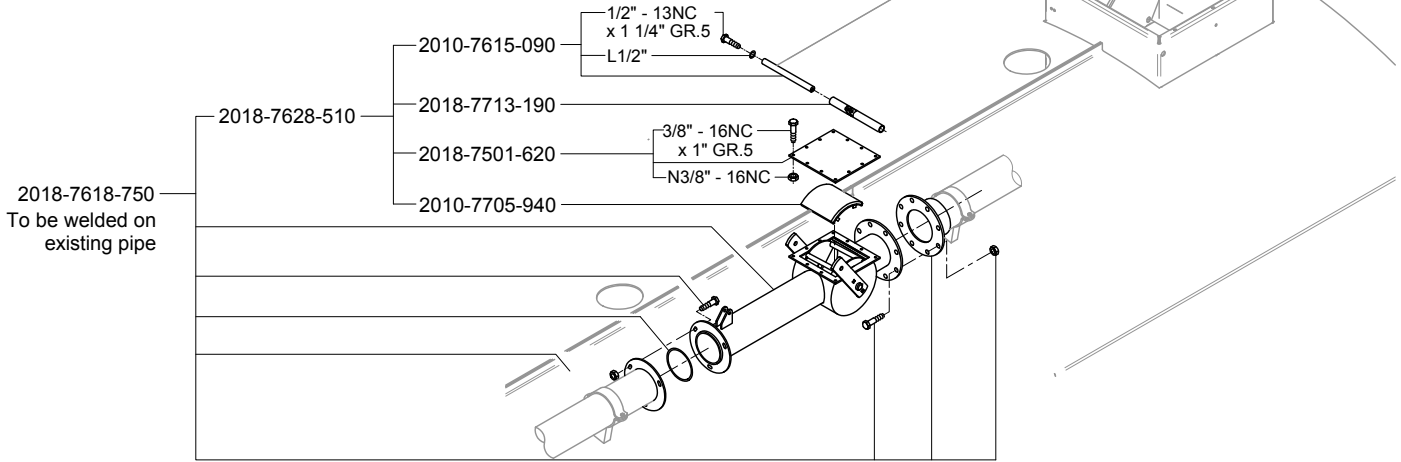


← standard spreader dimension: 96" →
← narrow spreader dimension: 85" →

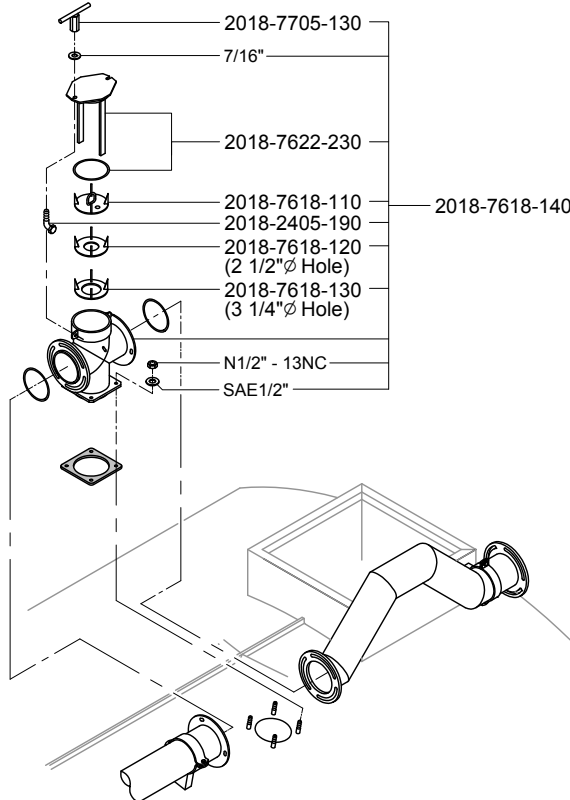


**ROTATIVE VALVE FOR ACTUATOR AND
CROSS-SHAPED ADAPTER WITH FLOW RESTRICTOR
FOR 6" DISCHARGE PIPE**

Rotative valve - Actuator

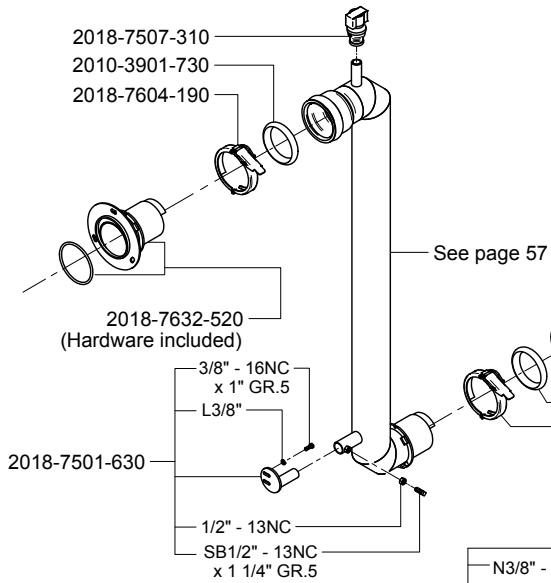


**Cross-shaped adapter
with flow restrictor**

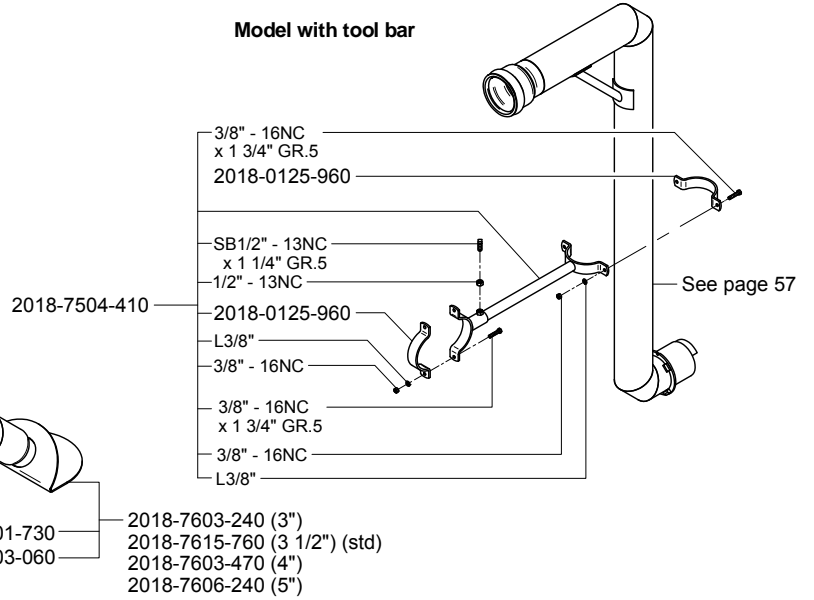


SPREADING NOZZLE AND DIRECTIONAL VALVE FOR 6" DISCHARGE PIPE

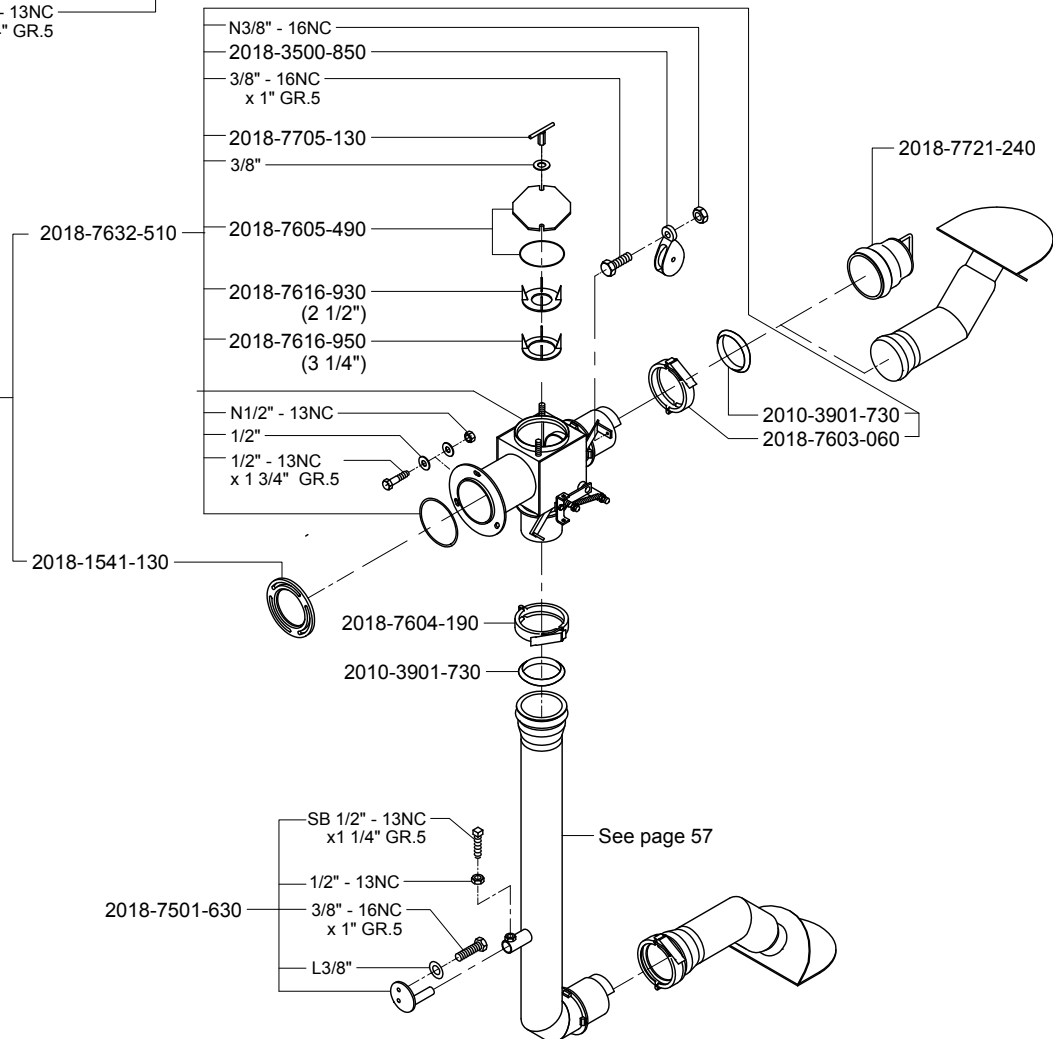
Model without valve



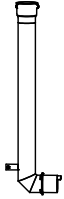
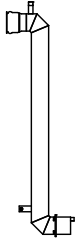
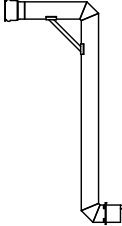
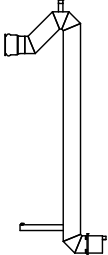
Model with tool bar

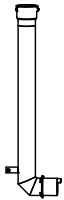
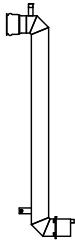
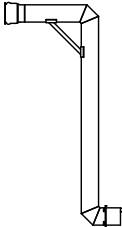


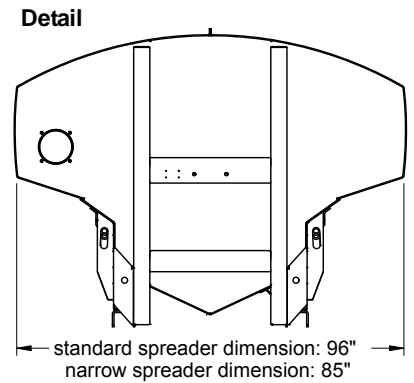
Model with valve

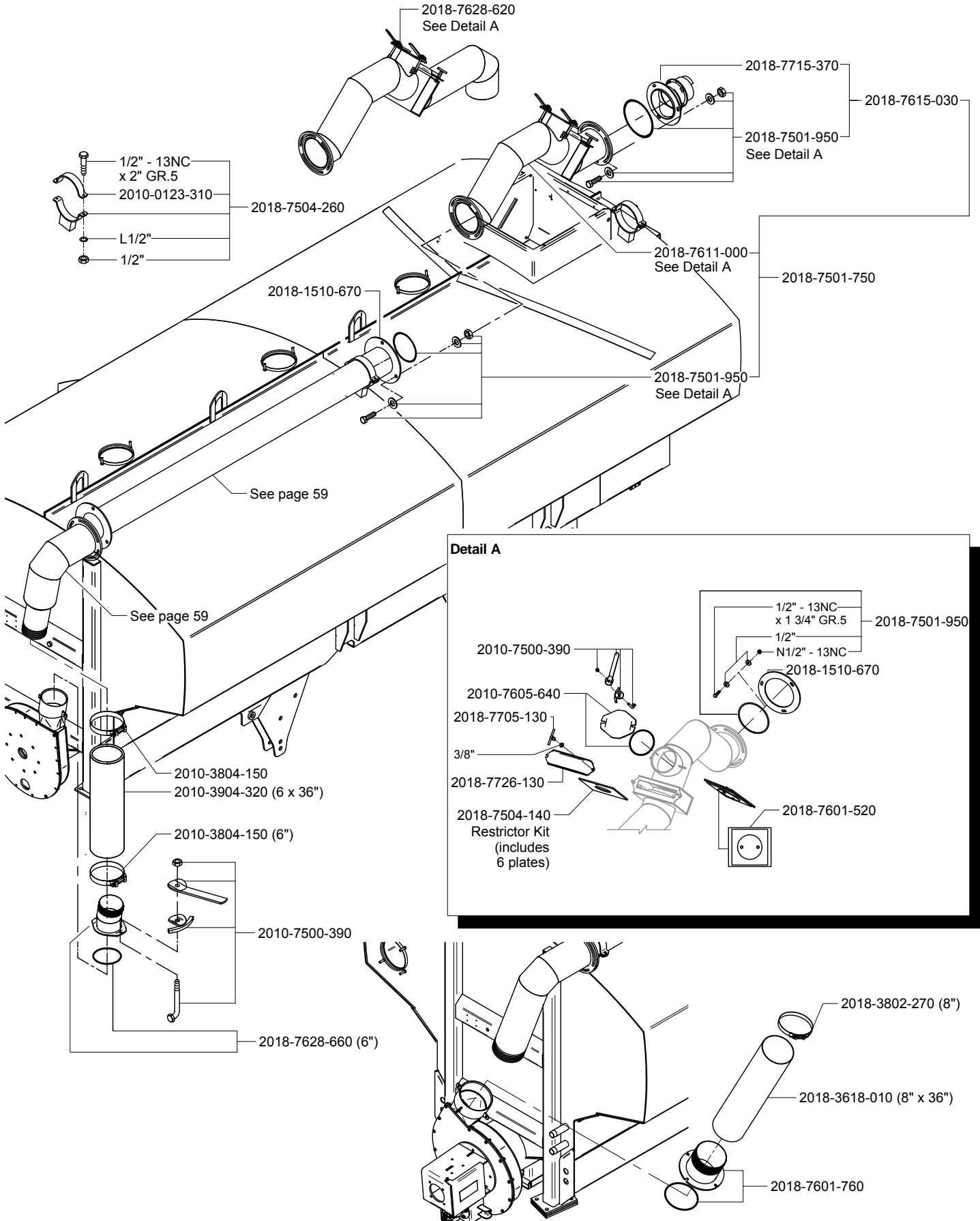



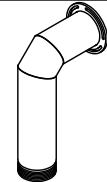
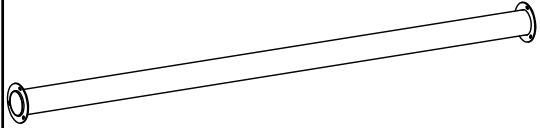
**SPREADING NOZZLE PIPE CHART
FOR 6" DISCHARGE PIPE**

STANDARD MODEL (See Detail)							
Spreader model	Gallon (UK)	Gallon (US)	Liter	With valve 	Without valve 	With tool bar 	Incorporated anti-syphon 
EL48-4D-3200	3200	3850	14550	2018-7601-040	2018-7601-100	2018-7601-150	2018-7601-330
EL48-4D-3600	3600	4300	16350				
EL48-4D-4000	4000	4800	18200				
EL48-4D-4350	4350	5250	19750				
EL48-6D-3600	3600	4300	16350	2018-7601-370	2018-7601-360	2018-7601-350	2018-7601-340
EL48-6D-4000	4000	4800	18200				
EL48-6D-4350	4350	5250	19750				
EL48-6D-4800	4800	5800	21800				
EL48-6D-5250	5250	6300	23850	2018-7601-370	2018-7601-360	2018-7601-350	2018-7601-340
EL48-6D-6100	6100	7300	27750				
EL48-8D-7400	7400	8900	33650	2018-7601-060	2018-7601-110	2018-7601-170	2018-7601-390
EL48-8D-7900	7900	9500	35900				

NARROW MODEL (See Detail)						
Spreader model	Gallon (UK)	Gallon (US)	Liter	With valve 	Without valve 	With tool bar 
EL48-4D-2850	2850	3400	12850	2018-7601-040	2018-7601-100	2018-7601-150
EL48-4D-3200	3200	3850	14500			
EL48-4D-3550	3550	4250	16100			
EL48-4D-4000	4000	4800	18200			
EL48-4D-4400	4400	5280	20000			
EL48-6D-3550	3550	4250	16100	2018-7601-370	2018-7601-360	2018-7601-350
EL48-6D-4000	4000	4800	18200			
EL48-6D-4400	4400	5280	20000			
EL48-6D-4800	4800	5800	21800			
EL48-6D-5600	5600	6700	25450			
EL48-6D-6000	6000	7200	27300			



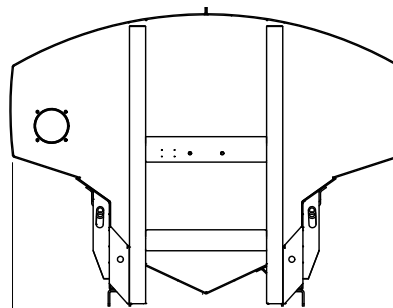


Elbow discharge pipe models				
Spreader model	Length	 8" option or 38' tow-bar	 HE impeller	 Discharge pipe models
EL48-4D-2850 (narrow)	16'	2018-7501-960	na.	2018-7713-400
EL48-4D-3200	16'	2018-7501-960	na.	2018-7713-400
EL48-4D-3200 (narrow)	18'	2018-7501-960	na.	2018-7713-410
EL48-4D-3550 (narrow)	20'	2018-7501-960	na.	2018-7713-420
EL48-4D-3600	18'	2018-7501-960	2018-7501-990	2018-7713-410
EL48-4D-4000	20'	2018-7501-960	na.	2018-7713-420
EL48-4D-4000 (narrow)	20'	2018-7501-970	2018-7501-200	2018-7713-420
EL48-4D-4350	20'	2018-7501-970	na.	2018-7713-420
EL48-4D-4400 (narrow)	22'	2018-7501-970	2018-7501-200	2018-7713-430
EL48-6D-3550 (narrow)	20'	2018-7601-360	na.	2018-7713-420
EL48-6D-3600	18'	2018-7601-360	na.	2018-7713-410
EL48-6D-4000	20'	2018-7501-960	na.	2018-7713-420
EL48-6D-4000 (narrow)	20'	2018-7501-970	na.	2018-7713-420
EL48-6D-4350	20'	2018-7501-970	na.	2018-7713-420
EL48-6D-4400 (narrow)	22'	2018-7501-960	2018-7501-200	2018-7713-430
EL48-6D-4800	22'	2018-7501-970	na.	2018-7713-430
EL48-6D-4800 (narrow)	24'	2018-7501-970	2018-7501-200	2018-7713-440
EL48-6D-5250	24'	2018-7501-970	2018-7501-200	2018-7713-440
EL48-6D-5600 (narrow)	28'	2018-7501-970	2018-7501-200	2018-7713-450
EL48-6D-6000 (narrow)	30'	2018-7501-970	2018-7501-200	2018-7713-460
EL48-6D-6100	28'	2018-7501-970	2018-7501-200	2018-7713-450
EL48-6D-6900	28'	2018-7501-980	na.	2018-7713-450
EL48-8D-7400	30'	2018-7501-980	na.	2018-7713-460
EL48-8D-7900	32'	2018-7501-980	2018-7501-210	2018-7713-470
EL48-8D-8800	36'	2018-7501-980	2018-7501-210	2018-7713-480

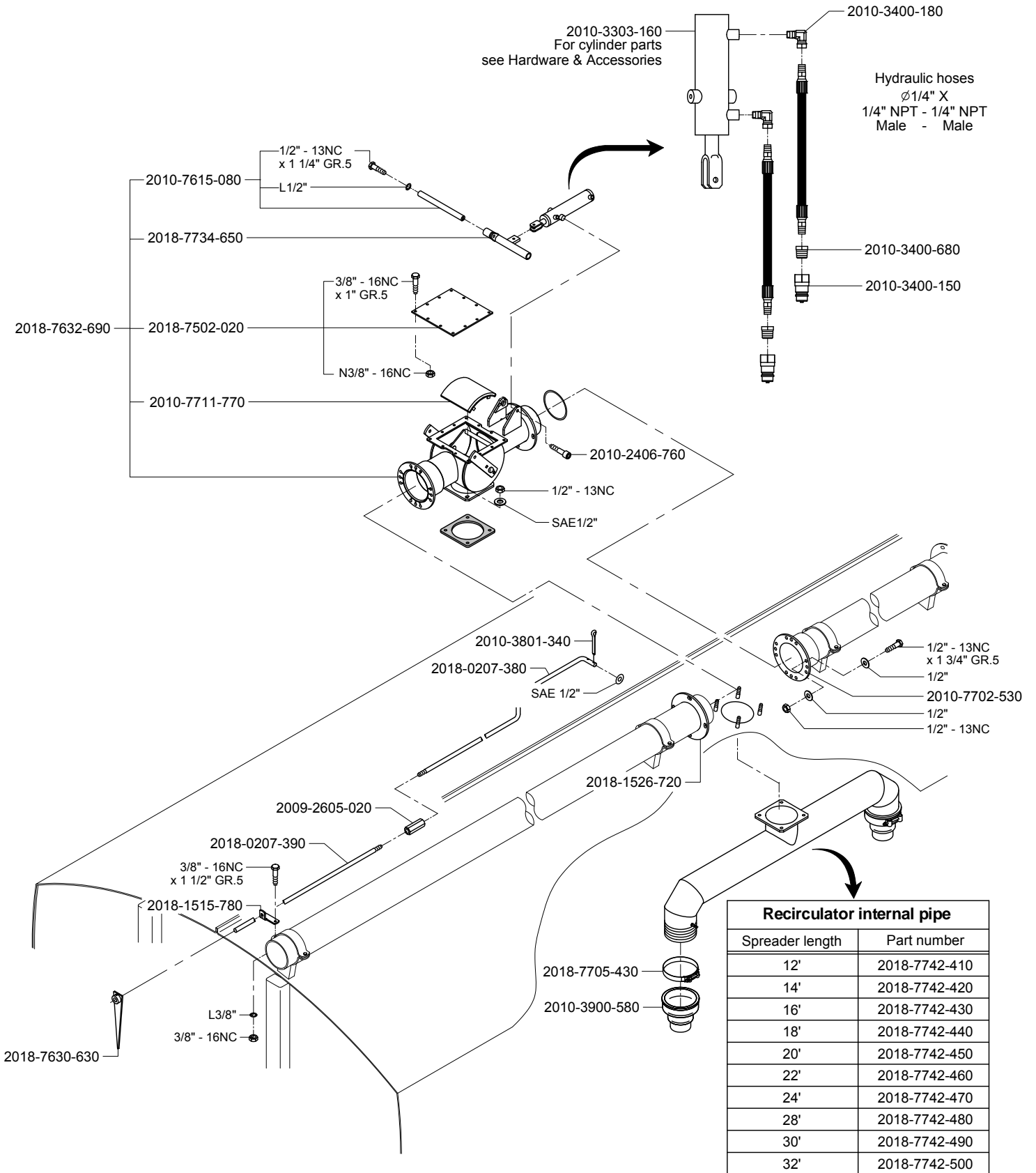


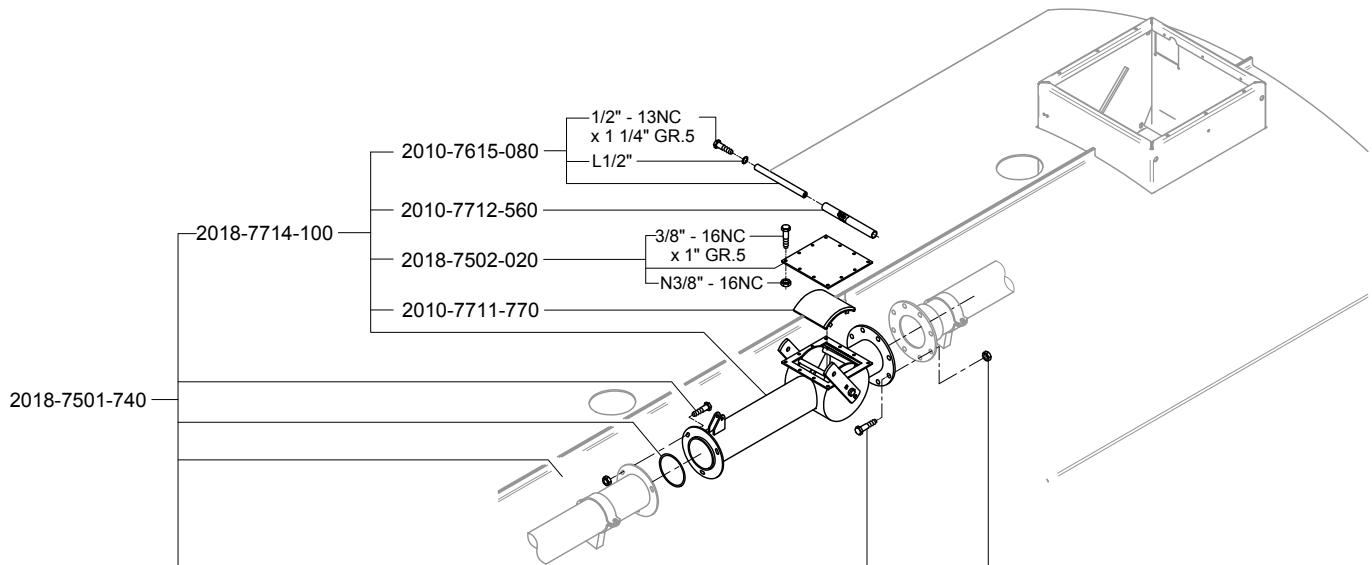
2018-1515-510
Note: flange to weld on existing pipe.

Detail



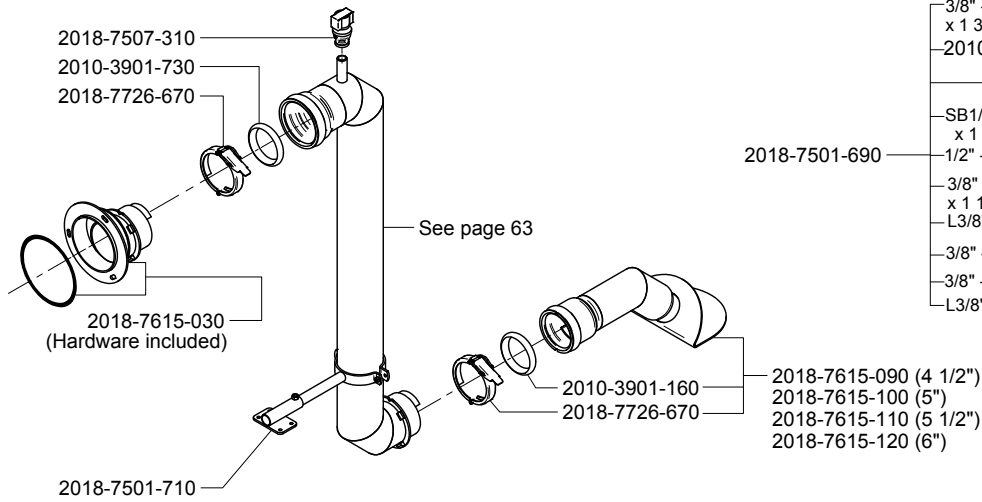
← standard spreader dimension: 96" →
← narrow spreader dimension: 85" →



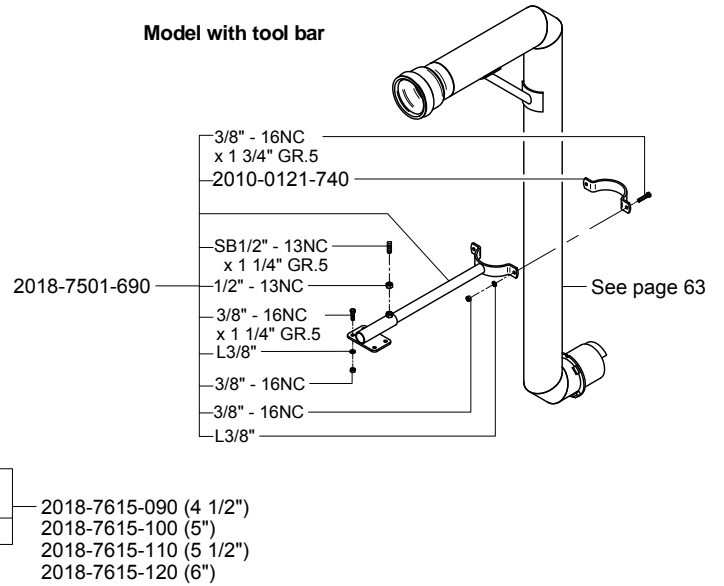


SPREADING NOZZLE AND DIRECTIONAL VALVE FOR 8" DISCHARGE PIPE

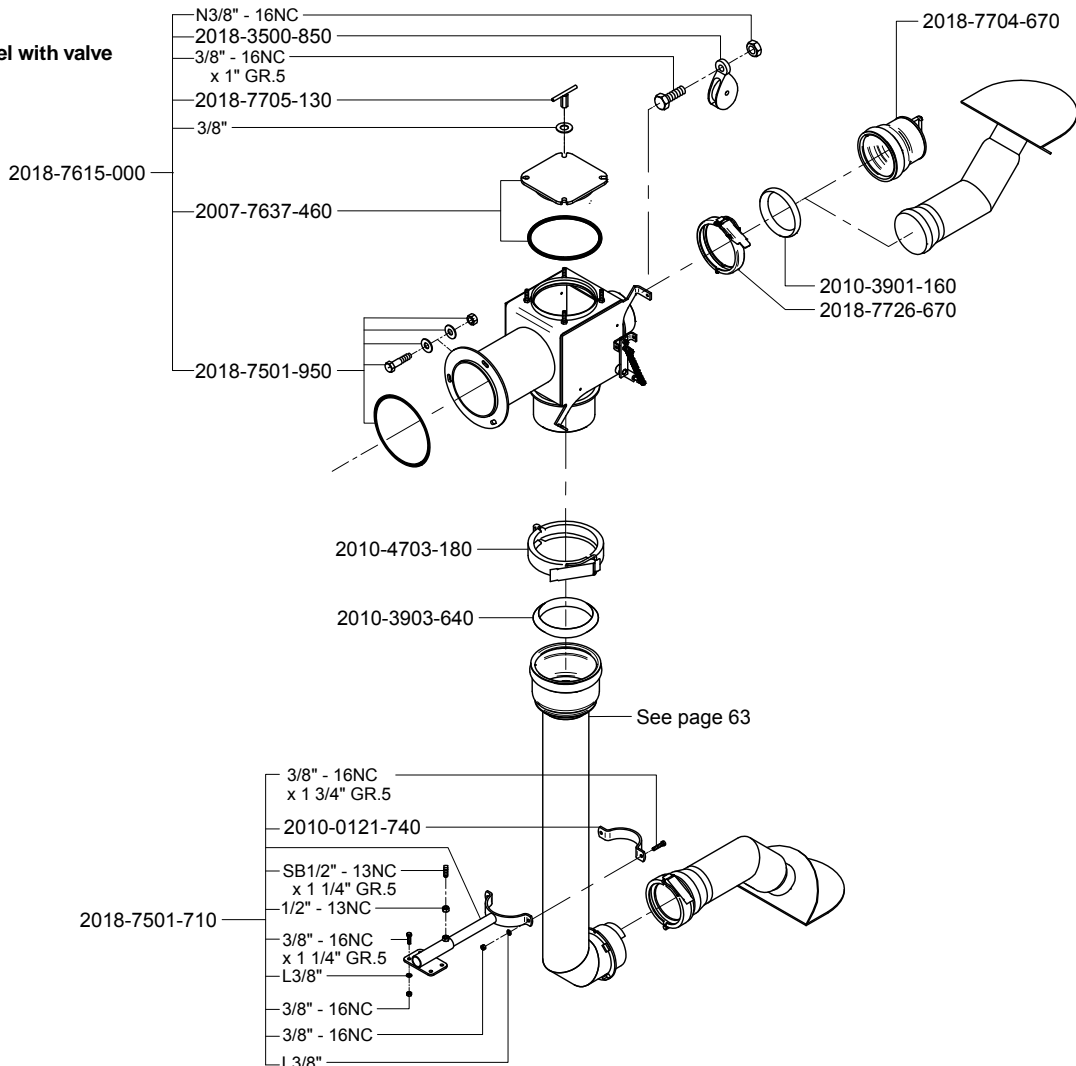
Model without valve



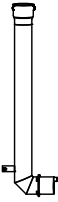
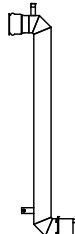
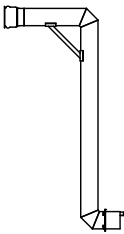
Model with tool bar

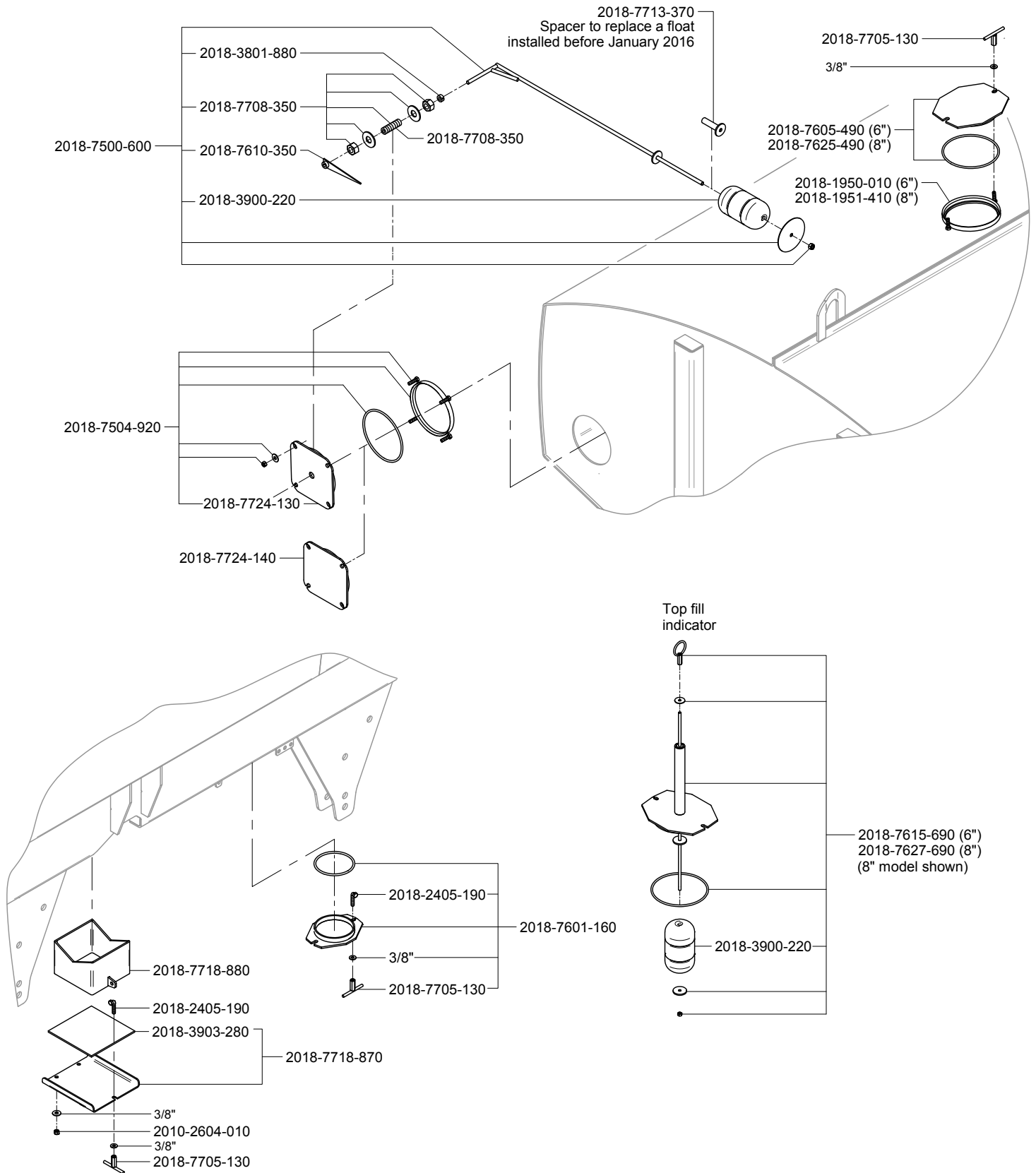


Model with valve

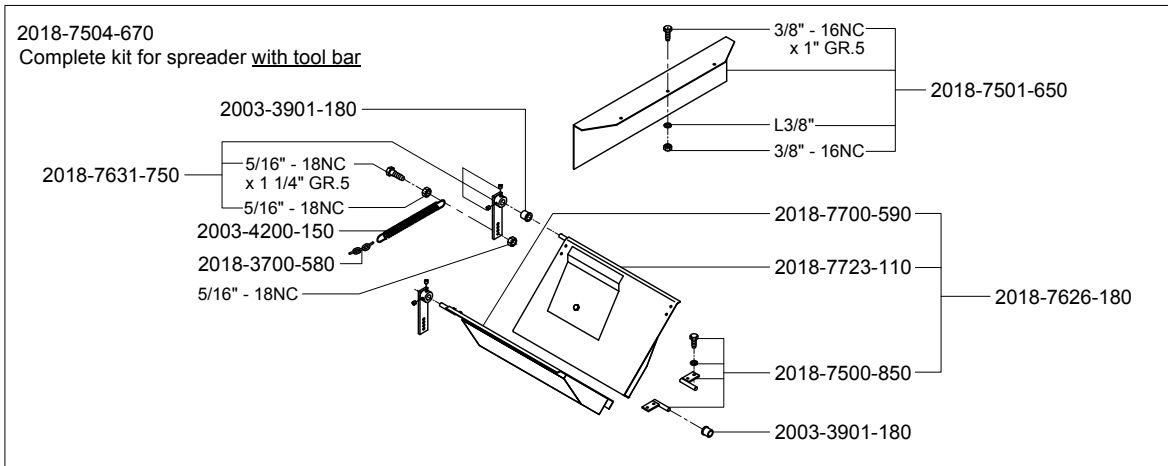
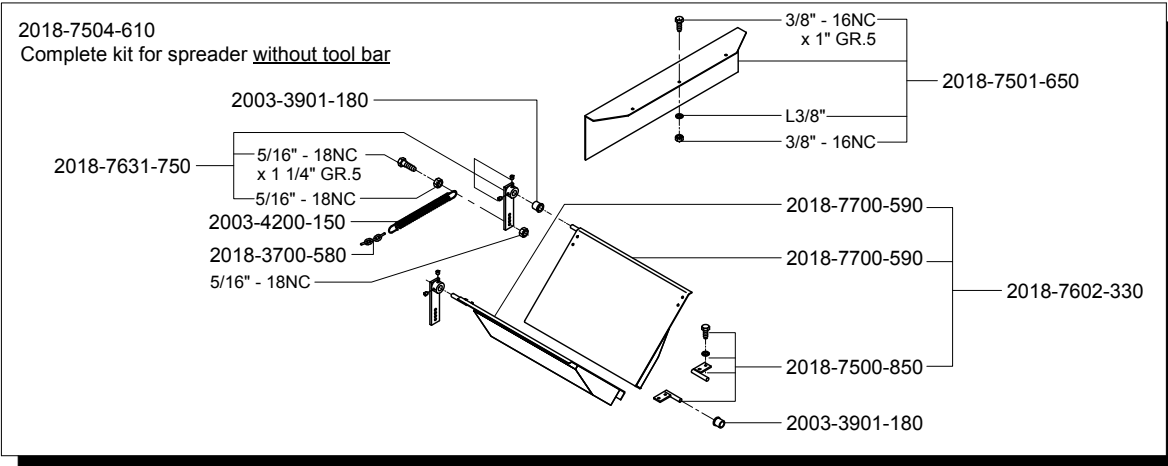
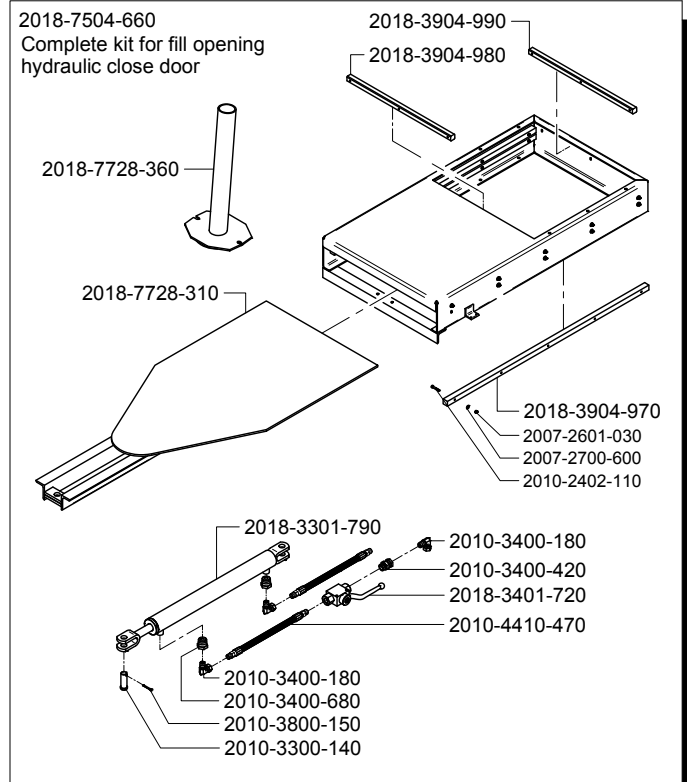
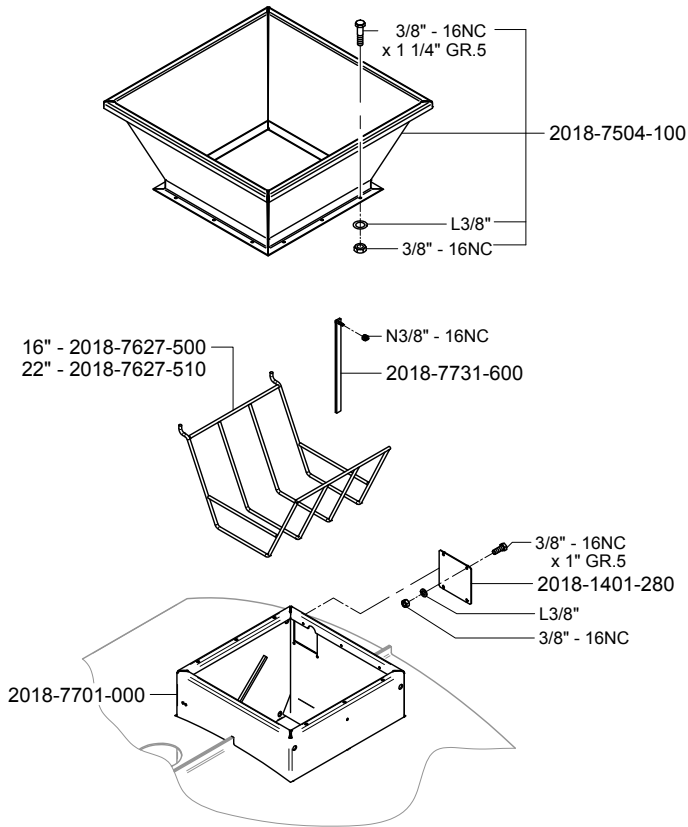


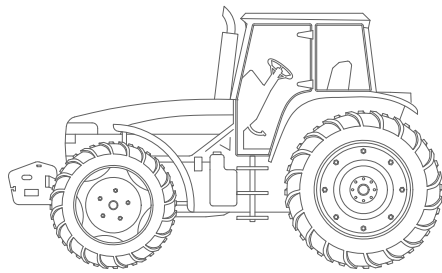
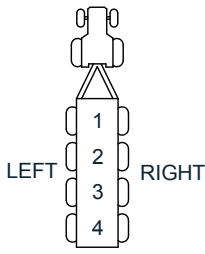
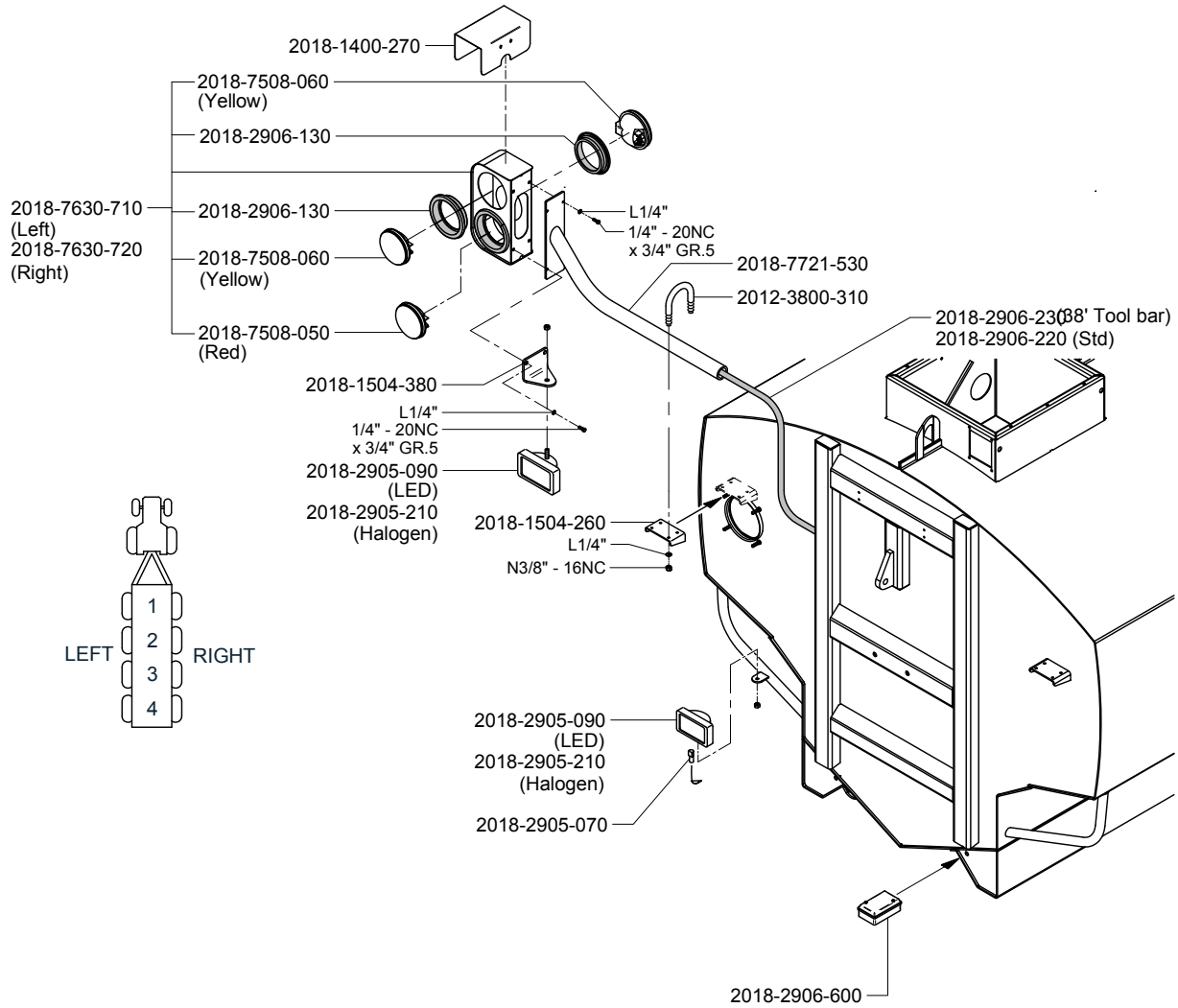
**SPREADING NOZZLE PIPE CHART
FOR 8" DISCHARGE PIPE**

Spreader model	Gallon (UK)	Gallon (US)	Liter	With valve	Without valve	With tool bar
						
EL48-4D-3600	3600	4300	16350	2018-7602-000	2018-7602-020	2018-7602-010
EL48-4D-4000	4000	4800	18200			
EL48-4D-4400	4400	5300	20000			
EL48-6D-4400	4400	5300	20000	2018-7602-000	2018-7602-020	2018-7602-010
EL48-6D-4800	4800	5800	21800			
EL48-6D-5250	5250	6300	23850			
EL48-6D-5600	5600	6700	25500			
EL48-6D-6000	6000	7200	27275			
EL48-6D-6100	6100	7300	27750			
EL48-8D-7900	7900	9500	35900	2018-7602-140	2018-7602-180	2018-7602-160
EL48-8D-8800	8800	10500	40000			

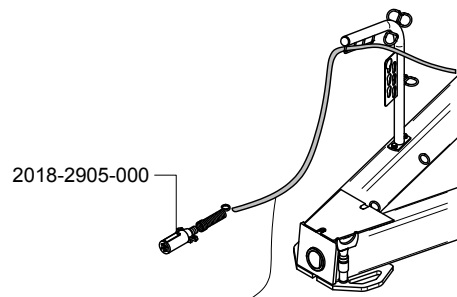
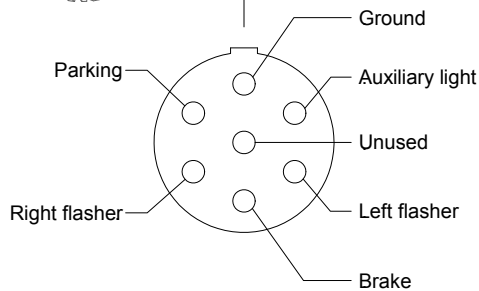


FILL OPENING

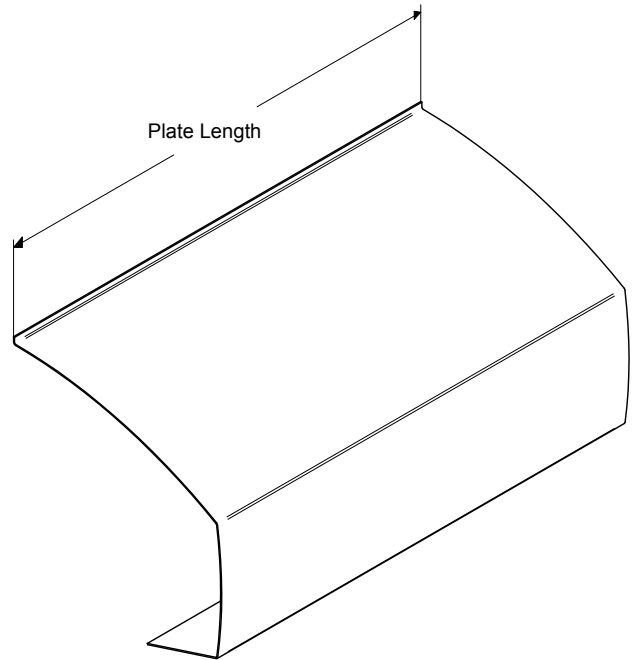
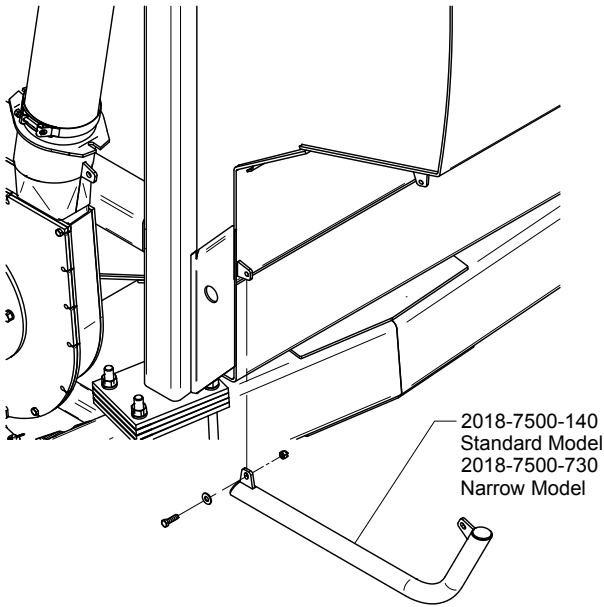




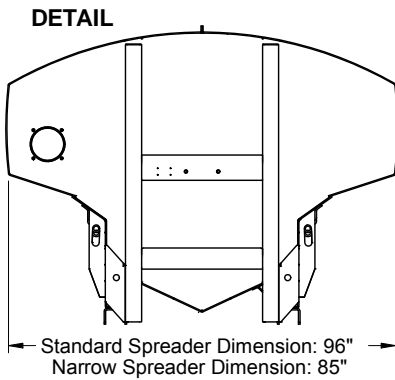
Tractor Electric Outlet



Signal light cable (plug not included)	
Spreader length	Part number
12' - 16'	2018-2906-170
18' - 20'	2018-2906-180
22' - 24'	2018-2906-190
28'	2018-2906-200
30' - 32'	2018-2906-210
36'	2018-2905-260



STANDARD SPREADER (See detail)						
Spreader Model				Plate Length		
Spreader Model	Gallon (UK)	Gallon (US)	Liters	6 ft	8 ft	10 ft
EL48-4D-3200	3200	3850	14550	N/A	2018-1515-760	N/A
EL48-4D-3600	3600	4300	16350	N/A	2018-1515-760	2018-1515-770
EL48-4D-4000	4000	4800	18200	N/A	N/A	2018-1515-770
EL48-4D-4350	4350	5250	19750	N/A	N/A	2018-1515-740
EL48-6D-3600	3600	4300	16350	N/A	2018-1515-760	2018-1515-770
EL48-6D-4000	4000	4800	18200	N/A	N/A	2018-1515-770
EL48-6D-4350	4350	5250	19750	N/A	N/A	2018-1515-740
EL48-6D-4800	4800	5800	21800	2018-1515-720	2018-1515-730	N/A
EL48-6D-5250	5250	6300	23850	N/A	2018-1515-730	N/A
EL48-6D-6100	6100	7300	27750	N/A	2018-1515-730	2018-1515-740
EL48-8D-7400	7400	8900	33650	2018-1509-380	2018-1509-340	N/A
EL48-8D-7900	7900	9500	35900	N/A	2018-1509-340	N/A



NARROW SPREADER (See Detail)						
Capacity				Plate Length		
Spreader Model	Gallon (UK)	Gallon (US)	Liters	6 ft	8 ft	10 ft
EL48-4D-2850	2850	3400	12850	N/A	2018-1511-250	N/A
EL48-4D-3200	3200	3850	14500	N/A	2018-1511-250	2018-1511-260
EL48-4D-3550	3550	4250	16100	N/A	N/A	2018-1511-260
EL48-4D-4000	4000	4800	18200	N/A	N/A	2018-1511-270
EL48-4D-4400	4400	5280	20000	2018-1511-290	2018-1511-280	N/A
EL48-6D-3550	3550	4250	16100	N/A	N/A	2018-1511-260
EL48-6D-4000	4000	4800	18200	N/A	N/A	2018-1511-270
EL48-6D-4400	4400	5280	20000	2018-1511-290	2018-1511-280	N/A
EL48-6D-4800	4800	5800	21800	N/A	2018-1511-280	N/A
EL48-6D-5600	5600	6700	25450	N/A	2018-1511-280	2018-1511-270
EL48-6D-6000	6000	7200	27250	N/A	N/A	2018-1511-270